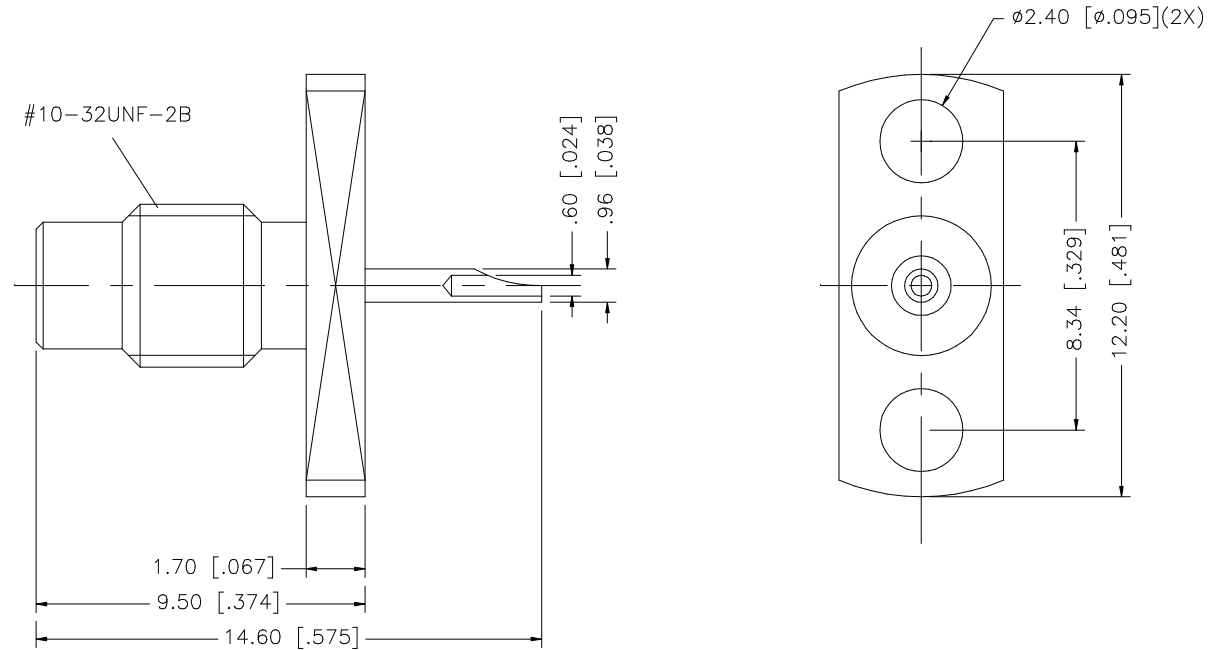


REV.	DATE	DESCRIPTION
NC	12/09/03	INITIAL RELEASE



8					<small>UNLESS OTHERWISE SPECIFIED DIMENSIONS ARE IN MILLIMETERS. DIMENSIONS IN [] ARE IN INCHES AND FOR CUSTOMER REFERENCE ONLY.</small> <small>UNLESS OTHERWISE SPECIFIED TOLERANCES FOR MILLIMETERS ARE:</small> 0.5 - 8mm ± 0.20mm 8 - 30mm ± 0.40mm 30 - 120mm ± 0.50mm <small>UNLESS OTHERWISE SPECIFIED TOLERANCES FOR INCHES ARE:</small> .020 - .315 = ± 0.007" .315 - 1.180 = ± 0.015" 1.180 - 4.724 = ± 0.020"	APPROVALS	DATE	<h1 style="color: blue;">Amphenol Connex</h1>				
7				DRAWN		G.R.S.	12/09/03					
6				CHECKED				PART DESCRIPTION SMC PANEL MOUNT RECEPTACLE JACK				
5				ISSUED								
4				SHEET	1 OF 1		PART NO. 152131					
3	CONTACT PIN	BRASS	GOLD	1								
2	INSULATOR	TEFLON	NATURAL	1			DWG. NO. 152131.DWG					
1	BODY	BRASS	GOLD	1							REV. NC	
	DESCRIPTION	MATERIAL	FINISH	QTY	DO NOT SCALE DRAWING		CAD FILE		C:/152/152131.DWG			