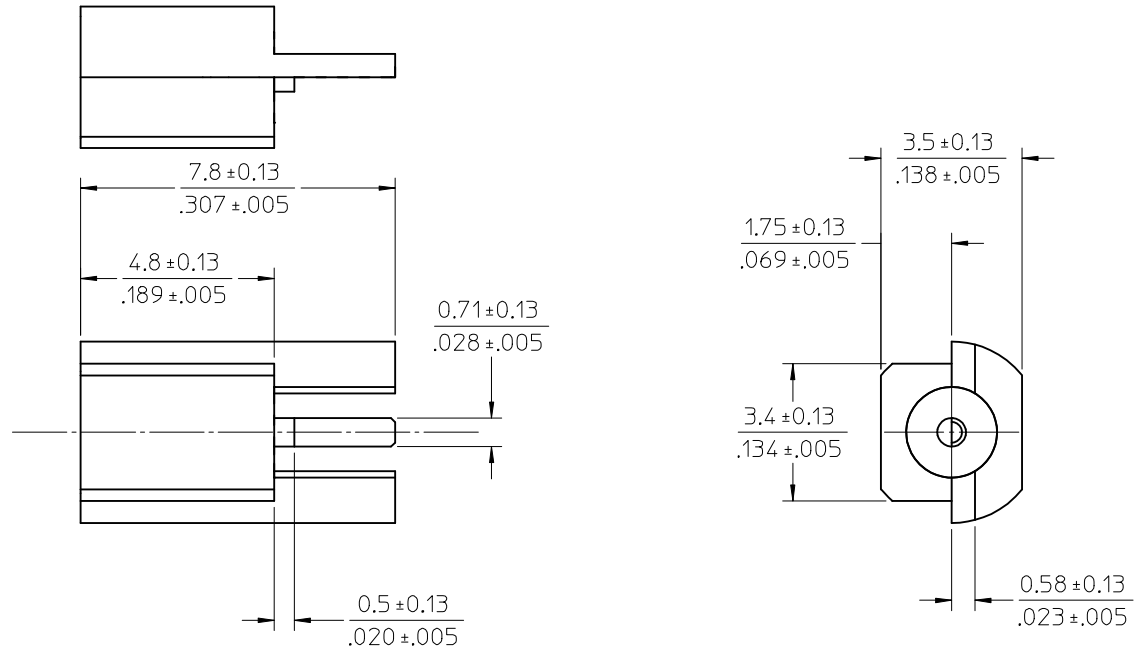
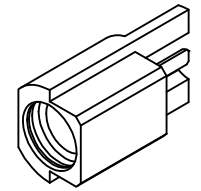


MATERIALS AND FINISHES

BODY
BRASS
PLATED GOLD

CENTER CONTACT
BERYLLIUM COPPER
PLATED GOLD

INSULATOR
TEFLON



2	ES-7599-0000-0160	INTERFACE
1	PS-89675-1910	ELECTRO/MECH PERFORMANCE
	PART	DESCRIPTION

3	73415-1262	PER COMMERCIAL REQUIREMENT	TAPE & REEL(SEE SHEET 2)
2	73415-1261	PER COMMERCIAL REQUIREMENT	TRAY
1	73415-1260	PER MILITARY REQUIREMENTS	TRAY
	PART	PLATING	PACKAGE

CHG:ADD 734151262
 WITH TAP & REEL
 ELC NO: JRF 2005-0768
 DRWN: JTSAO 2005/05/09
 CHKD: 2005/05/09
 APPR: MJIUANG 2005/05/09
 C2

QUALITY SYMBOLS
 =0
 =0
 DESCRIPTION
 REV

GENERAL TOLERANCES (UNLESS SPECIFIED)

	mm	INCH
4 PLACES	± ---	± ---
3 PLACES	± ---	± ---
2 PLACES	± 0.15	± ---
1 PLACE	± 0.25	± ---

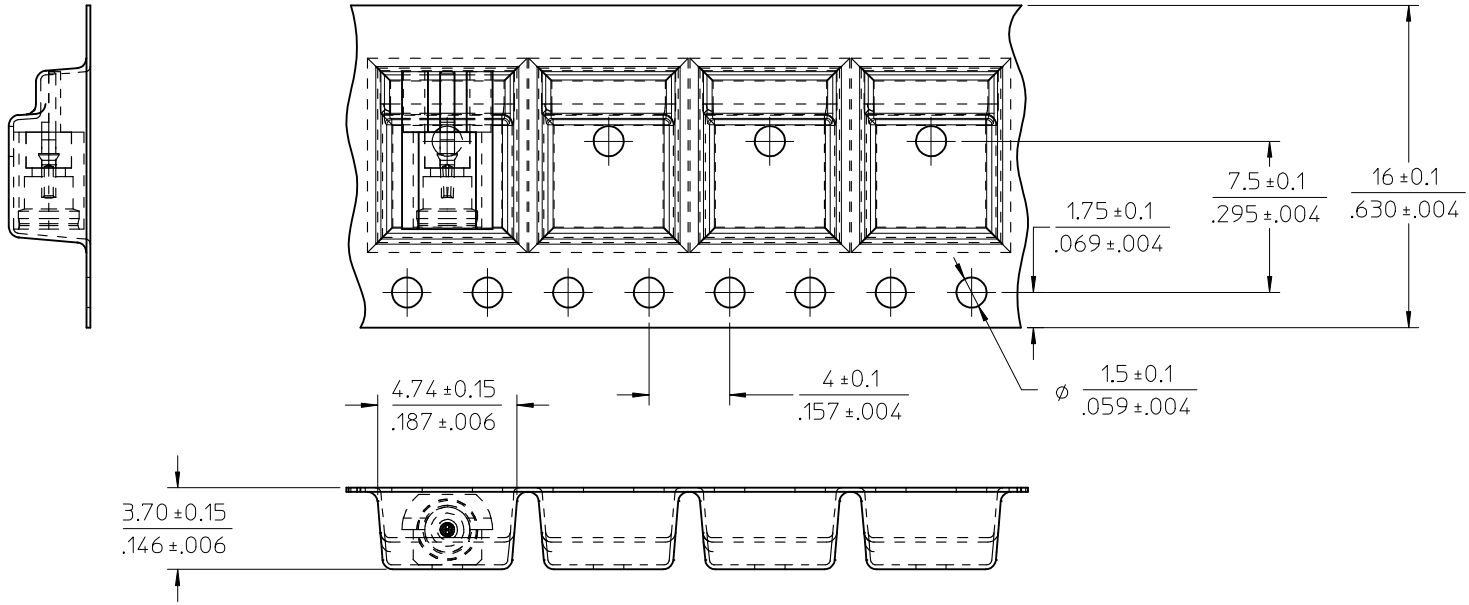
 ANGULAR ± 2 °
 DRAFT WHERE APPLICABLE
 MUST REMAIN
 WITHIN DIMENSIONS

DIMENSION STYLE
MM/IN
 DRAWN BY: JOHN
 DATE: 2005/02/14
 CHECKED BY: KERRIE
 DATE: 2005/02/14
 APPROVED BY: MISEN
 DATE: 2005/02/14
 MATERIAL NO.
SEE TABLE
 SIZE: **A3**

SCALE: **1:1**
 DESIGN UNITS: **METRIC**
 THIRD ANGLE PROJECTION
 TITLE: **MMCX JACK
EDGE LAUNCHER
MMCX-J/PCB**
molex MOLEX INCORPORATED
 DOCUMENT NO.: **SD-73415-126**
 SHEET NO.: **1 OF 2**

THIS DRAWING CONTAINS INFORMATION THAT IS PROPRIETARY TO MOLEX
 INCORPORATED AND SHOULD NOT BE USED WITHOUT WRITTEN PERMISSION

10 9 8 7 6 5 4 3 2 1



NOTES:

- 1500 CONNECTORS PER REEL ON 330mm(13 inch) REEL. 16mm TAPE, 8mm CAVITY PITCH.
- 10 PITCHS CUMULATIVE TOLERANCE $\pm 2.20(.008)$
- PART NO. 73415-1262

CHG:ADD 734151262 WITH TAP & REEL ELC NO: JRF-2005-0768 DRWN: JTSAO 2005/05/09 CHKD: 2005/05/09 APPR: MJIUANG 2005/05/09	QUALITY SYMBOLS	GENERAL TOLERANCES (UNLESS SPECIFIED)		DIMENSION STYLE	SCALE	DESIGN UNITS	THIRD ANGLE PROJECTION	
	▼=0 □=0	mm	INCH	MM/IN	1:1	METRIC		
REV	DESCRIPTION	4 PLACES	± --- ± ---	DRAWN BY	DATE	TITLE		
C2		3 PLACES	± --- ± ---	JOHN	2005/02/14	MMCX JACK EDGE LAUNCHER MMCX-J/PCB		
		2 PLACES	± 0.15 ± ---	CHECKED BY	DATE	MOLEX INCORPORATED		
		1 PLACE	± 0.25 ± ---	KERRIE	2005/02/14	MATERIAL NO. SEE SHEET 1		
			ANGULAR ± 2 °	APPROVED BY	DATE	DOCUMENT NO. SD-73415-126		
				MISEN	2005/02/14	SHEET NO. 2 OF 2		
				DRAFT WHERE APPLICABLE MUST REMAIN WITHIN DIMENSIONS				
				THIS DRAWING CONTAINS INFORMATION THAT IS PROPRIETARY TO MOLEX INCORPORATED AND SHOULD NOT BE USED WITHOUT WRITTEN PERMISSION				

9 8 7 6 5 4 3 2 1

F

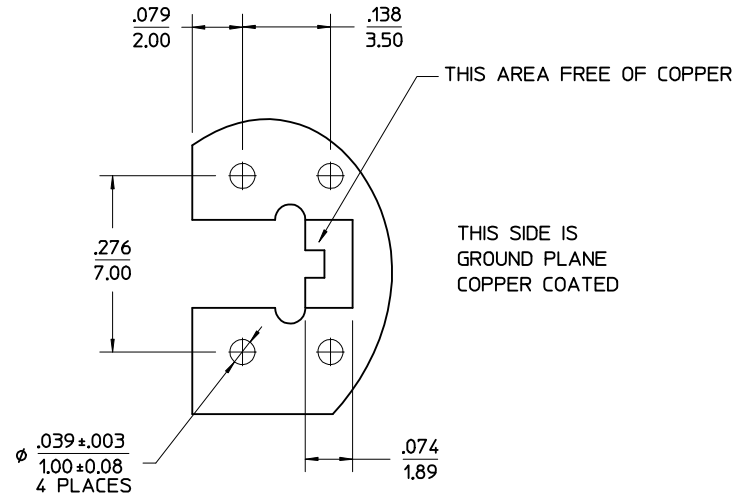
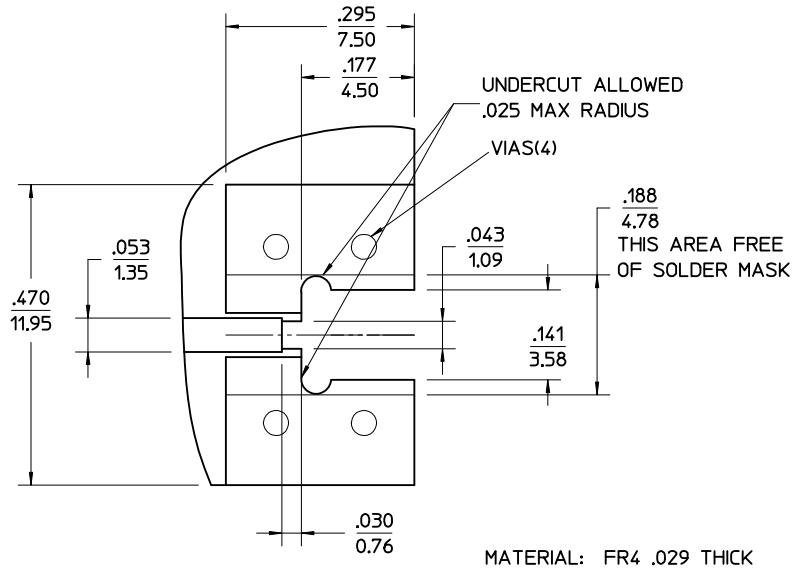
E

D

C

B

A



ENTER DESCRIPTION EC NO: URF2005-0275 DRAWN: JTSAO 2005/01/24 CHKD: JOHNSON 2005/01/27 APPR: HUANG 2005/01/27 C1	QUALITY SYMBOLS ▽=0 ▽=0	GENERAL TOLERANCES (UNLESS SPECIFIED) 4 PLACES ± --- ± --- 3 PLACES ± 0.05 ± --- 2 PLACES ± 0.08 ± --- 1 PLACE ± 0.10 ± --- ANGULAR ± 2 °	DIMENSION STYLE IN/MM DRAWN BY JOHN DATE 2004/10/04 CHECKED BY PAT DATE 2004/10/04 APPROVED BY MISEN DATE 2004/10/04	SCALE --- DESIGN UNITS METRIC THIRD ANGLE PROJECTION	TITLE MMCX JACK, EDGE LAUNCHER MMCX-J/PCB MOLEX INCORPORATED	SHEET NO. 2 OF 02
	DRAFT WHERE APPLICABLE MUST REMAIN WITHIN DIMENSIONS	MATERIAL NO. SEE TABLE DOCUMENT NO. SD-73415-126	MOLEX INCORPORATED		THIS DRAWING CONTAINS INFORMATION THAT IS PROPRIETARY TO MOLEX INCORPORATED AND SHOULD NOT BE USED WITHOUT WRITTEN PERMISSION	