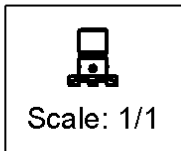
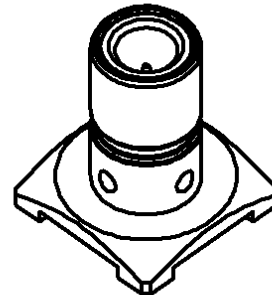
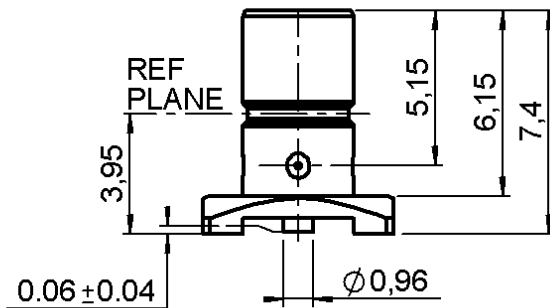
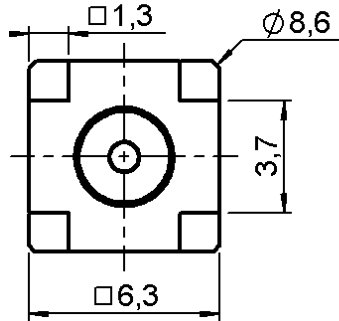


MALE STRAIGHT RECEPTACLE FOR PCB

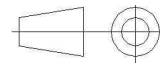
R114.424.000

SMT TYPE

Series : **SMB**



All dimensions are in mm.



COMPONENTS	MATERIALS	PLATINGS (µm)
BODY	BRASS	GOLD 0.2 OVER NICKEL 2
CENTER CONTACT	BRASS	GOLD 0.5 OVER NICKEL 2
OUTER CONTACT	-	-
INSULATOR	PTFE	-
GASKET	-	-
OTHERS PARTS	-	-
-	-	-
-	-	-

Issue : 0847 C

In the effort to improve our products, we reserve the right to make changes judged to be necessary.



MALE STRAIGHT RECEPTACLE FOR PCB

R114.424.000

SMT TYPE

Series : **SMB**

PACKAGING

SPECIFICATION

Standard	Unit	Other
100	'W' option	Contact us

ELECTRICAL CHARACTERISTICS

ENVIRONMENTAL

Impedance	50	Ω
Frequency	0-4	GHz
VSWR	1.05* + 0,0080	x F(GHz) Maxi
Insertion loss	0.03*	\sqrt{F} (GHz) dB Maxi
RF leakage	- (57)	- F(GHz)) dB mini
Voltage rating	500	Veff Maxi
Dielectric withstanding voltage	1000	Veff mini
Insulation resistance	1000	M Ω mini

Operating temperature	-65/+165	$^{\circ}$ C
Hermetic seal	NA	Atm.cm3/s
Panel leakage	NA	

OTHERS CHARACTERISTICS

Assembly instruction

Others :

* Coaxial Transmission Line Only

MECHANICAL CHARACTERISTICS

Center contact retention		
Axial force – Mating end	10	N mini
Axial force – Opposite end	10	N mini
Torque	NA	N.cm mini
Recommended torque		
Mating	NA	N.cm
Panel nut	NA	N.cm
Mating life	500	Cycles mini
Weight	0,4820	g

Issue : 0847 C

In the effort to improve our products, we reserve the right to make changes judged to be necessary.



MALE STRAIGHT RECEPTACLE FOR PCB

R114.424.000

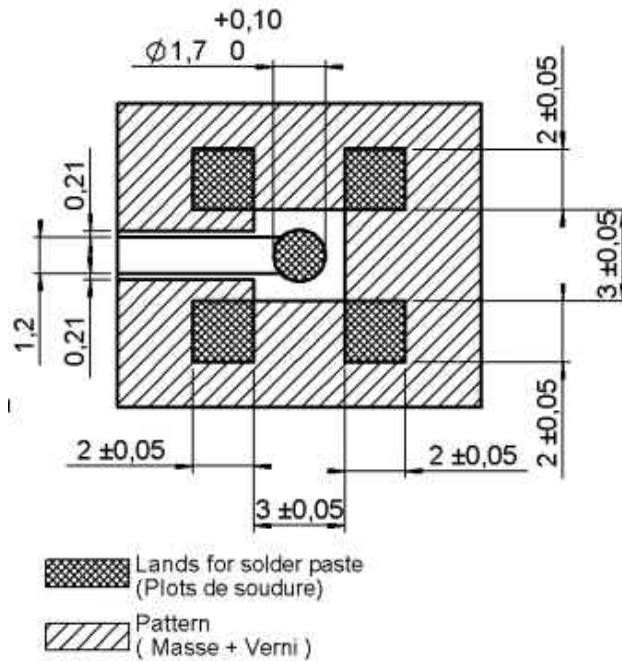
SMT TYPE

Series : **SMB**

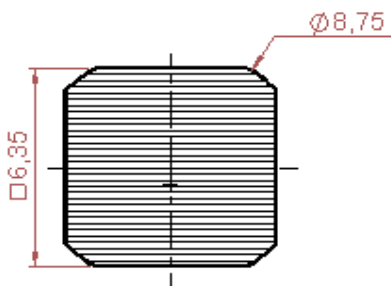
SMBSERIES – INFORMATION

Coplanar line : pattern and signal are on the same side. Thickness of PCB : 1.6 mm

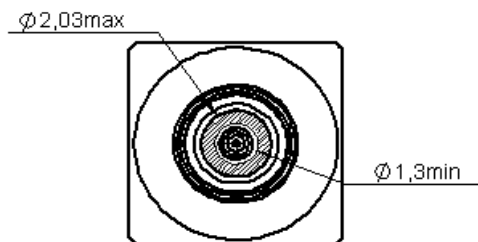
The material of PCB is the epoxy resin of glass fabrics bacs. (Er=4.8). The solder resist should be printed except for the land pattern on the PCB.



SHADOW OF SMB RECEPTACLE FOR VIDEO CAMERA



ASRIRATION AREA



ASPIRATION AREA

Issue : 0847 C

In the effort to improve our products, we reserve the right to make changes judged to be necessary.



MALE STRAIGHT RECEPTACLE FOR PCB

R114.424.000

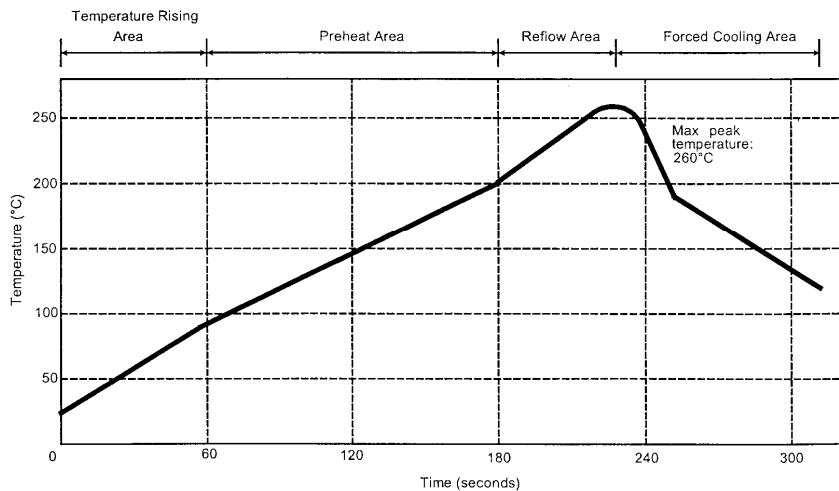
SMT TYPE

Series : **SMB**

SOLDER PROCEDURE

1. Deposit solder paste 'Sn Ag4 Cu0.5' on mounting zone by screen printing application. We recommend a low residue flux.
We advise a thickness of 150 micromm (5.850 microinch). Verify that the edges of the zone are clean.
2. Placement of the receptacle on the mounting zone with an automatic machine of 'pick and place' type.
3. Soldering by infra-red reflow.
4. Cleaning of printed circuit boards.
5. Checking of solder joints and position of the component by visual inspection.

TEMPERATURE PROFILE



Parameter	Value	Unit
Temperature rising Area	1 - 4	°C/sec
Max Peak Temperature	260	°C
Max dwell time @260°C	10	sec
Min dwell time @235°C	20	sec
Max dwell time @235°C	60	sec
Temperature drop in cooling Area	-1 to -4	°C/sec
Max dwell time above 100°C	420	sec

Issue : 0847 C

In the effort to improve our products, we reserve the right to make changes judged to be necessary.

