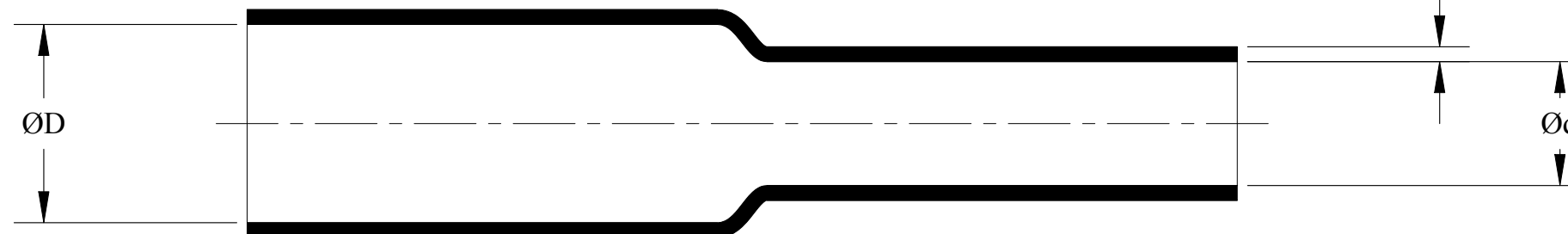
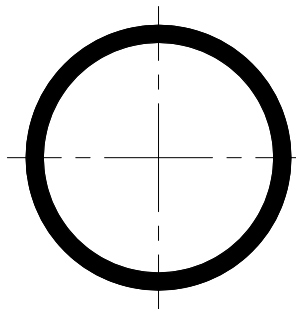


REVISIONS					
P	LTR	DESCRIPTION	DATE	DWN	APVD
	G	INITIAL RELEASE	15JUL2021	GCM	SH



Expanded as supplied


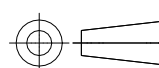
Fully recovered after heating

1. EXTRUDED TUBING IS FABRICATED FROM A MODIFIED POLYOLEFIN, CROSS LINKED BY IRRADIATION AND EXPANDED
2. EXPANDED TUBING WILL RETURN TO RECOVERED SIZE UPON BEING SUBJECTED TO TEMPERATURES IN EXCESS OF 110°C
3. TUBING SHALL BE HOMOGENOUS AND ESSENTIALLY FREE FROM FLAWS, DEFECTS, PINHOLES, SEAMS, CRACKS OR INCLUSIONS
4. TUBING TO BE FABRICATED FROM MATERIALS WHICH MEET THE REQUIREMENTS OF U.S. PHARMACOPEIA CLASS V1 PLASTICS

Size	As Supplied		Recovered			
	Inside Diameter (D)		Inside Diameter(d)		Wall Thickness (W)	
	in	mm	in	mm	in	mm
1/32	.040±.005	1.02±0.13	.013±.002	0.33±0.05	.010±.002	0.25±0.08
3/64	.055±.005	1.40±0.13	.020±.003	0.51±0.08	.016±.003	0.41±0.08
1/16	.072±.005	1.83±0.13	.027±.004	0.69±0.10	.017±.003	0.43±0.08
3/32	.107±.008	2.72±0.20	.042±.004	1.07±0.10	.020±.003	0.51±0.08
1/8	.140±.010	3.56±0.25	.057±.005	1.45±0.13	.020±.003	0.51±0.08
3/16	.205±.010	5.21±0.25	.086±.007	2.18±0.18	.020±.003	0.51±0.08
1/4	.275±.015	6.99±0.38	.117±.008	2.97±0.20	.025±.003	0.64±0.08
3/8	.415±.020	10.54±0.5	.171±.016	4.34±0.41	.025±.003	0.64±0.08

5 SAMPLE PREPARATION AND EXTRACTION IS PER USP XXII. METALS ANALYSIS MAY BE COLORIMETRIC AS DESCRIBED IN USP XXII OR BY EQUIVALENT QUANTITATIVE ANALYTICAL METHOD

6. NOT ALL PARTS LISTED IN TABLE

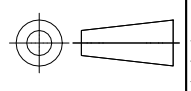
THIS DRAWING IS A CONTROLLED DOCUMENT.		DWN GANESH C M 15JUL2021	 TE Connectivity Ltd.		
DIMENSIONS: INCHES		CHK S. HSU 15JUL2021			
		APVD S. HSU 15JUL2021	NAME MT-LWA STANDARD EXPANDED TUBING PLATFORM		
TOLERANCES UNLESS OTHERWISE SPECIFIED:		PRODUCT SPEC	-		
0 PLC ± -		APPLICATION SPEC	-		
1 PLC ± .1		WEIGHT	-		
2 PLC ± .01		SIZE CAGE CODE DRAWING NO RESTRICTED TO			
3 PLC ± .005		A3 00779 C-112-0114-00 -			
4 PLC ± .0005		CUSTOMER DRAWING SCALE NONE SHEET 1 OF 3 REV G			
ANGLES ± -					
MATERIAL					
FINISH					

P	LTR	DESCRIPTION	DATE	DWN	APVD
	-	SEE SHEET 1	-	-	-

MATERIAL QUALIFICATION PROPERTIES

PROPERTY	UNIT	REQUIREMENT	TEST METHOD
DIMENSIONS	INCHES (mm)	SEE CHART	
LONGITUDINAL CHANGE	PERCENT	+0, -10 MAXIMUM	ASTM D 2671
CONCENTRICITY AS SUPPLIED	PERCENT	70 MINIMUM (2:1 EXP RATIO) 60 MINIMUM (3:1 EXP RATIO)	ASTM D 2671
TENSILE STRENGTH	PSI (MPa)	1500 MINIMUM (10.3)	ASTM D 2671,
ULTIMATE ELONGATION	PERCENT	200 MINIMUM	20"/MINUTE
2% SECANT MODULUS (EXPANDED)	PSI (MPa)	2.5 x 10 <sup>4</sup> MAXIMUM (172)	ASTM D 2671
HEAT RESISTANCE 168 HOURS AT 175°C (347°F) FOLLOWED BY TEST FOR: ULTIMATE ELONGATION	PERCENT	100 MINIMUM	ASTM D 2671, 20"/MINUTE
ELECTRICAL DIELECTRIC STRENGTH	VOLTS/MIL (kV/mm)	500 MINIMUM (19.7)	ASTM D 2671
DIELECTRIC WITHSTAND 3000V, 60Hz	sec	60 MINIMUM	ASTM D 2671
CHEMICAL FLUID RESISTANCE 24 HOURS AT 23±3°C (73±5°F) ISOPROPYL ALCOHOL 5% SALINE SOLUTION CIDEX* FOLLOWED BY TESTS FOR: DIELECTRIC STRENGTH	VOLTS/MIL (kV/mm)	400 MINIMUM (15.7)	ASTM D 2671
TENSILE STRENGTH	PSI (MPa)	1000 MINIMUM (6.9)	ASTM D 2671
HEAVY METALS ANALYSIS CADMIUM MERCURY LEAD BISMUTH ANTIMONY	PPM	1 MAXIMUM (TOTAL OF ALL METALS)	USP XXII PHYSICOCHEMICAL TESTS-PLASTIC  5

\*TRADEMARK OF JOHNSON & JOHNSON COMPANY


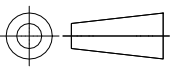
THIS DRAWING IS A CONTROLLED DOCUMENT.		DWN GANESH C M 15JUL2021	<b>STE</b> TE Connectivity Ltd.			
		CHK S. HSU 15JUL2021				
DIMENSIONS: INCHES		APVD S. HSU 15JUL2021	NAME MT-LWA STANDARD EXPANDED TUBING PLATFORM			
		PRODUCT SPEC	-			
		APPLICATION SPEC	-			
MATERIAL	FINISH	WEIGHT	SIZE	CAGE CODE	DRAWING NO	RESTRICTED TO
-	-	-	A3	00779	C-112-0114-00	-
CUSTOMER DRAWING			SCALE	SHEET	REV	
			NONE	2 OF 3	G	

REVISIONS

P	LTR	DESCRIPTION	DATE	DWN	APVD
-	-	SEE SHEET 1	-	-	-

EXPANSION RATIO DIMENSIONS (MIN/MAX)

STANDARD SIZES	AS SUPPLIED		RECOVERED			
	INSIDE DIAMETER MINIMUM (D)		INSIDE DIAMETER MAXIMUM (d)		WALL THICKNESS (W)	
SIZE	INCH	mm	INCH	mm	INCH	mm
.032	.032	0.81	.011	0.28	.010±.002	0.25±0.05
.047	.053	1.35	.013	0.33	.012±.002	0.31±0.05
.063	.063	1.60	.021	0.53	.016±.002	0.41±0.05
.078	.078	1.98	.025	0.64	.016±.002	0.41±0.05
.094	.094	2.39	.031	0.79	.020±.003	0.51±0.08
.110	.110	2.79	.034	0.86	.020±.003	0.51±0.08
.125	.125	3.18	.042	1.07	.020±.003	0.51±0.08
.188	.188	4.78	.063	1.60	.020±.003	0.51±0.08
.250	.250	6.35	.083	2.11	.025±.003	0.64±0.08
.375	.375	9.53	.125	3.18	.025±.003	0.64±0.08

THIS DRAWING IS A CONTROLLED DOCUMENT.		DWN GANESH C M 15JUL2021	 TE Connectivity Ltd.			
DIMENSIONS: INCHES		CHK S. HSU 15JUL2021				
		APVD S. HSU 15JUL2021	NAME MT-LWA STANDARD EXPANDED TUBING PLATFORM			
TOLERANCES UNLESS OTHERWISE SPECIFIED:		PRODUCT SPEC -	-			
0 PLC ± - 1 PLC ± .1 2 PLC ± .01 3 PLC ± .005 4 PLC ± .0005 ANGLES ± -		APPLICATION SPEC -	-			
MATERIAL -	FINISH -	WEIGHT -	SIZE A3	CAGE CODE 00779	DRAWING NO C-112-0114-00	RESTRICTED TO -
CUSTOMER DRAWING			SCALE NONE	SHEET 3 OF 3	REV G	