

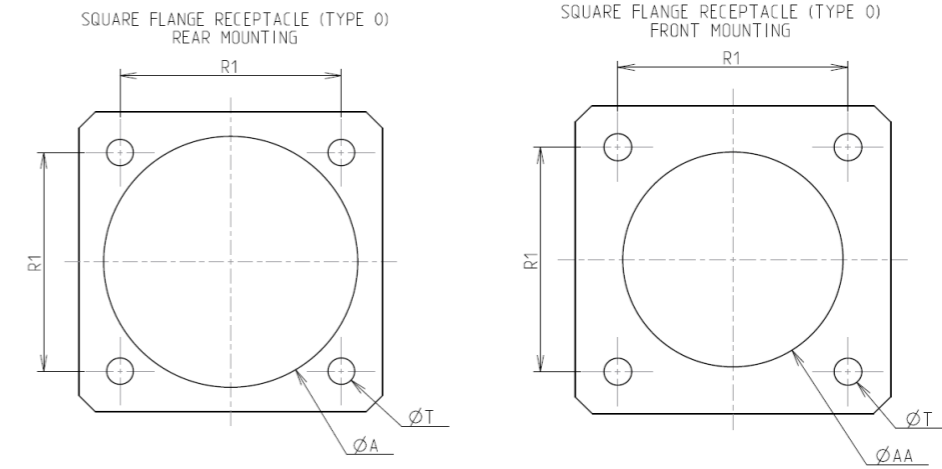
Contact Layout



| Contacts (Insert arrangement 13-98) | | |
|--|-------------|-------------|
| Contact position ID | Location | |
| | X-axis (mm) | Y-axis (mm) |
| A | +000 (0.00) | +195 (4.95) |
| B | +125 (3.18) | +150 (3.81) |
| C | +193 (4.90) | +030 (0.76) |
| D | -104 (4.17) | -105 (2.67) |
| E | +000 (0.00) | -135 (3.43) |
| F | -164 (4.17) | -105 (2.67) |
| G | -193 (4.90) | +030 (0.76) |
| H | -125 (3.18) | +150 (3.81) |
| J | +065 (1.65) | -015 (0.38) |
| K | -065 (1.65) | -015 (0.38) |

| Shell size | Arrangement no. | Number of contacts | Size contacts | Service rating | Contact location | Supersedes |
|------------|-----------------|--------------------|---------------|----------------|------------------|------------|
| 13 | -98 | 10 | 20 | I | All | MS20051-98 |

Panel Cutout



| Dim | Nominal |
|-----|------------|
| ØA | 23.42 min |
| ØAA | 19.05 min |
| R1 | 23.01 |
| ØT | 3.25 ±0.13 |

SOURIAU shall not be liable for any non-conformity or damage due to a use of the Products which does not comply with the Specifications issued by either of the Parties or by a third party (professional recommendation, technical notice.)

| Country | Jurisdiction & Control List |
|---------|-----------------------------|
| FR | Not Listed |

PN: 8D013J98HB

| | | | |
|----------------|---------------------------------------|----------------------------|---|
| A | 15-10-2016 | First Release | |
| ISS | DATE | Latest modification - by | MOD N° |
| Designed By: | | Date: | CUSTOMER DRAWING |
| TITLE | Composite Receptacle 8D series | | |
| SCALE | | General linear Tolerances: | NPRDS / PROJECT |
| NA | | ±-- | 859 |
| SOURIAU | WWW.SOURIAU.COM | | This document is the property of SOURIAU it must not be reproduced or communicated without permission |
| FORMAT | SOURIAU DRG N° 8D013J98HB-C | | SHEET 2/2 |