

PART NO.  
8-22-0127



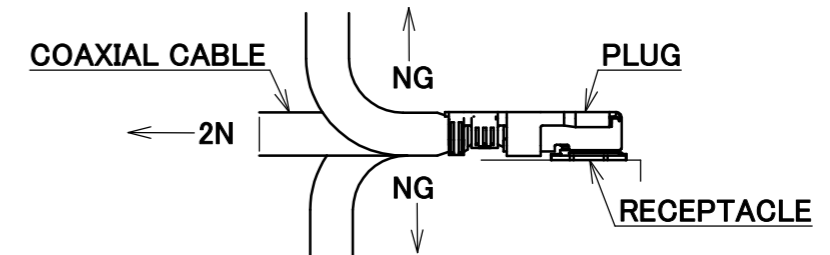
Halogen Free



RoHS Compliant

NOTES

1. ORIENTATION OF CONNECTOR  
0° ±45°
2. CABLE CRIMP STRENGTH : 10N
3. PACKING : BAG
4. PERMISSIBLE LOAD OF CABLE AT MATING.



5. SUGGESTIONS FOR MATING & UNMATING OPERATION.

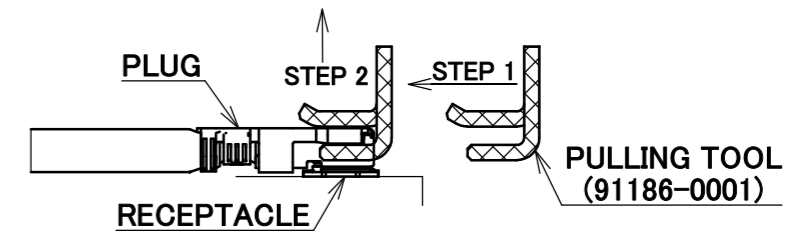
5-1. MATING

MATE THE CONNECTOR VERTICALLY AS MUCH AS POSSIBLE, ADJUSTING THE MATING AXIS OF PLUG AND RECEPTACLE. DO NOT SLANT MATE.

5-2. UNMATING

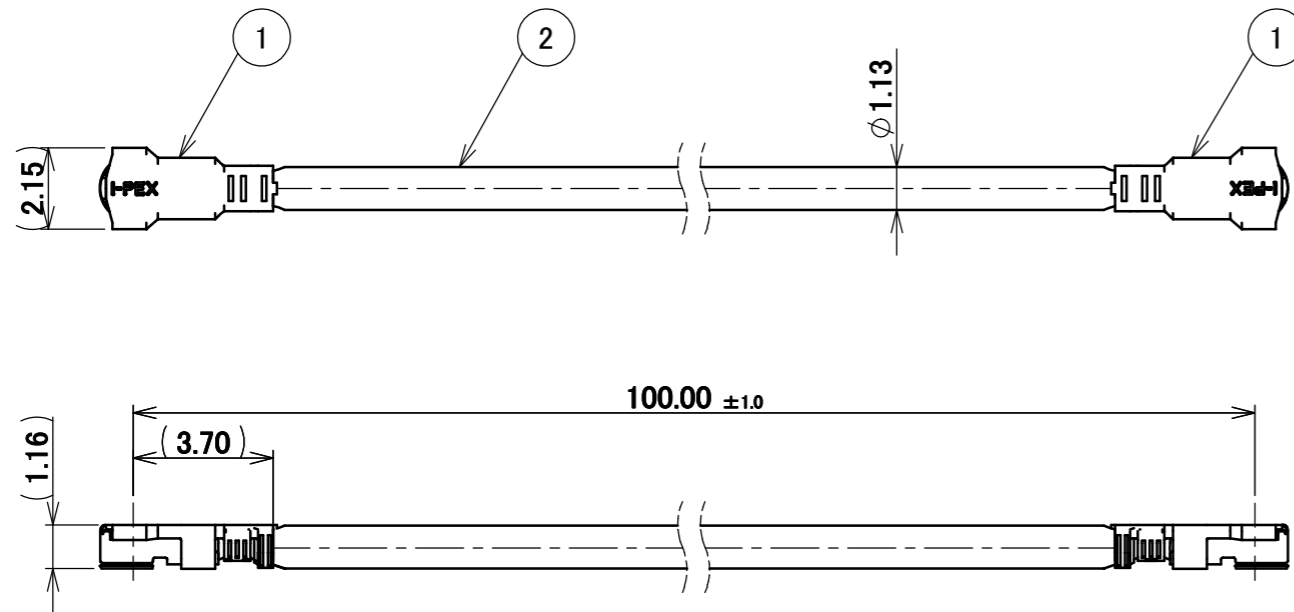
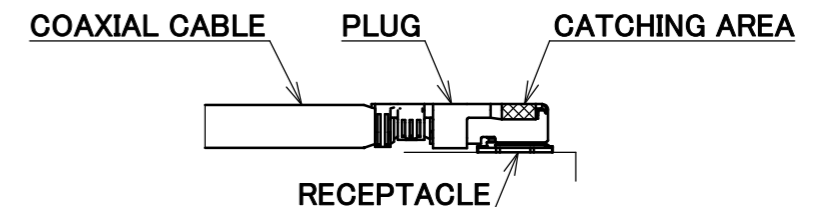
5-2-1.

IN CASE OF UNMATING BY PULLING TOOL ( P/N : 91186-0001 ). USE THE PULLING TOOL AS THE FOLLOWING DRAWING, AND PULL PLUG TO VERTICAL DIRECTION AS DIRECTLY AS POSSIBLE.



5-2-2.

IN CASE OF UNMATING DIRECTLY BY HAND. CATCH THE CATCHING AREA OF PLUG, AND PULL PLUG TO VERTICAL DIRECTION AS DIRECTLY AS POSSIBLE.



2	CABLE	1	AWG#32 Φ1.13, BRAIDED SHIELD + Cu-PET TAPE, BLACK
1	CONNECTOR-1,2	2	MHF 7S Ni-TOP
NO.	DESCRIPTION	QTY	REMARK

For DIGI-KEY ELECTRONICS

ANGLE	±2°	6 OVER 30 MAX.	±0.3	PROJECTION	SERIES No.	CUSTOMER COPY		
		6 MAX.	±0.2	30 OVER 120 MAX.	±0.5		H-2100211	
GENERAL TOLERANCE.				TITLE	SCALE			
DWG.	M.Toida	DATE	2022/03/07	MHF®	5:1			
CHK.	K.Yufu			7S-7S CABLE113-1	UNIT			
REV.	ECN	BY	DATE	APP.	mm			
0	Z220236	TOI	2022/03/07		I-PEX			
REV.	ECN	BY	DATE	APP.	DWG. No.	SIZE	SHEET	REV.
				Y.Hashimoto	8-22-0127	A3	1/1	0