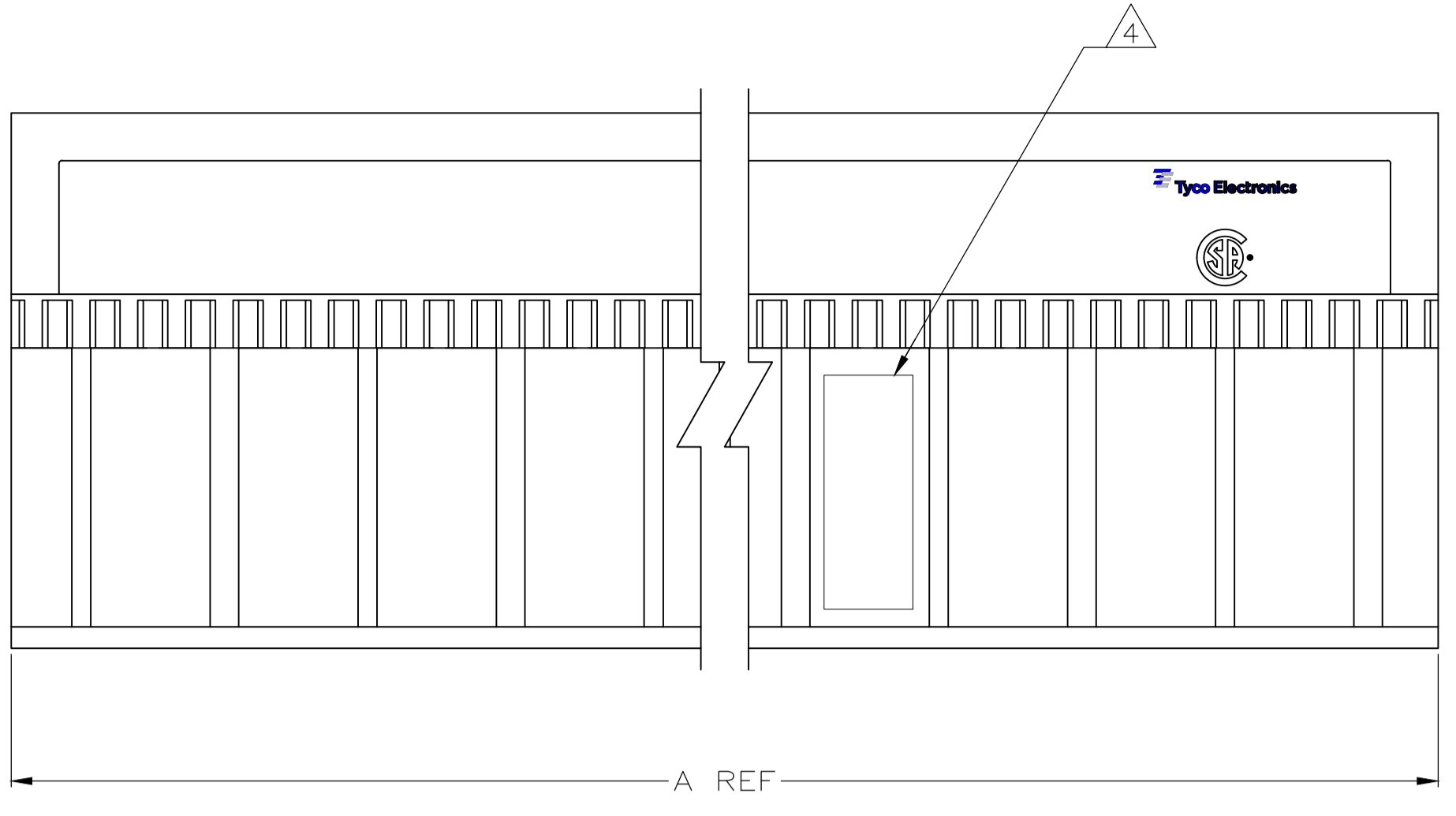
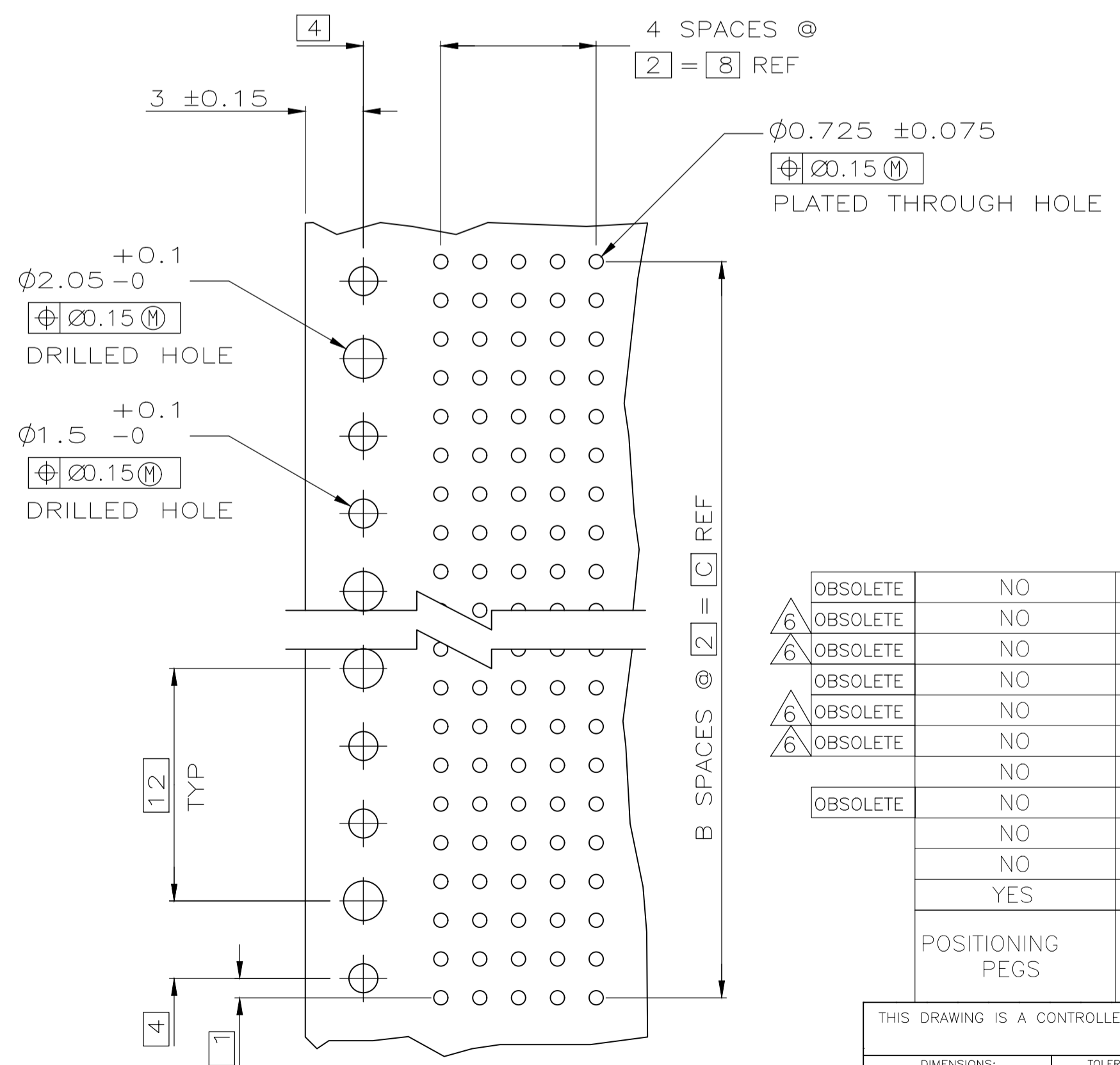
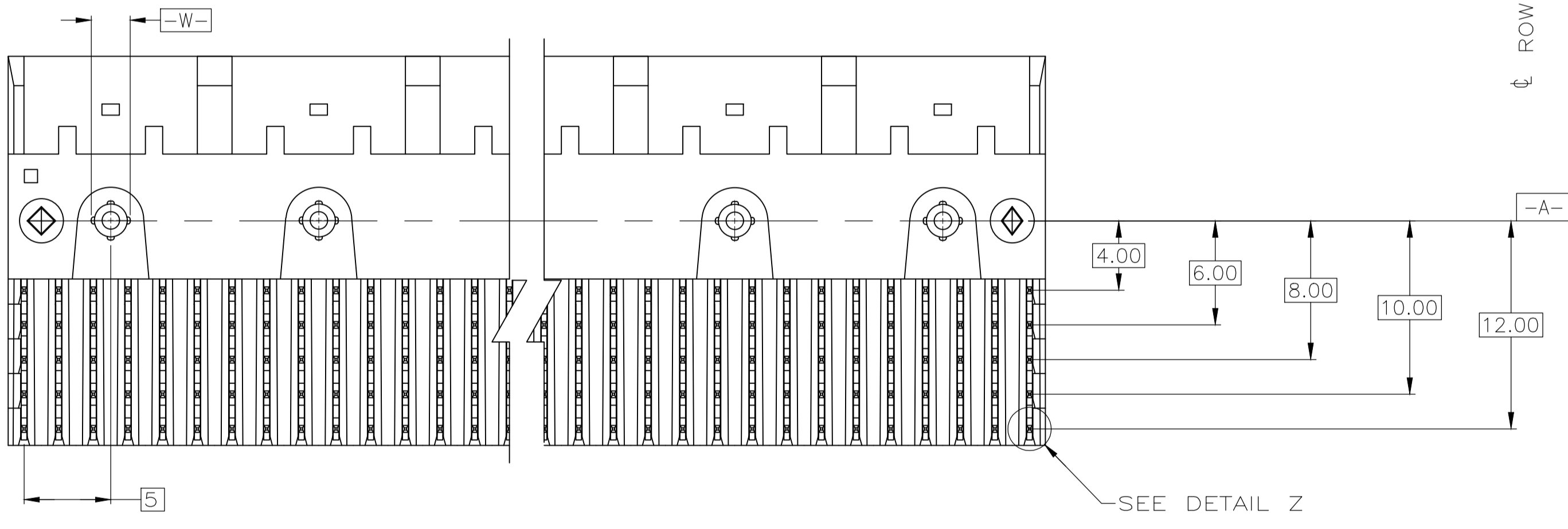
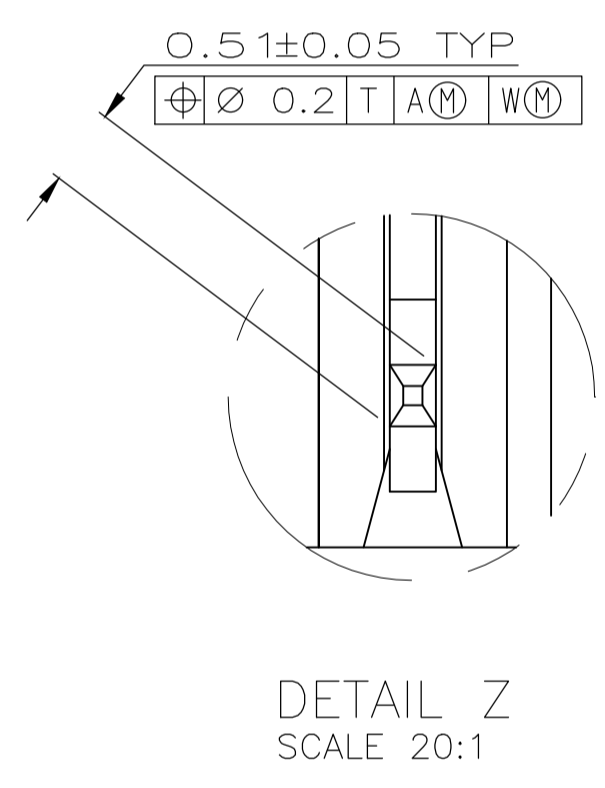
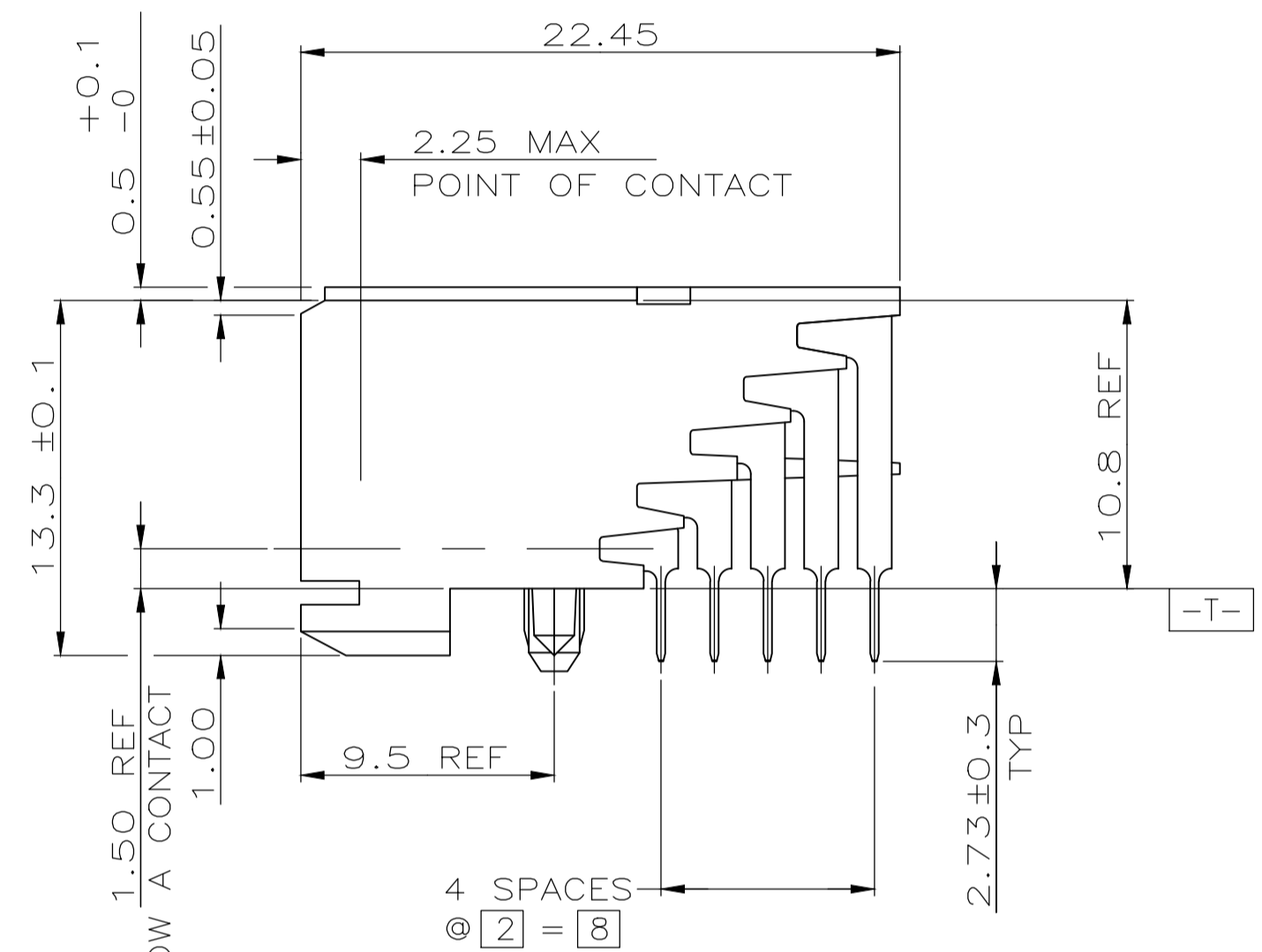
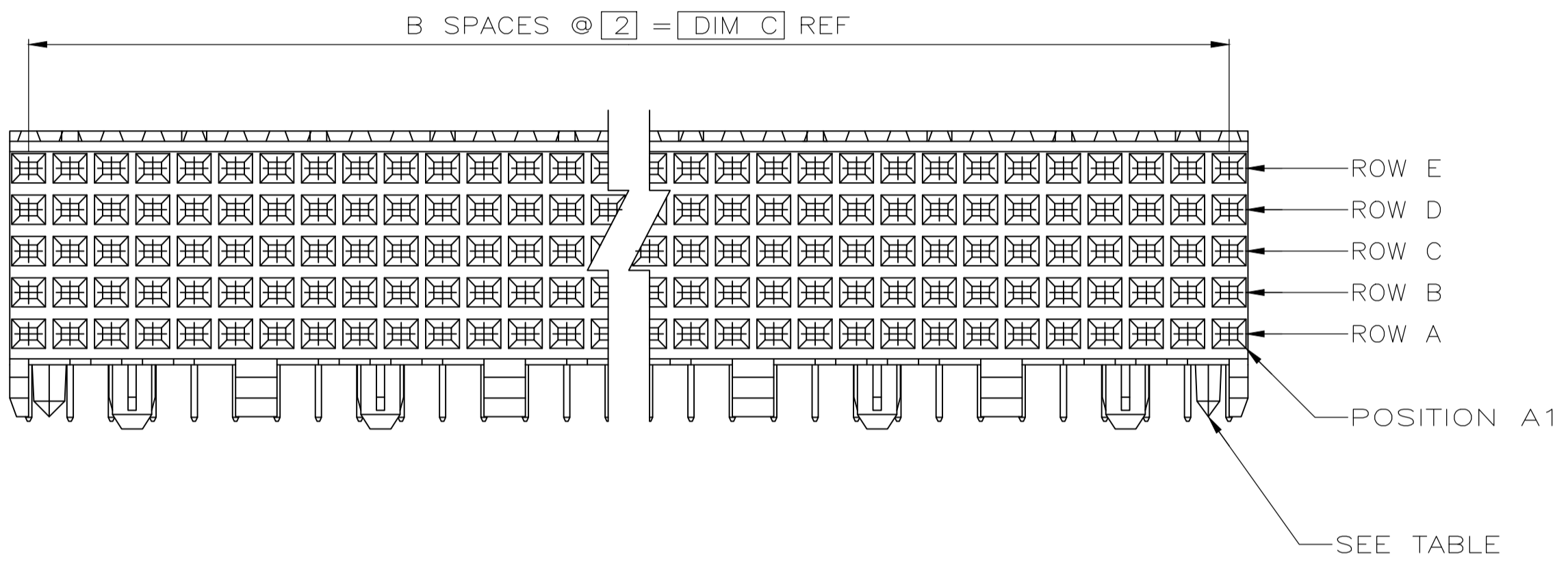


REVISIONS					
P	LTR	DESCRIPTION	DATE	DMN	APVD
M3		REVISED PER ECO-20-013368	28SEP2020	RZ	HL



- ① HOUSING MATERIAL: LIQUID CRYSTAL POLYMER
COLOR: NATURAL.
- ② CONTACT MATERIAL: PHOSPHOR-BRONZE.
- ③ CONTACT FINISH:
UNDERPLATE (ENTIRE CONTACT):
0.00127 MIN NICKEL.
ON MATING SURFACES:
CONFORMS TO ALL TESTING SPECIFIED FOR TELCORDIA UNCONTROLLED ENVIRONMENT.
ON LEADS
0.00381 MIN TIN-LEAD OVER UNDERPLATE.
LUBRICATION (ENTIRE CONTACT):
SURFACE CONDITIONER PER AMP SPEC 112-1002 AFTER PLATING.
- ④ PART MARKING LOCATED APPROXIMATELY AS SHOWN.
- ⑤ OBSOLETE PARTS: OBSOLETE CIS STREAMLINING PER D.RENAUD/D.SINISI



OBsolete	NO	130	65	131.88	③	330	1-223004-1
⑥	OBsolete	NO	118	59	119.88	③ ③	300 1-223004-0
⑥	OBsolete	NO	106	53	107.88	③	270 223004-9
⑥	OBsolete	NO	94	47	95.88	③ ③	240 223004-8
⑥	OBsolete	NO	82	41	83.88	③	210 223004-7
⑥	OBsolete	NO	70	35	71.88	③ ③	180 223004-6
	NO	58	29	59.88	③	150	223004-5
⑥	OBsolete	NO	46	23	47.88	③ ③	120 223004-4
	NO	34	17	35.88	③	90	223004-3
	NO	22	11	23.88	③ ③	60	223004-2
	YES	10	3	11.88	③	30	223004-1
POSITIONING PEGS	C	B	A	FINISH	NO OF SIGNAL POSN	PART NUMBER	

THIS DRAWING IS A CONTROLLED DOCUMENT.

APPROVED: D. SINISI 08/FEB/96

TE Connectivity

ASSEMBLY, RECEPTACLE, SIGNAL, RIGHT ANGLE, Z-PACK 2mm FB, 5 ROW, SOLDER LEAD

SIZE: A1 00779 C=223004

SCALE: 4:1 SHEET: 1 OF 1 REV: M3