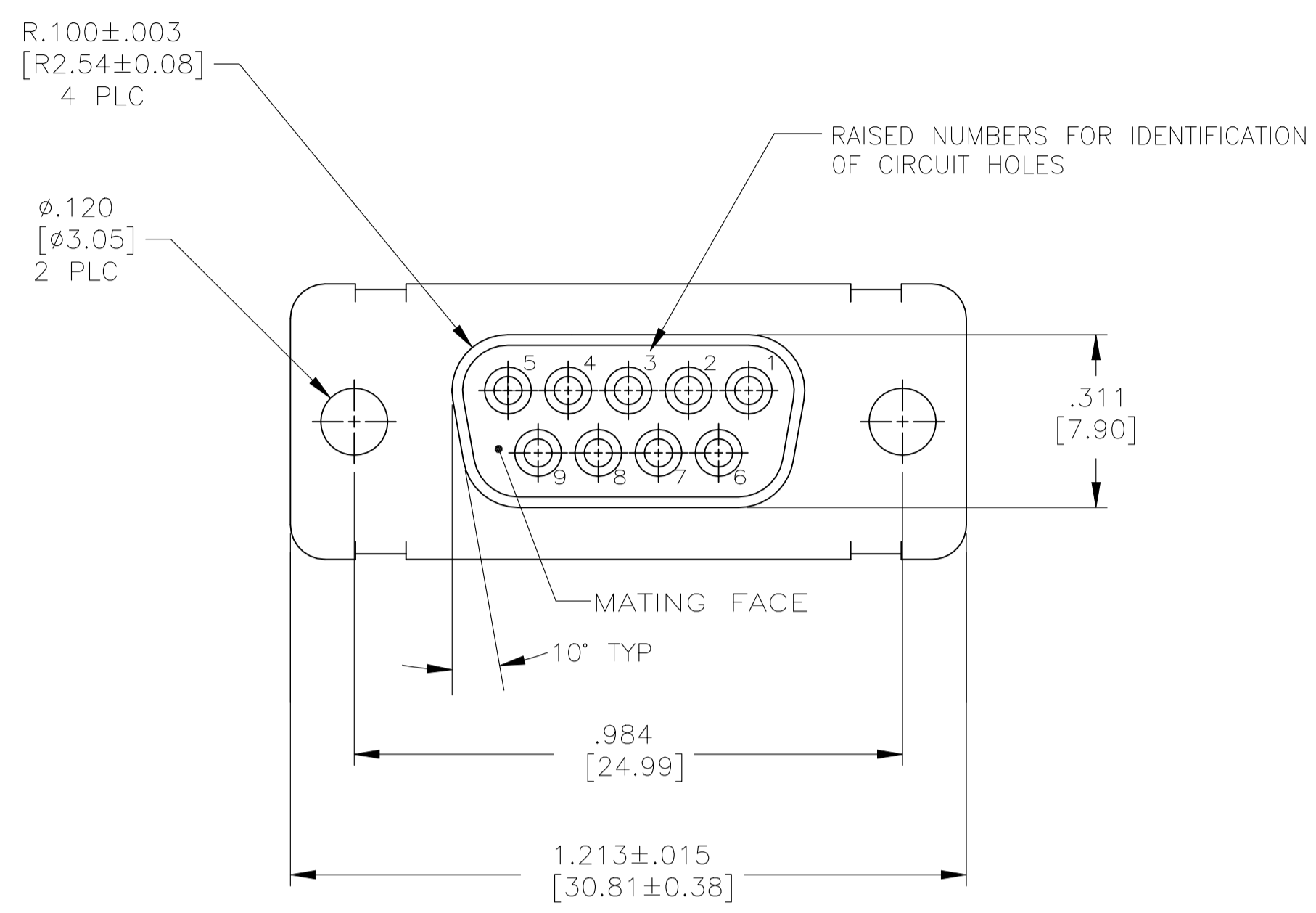
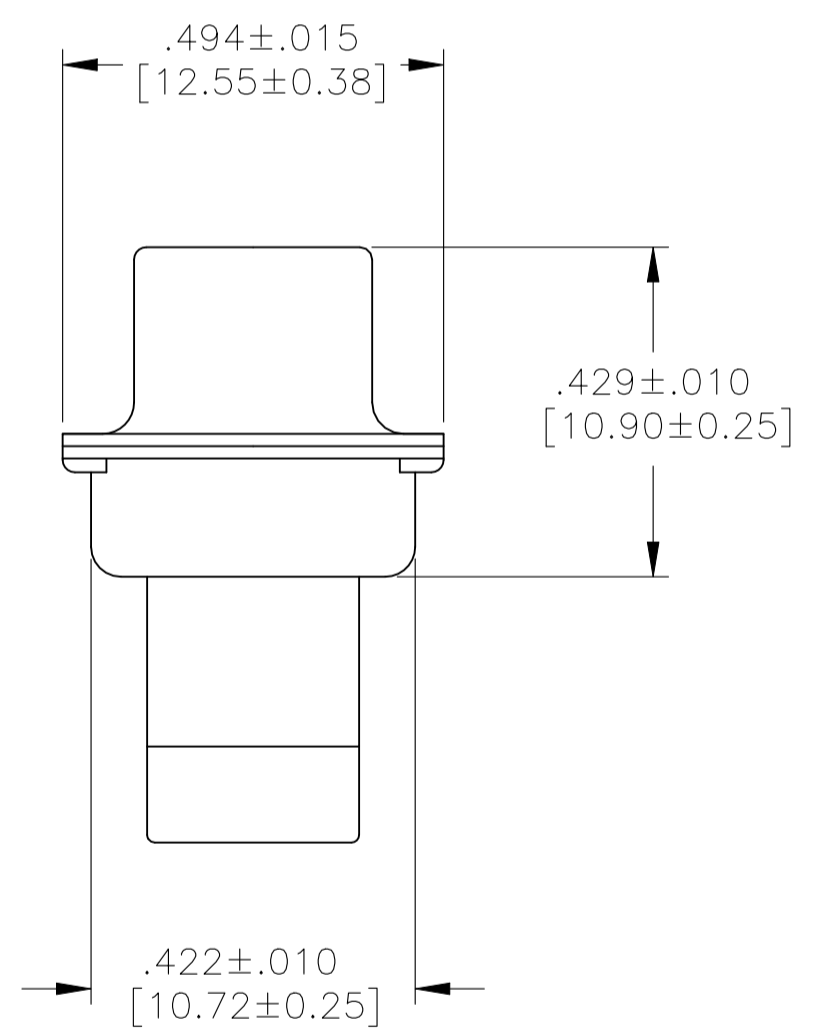
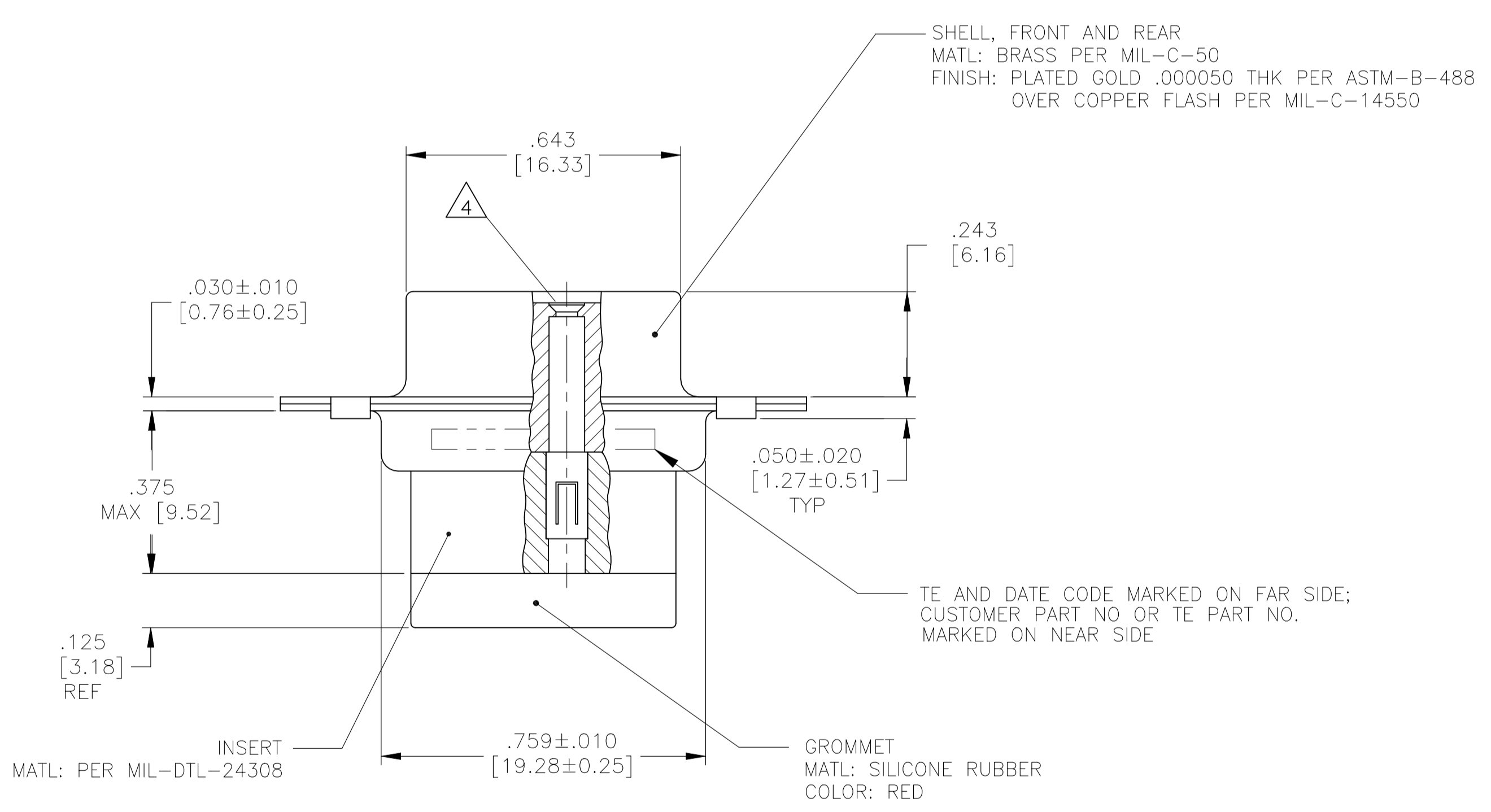


REVISIONS					
P	LTR	DESCRIPTION	DATE	DMN	APVO
K		REV PER ECO 20-006809	1-7-21	CT	DM



1. THIS RECEPTACLE WILL MATE WITH ANY 9 POSN, SIZE 1 PLUG IN AMPLIMITE SERIES
 2. MAXIMUM WIRE INSULATION USED WITH THIS RECEPTACLE IS $\phi.068$ [1.73]
 3. BE CU RETENTION CLIPS ARE INCLUDED IN INSERT
- ⚠ CONNECTOR SUPPLIED WITHOUT CONTACTS; SHOWN FOR ILLUSTRATION ONLY



OBSOLETE	1A01-021	--	211633-6
OBSOLETE	-	--	211633-5
	-	211633-4	211633-4
OBSOLETE	-	--	211633-3
OBSOLETE	2A014-036V-001	--	211633-2
	1A01-021-RHA	--	211633-1
	MARKED CUSTOMER NO	MARKED TE PART NO	PART NO.

THIS DRAWING IS A CONTROLLED DOCUMENT.

DIMENSIONS: INCHES	TOLERANCES UNLESS OTHERWISE SPECIFIED:	DIN C.C.THOMAS 12-6-90	TE Connectivity																							
<table border="1"> <tr><td>0 PLC</td><td>± .005</td></tr> <tr><td>1 PLC</td><td>± .005</td></tr> <tr><td>2 PLC</td><td>± .005</td></tr> <tr><td>3 PLC</td><td>± .005 [0.13]</td></tr> <tr><td>4 PLC</td><td>± .005</td></tr> <tr><td>ANGLES</td><td>± .005</td></tr> </table>	0 PLC	± .005		1 PLC	± .005	2 PLC	± .005	3 PLC	± .005 [0.13]	4 PLC	± .005	ANGLES	± .005	<table border="1"> <tr><td>APVD</td><td>F.KINSEY 12-6-90</td></tr> <tr><td>NAME</td><td>RCPT. ASSY.,AMPLIMITE,9 POSN,SIZE 1, SERIES 109, NON-MAG, W/GROMMET</td></tr> <tr><td>APPLICATION SPEC</td><td></td></tr> <tr><td>SIZE</td><td></td></tr> <tr><td>CAGE CODE</td><td></td></tr> <tr><td>DRAWING NO</td><td></td></tr> </table>	APVD	F.KINSEY 12-6-90	NAME	RCPT. ASSY.,AMPLIMITE,9 POSN,SIZE 1, SERIES 109, NON-MAG, W/GROMMET	APPLICATION SPEC		SIZE		CAGE CODE		DRAWING NO	
0 PLC	± .005																									
1 PLC	± .005																									
2 PLC	± .005																									
3 PLC	± .005 [0.13]																									
4 PLC	± .005																									
ANGLES	± .005																									
APVD	F.KINSEY 12-6-90																									
NAME	RCPT. ASSY.,AMPLIMITE,9 POSN,SIZE 1, SERIES 109, NON-MAG, W/GROMMET																									
APPLICATION SPEC																										
SIZE																										
CAGE CODE																										
DRAWING NO																										
MATERIAL SEE CALLOUTS	FINISH SEE CALLOUTS	WEIGHT 0.000000	<table border="1"> <tr> <td>SCALE</td> <td>4:1</td> <td>SHEET</td> <td>1 of 1</td> <td>REV</td> <td>K</td> </tr> </table>	SCALE	4:1	SHEET	1 of 1	REV	K																	
SCALE	4:1	SHEET	1 of 1	REV	K																					

CUSTOMER DRAWING