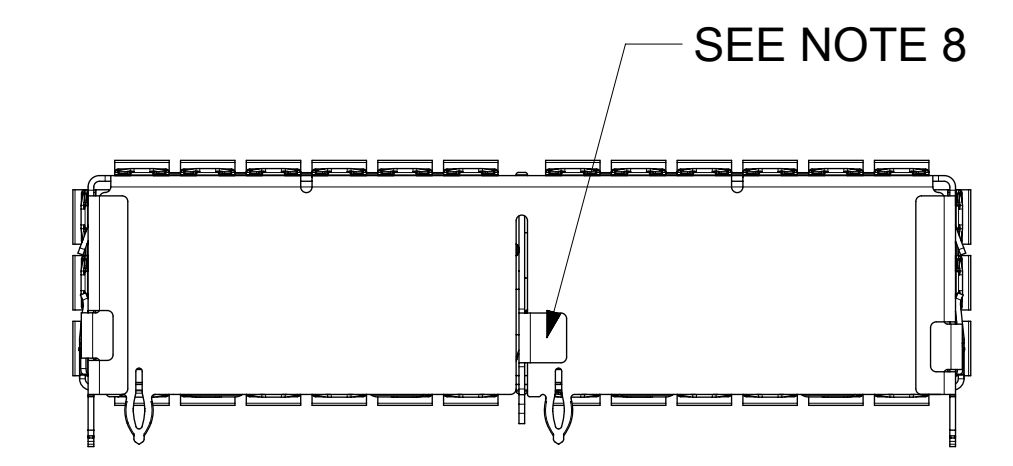
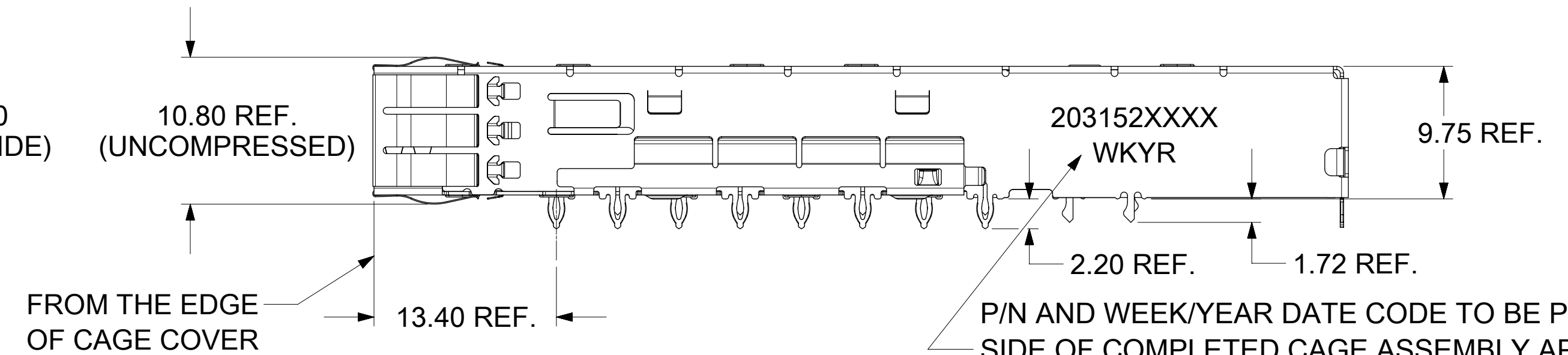
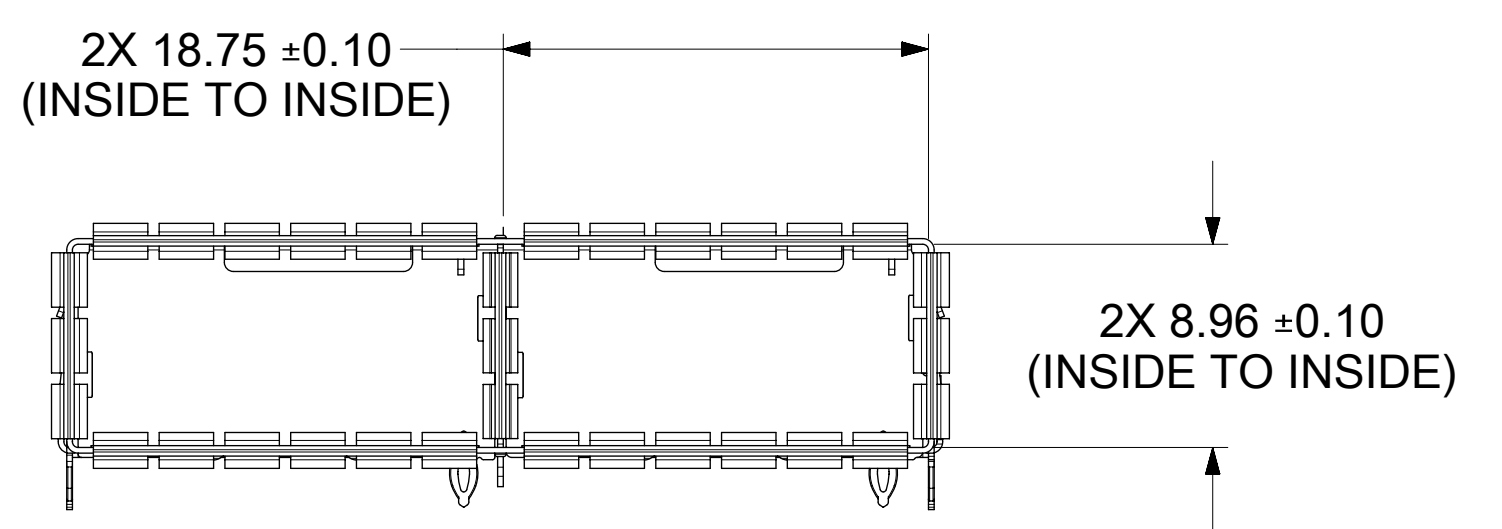
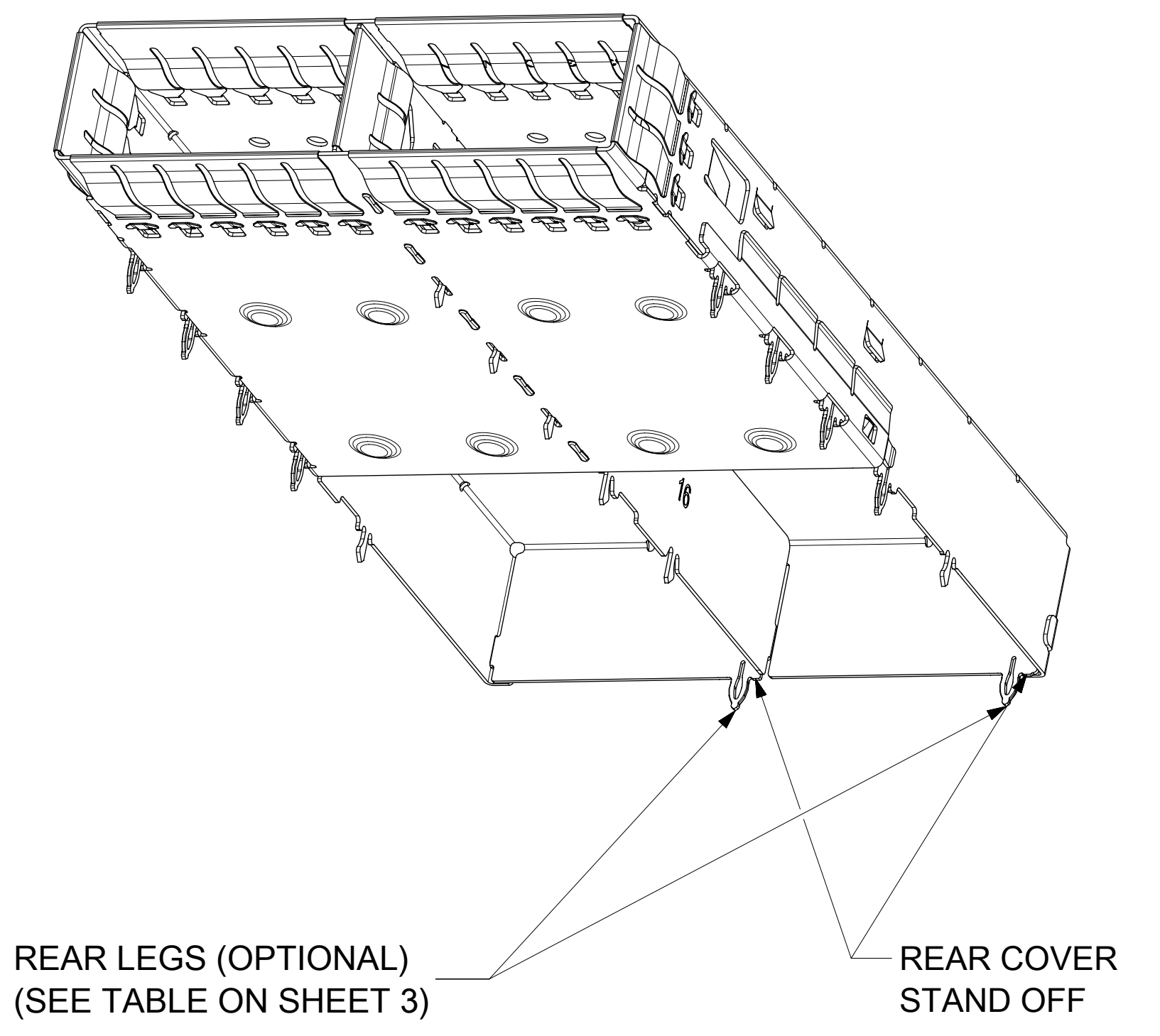
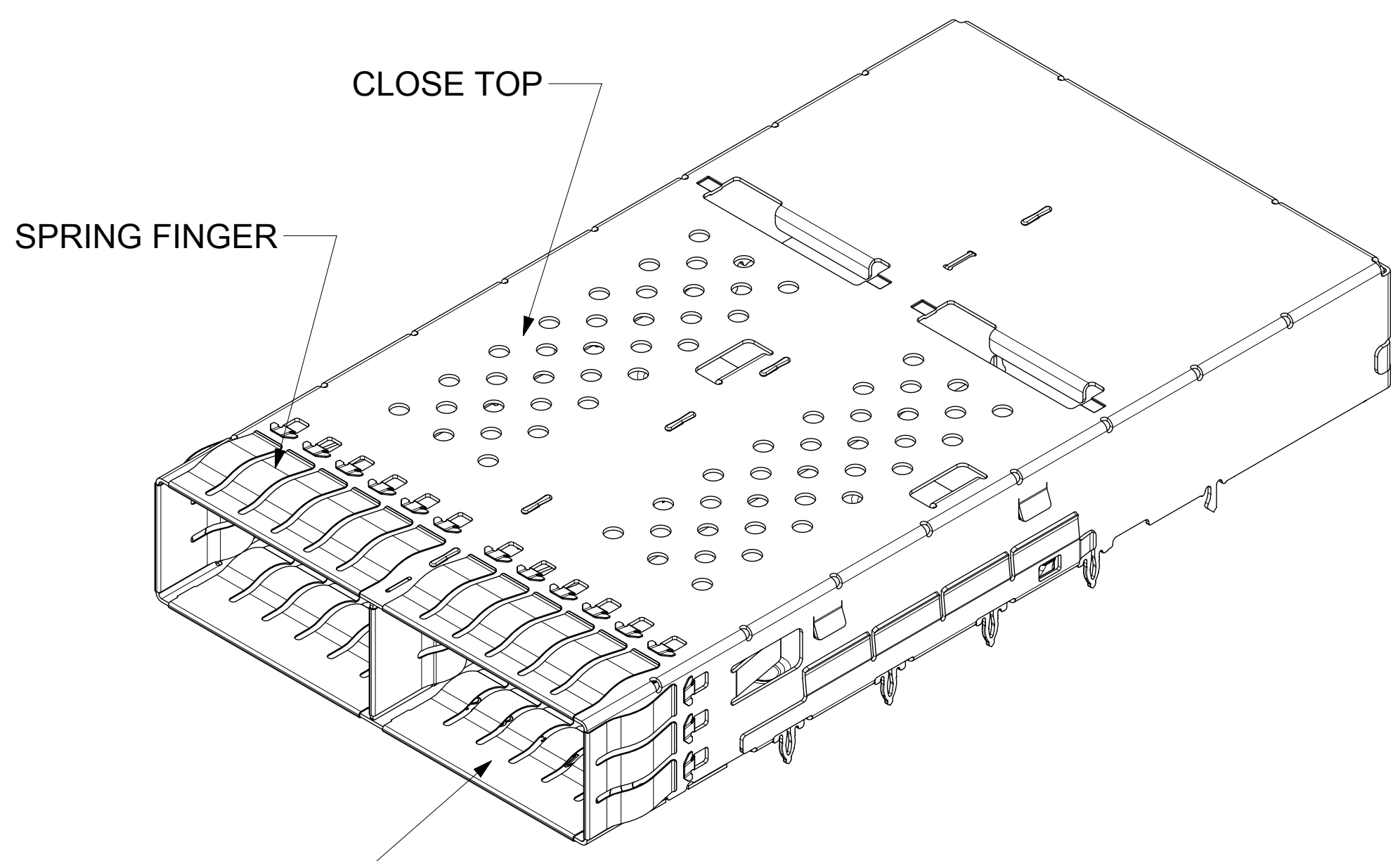
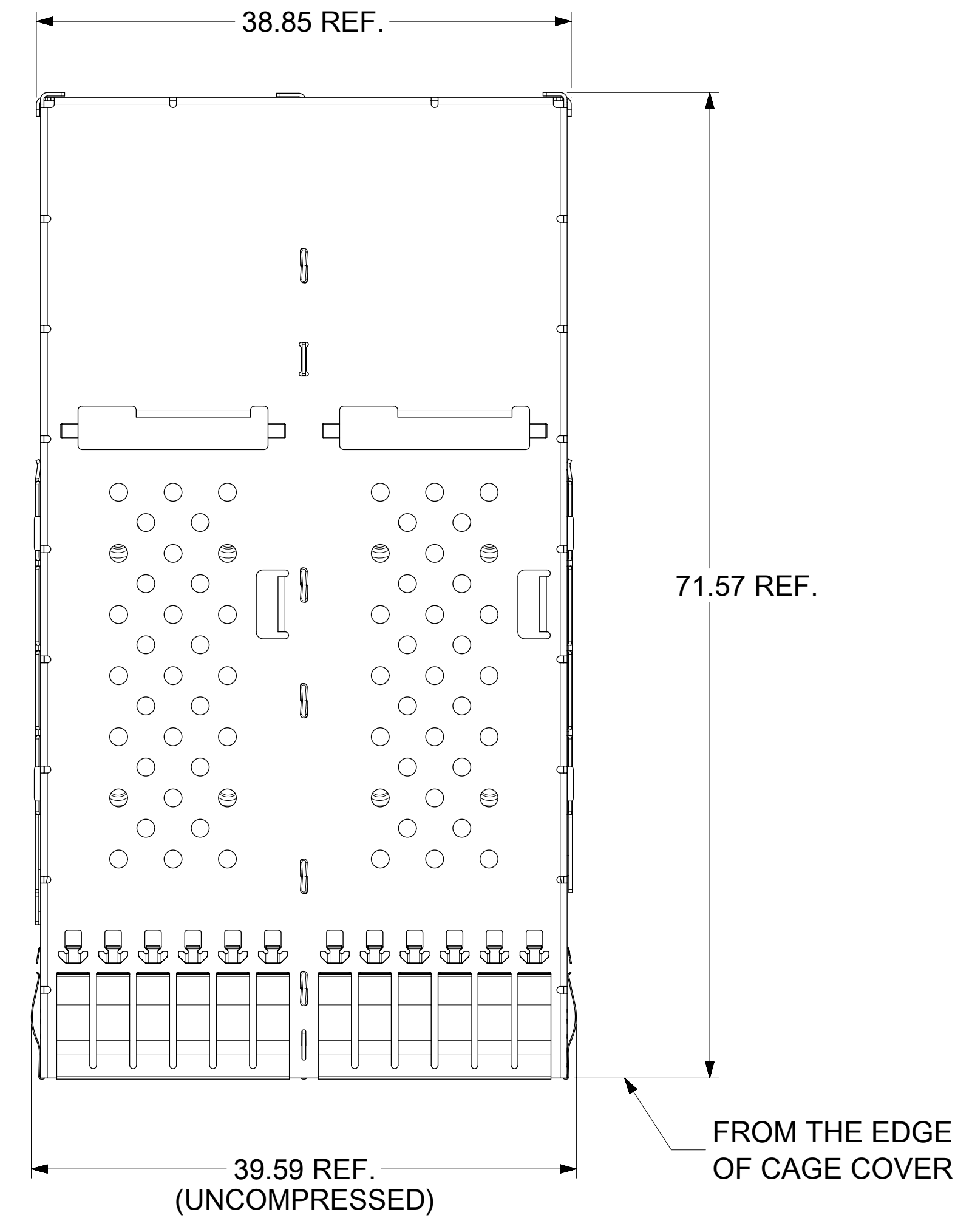


BASE CAGE DETAILS

2031523244 SHOWN



P/N AND WEEK/YEAR DATE CODE TO BE PRINTED ON SIDE OF COMPLETED CAGE ASSEMBLY APPROXIMATELY AS SHOWN. SEE TABLE BELOW FOR DATE CODE INFORMATION.

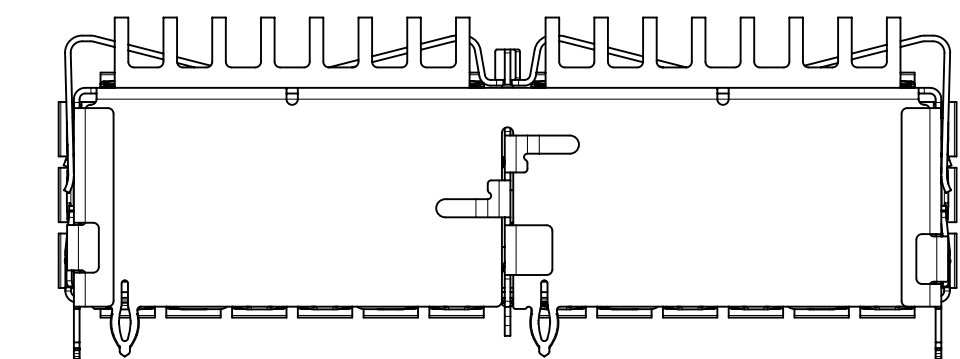
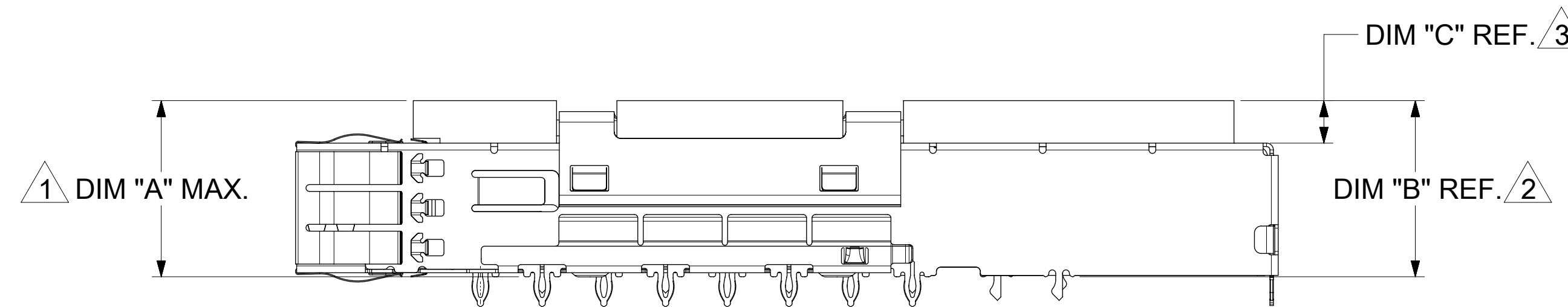
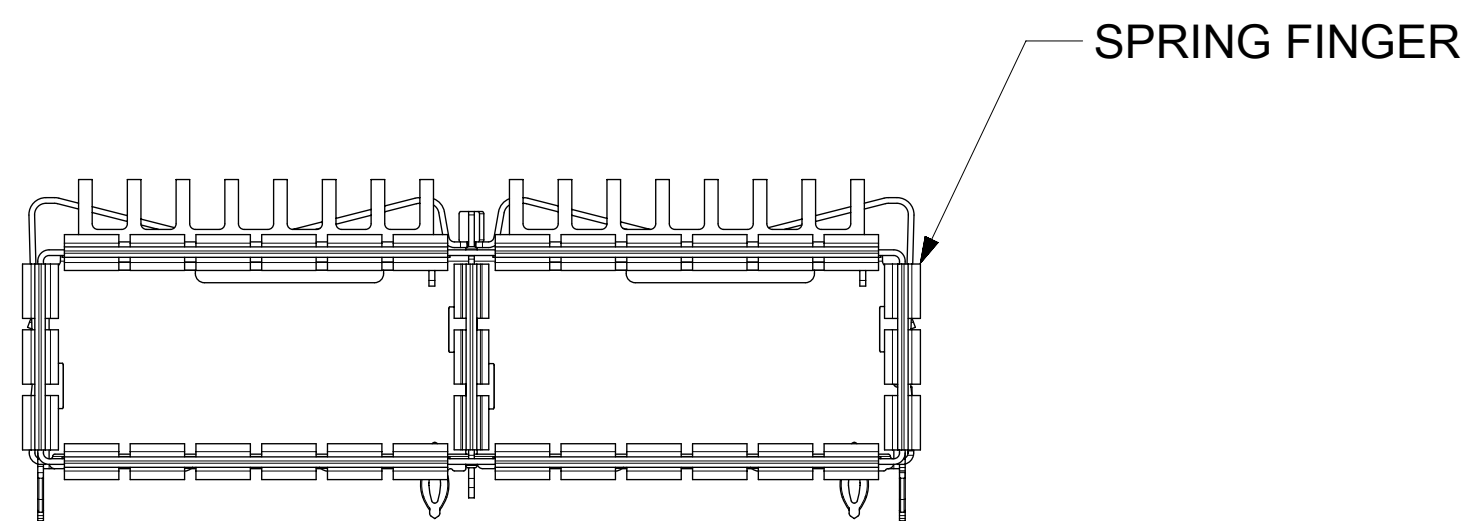
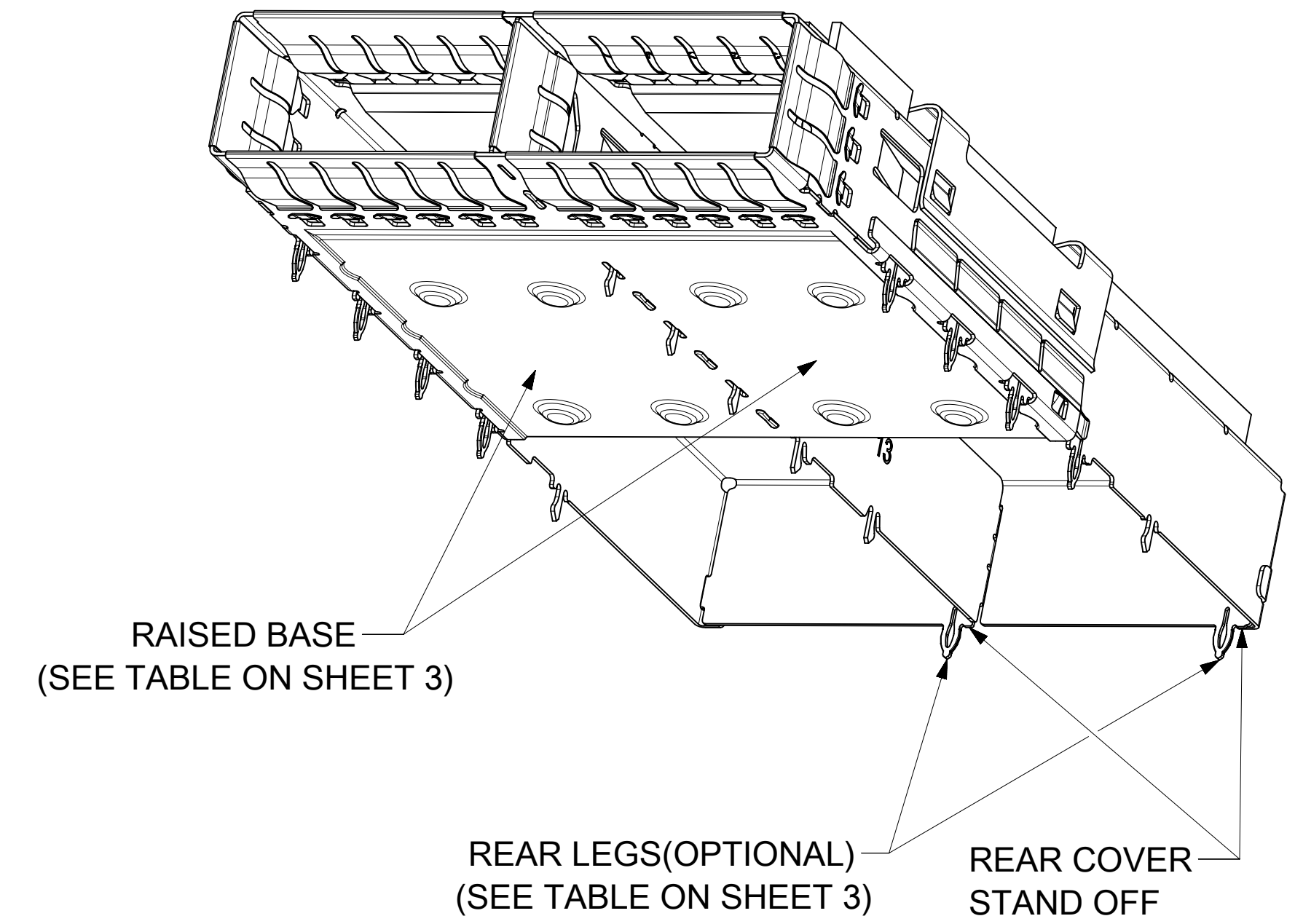
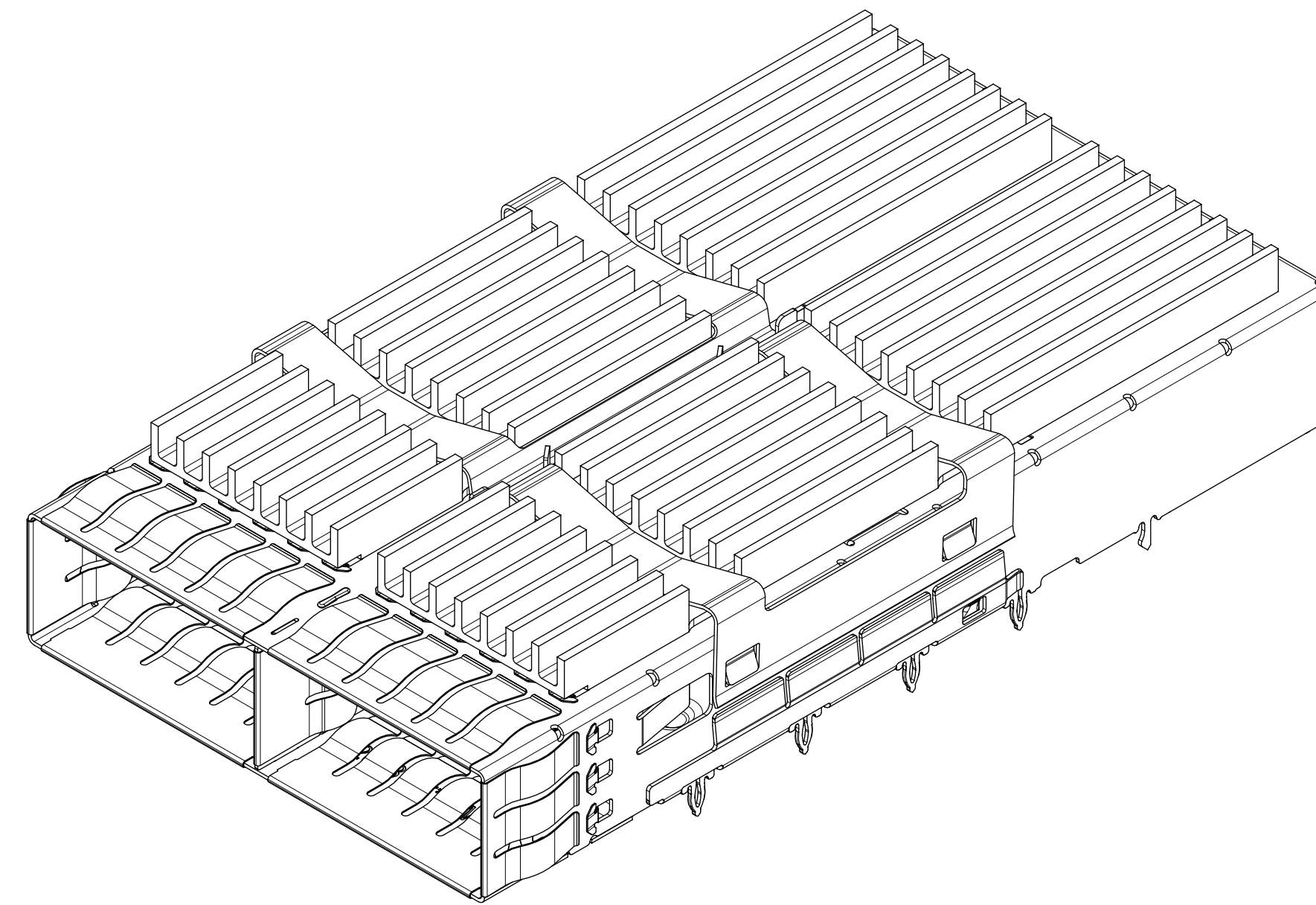
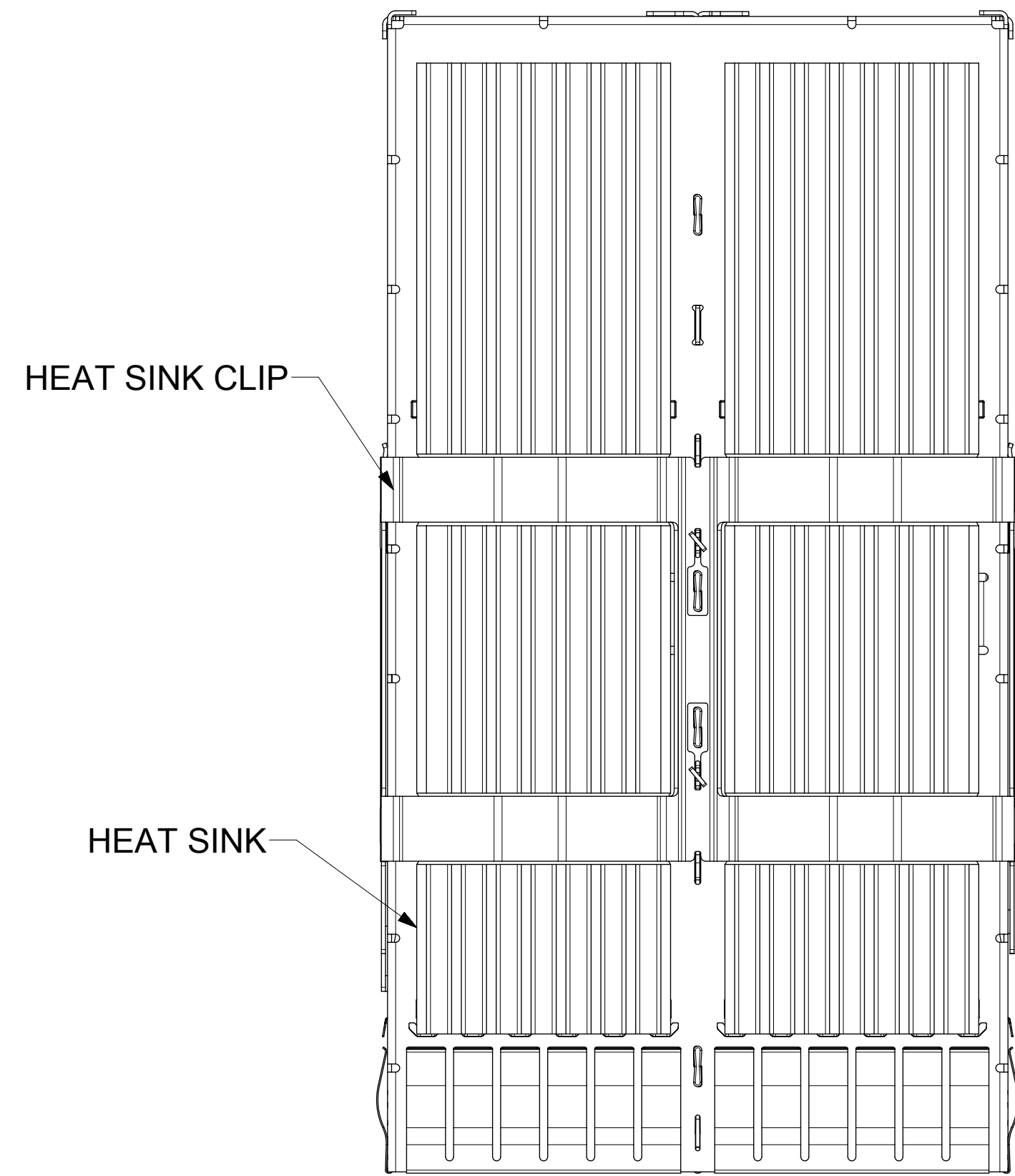
- NOTES:
- MATERIAL: CAGE: STAINLESS STEEL
 SPRING FINGERS: STAINLESS STEEL
 HEAT SINKS: ALUMINUM (BLACK ANODIZATION)
 HEAT SINK CLIP: STAINLESS STEEL
 - DRAWING APPLIES TO ALL P/N'S SHOWN ON PAGE 3
 - DURING FINAL INSPECTION, CAGE LEG LOCATIONS AND STRAIGHTNESS MUST BE CHECKED USING APPROPRIATE GO - NO GO GAGE
 - DURING FINAL INSPECTION, CAGE MUST BE INSPECTED TO MAKE SURE LEG CONFIGURATIONS AND PART NUMBERS ARE CORRECT, REFER TO SHEETS 2 AND 3.
 - PARTS TO BE INSPECTED PER MOLEX COSMETIC SPEC WI-HP-7-2774 (CLASS B UNLESS OTHERWISE SPECIFIED)
 - PRESS-FIT LEGS 2.20mm LONG -
 1.57mm MINIMUM PCB THICKNESS FOR SINGLE SIDED USE.
 2.70mm MINIMUM PCB THICKNESS FOR BELLY TO BELLY USE.
 - NO RoHS EXEMPTIONS
 - WELD SPOT MAY SHOW SLIGHT MATERIAL DISCOLORATION.

WEEK/YEAR DATE CODE TABLE	
WK	WEEK OF THE YEAR 01 THRU 52 OR 53 (EXAMPLE: 01= FIRST WEEK OF YEAR, 52 OR 53 = LAST WEEK OF YEAR)
YR	18, 19, 20 ETC.. (EXAMPLE: YEAR 2018= 18)

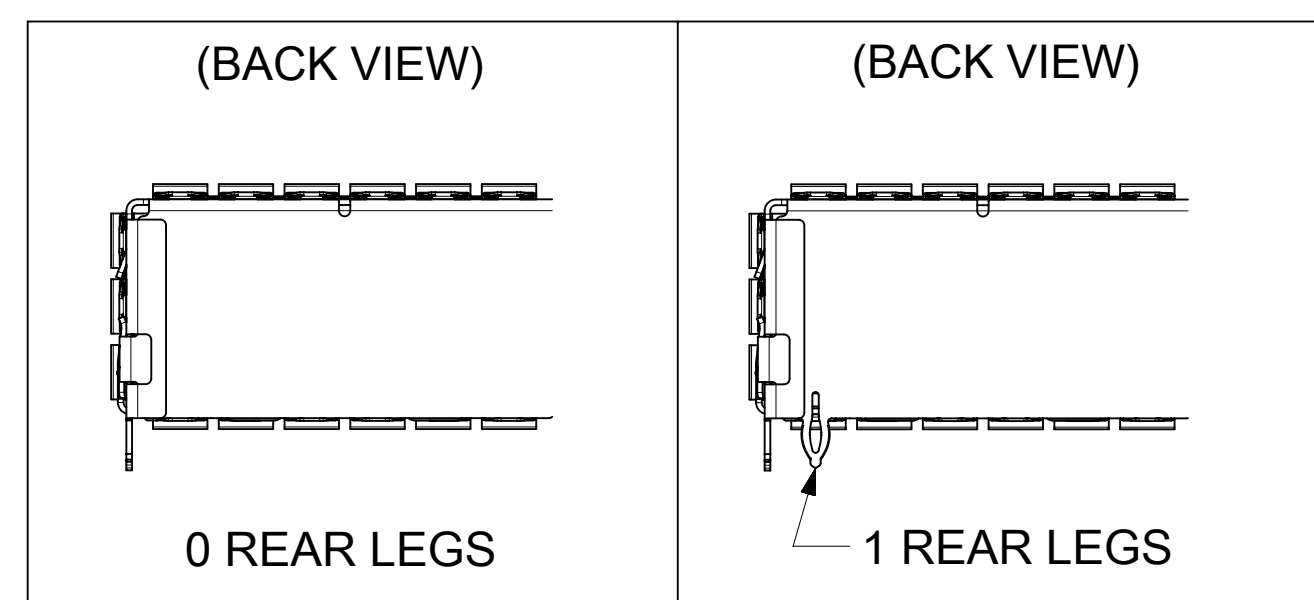
THIS DRAWING CONTAINS INFORMATION THAT IS PROPRIETARY TO MOLEX ELECTRONIC TECHNOLOGIES, LLC AND SHOULD NOT BE USED WITHOUT WRITTEN PERMISSION											
DIMENSION UNITS: mm		SCALE: 3:1		CURRENT REV DESC: SEE REVISION TABLE							
GENERAL TOLERANCES (UNLESS SPECIFIED)				EC NO: 717718							
ANGULAR TOL ± 2.0°				DRWN: MCHEN104 2022/08/05						QSFP-DD 1X2 GANGED CAGE SF WITH FIN H/S OPTIONS	
4 PLACES ±				CHK'D: THSU02 2022/08/15						PRODUCT CUSTOMER DRAWING	
3 PLACES ±				APPR: SCHIEN 2022/08/16						DOCUMENT NUMBER	
2 PLACES ± 0.13				INITIAL REVISION:						2031523201	
1 PLACE ± 0.25				DRWN: JYEN01 2019/06/20						PSD ASY A3	
0 PLACES ±				APPR: JCHIANG 2019/08/16						DOC TYPE DOC PART REVISION	
DRAFT WHERE APPLICABLE MUST REMAIN WITHIN DIMENSIONS				THIRD ANGLE PROJECTION		DRAWING		SERIES		MATERIAL NUMBER CUSTOMER SHEET NUMBER	
						D-SIZE		203152		SEE P/N TABLE GENERAL MARKET 1 OF 7	

CAGE ASSEMBLY OPTIONS

2031523349 SHOWN



REAR LEG OPTION



OVERALL HEAT SINK HEIGHT	DIM "B"
PCI	12.85
SAN	15.15
NET	22.15

OVERALL HEAT SINK HEIGHT	DIM "C"
PCI	3.10
SAN	5.40
NET	12.40

2 HEIGHT OF HEAT SINK WITHOUT MODULE INSERTED.

3 HEIGHT OF HEAT SINK

HEATSINK HEIGHT OPTIONS

OVERALL HEAT SINK HEIGHT	DIM "A"
PCI	13.7
SAN	16.0
NET	23.0

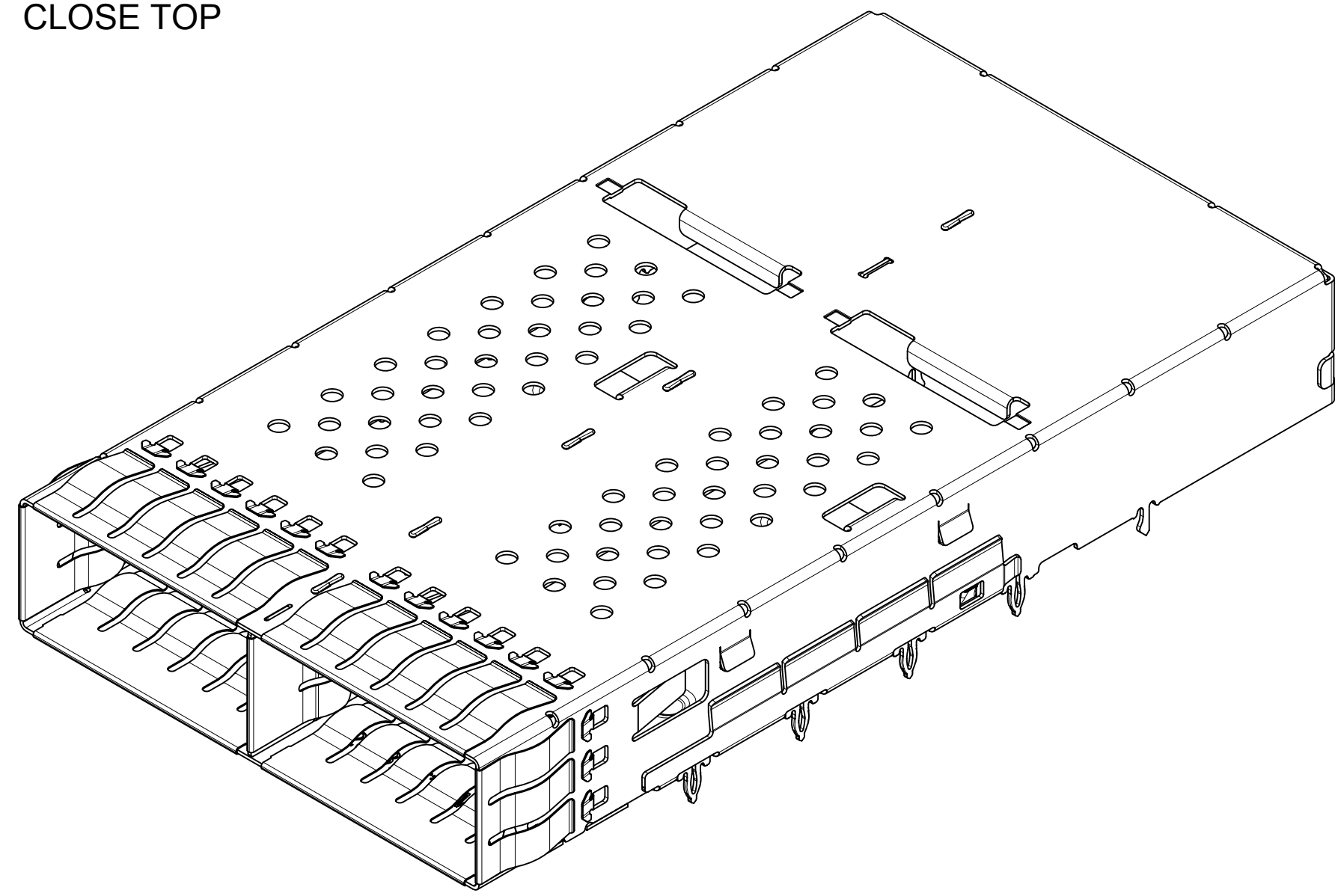
1 HEIGHT OF HEAT SINK WITH MODULE INSERTED.
DIMENSION MAY BE LESS DUE TO MODULE AND HEAT SINK VARIATIONS

THIS DRAWING CONTAINS INFORMATION THAT IS PROPRIETARY TO MOLEX ELECTRONIC TECHNOLOGIES, LLC AND SHOULD NOT BE USED WITHOUT WRITTEN PERMISSION

DIMENSION UNITS	SCALE	CURRENT REV DESC: SEE REVISION TABLE	
mm	3:1		
GENERAL TOLERANCES (UNLESS SPECIFIED)			
ANGULAR TOL	± 2.0°		
4 PLACES	±	EC NO: 717718	
3 PLACES	±	DRWN: MCHEN104	2022/08/05
2 PLACES	± 0.13	CHK'D: THSU02	2022/08/15
1 PLACE	± 0.25	APPR: SCHIEN	2022/08/16
0 PLACES	±	INITIAL REVISION:	
DRAFT WHERE APPLICABLE MUST REMAIN WITHIN DIMENSIONS		DRWN: JYEN01	2019/06/20
THIRD ANGLE PROJECTION		APPR: JCHIANG	2019/08/16
DRAWING		SERIES	MATERIAL NUMBER
D-SIZE		203152	SEE P/N TABLE
CUSTOMER		GENERAL MARKET	
DOCUMENT NUMBER		DOC TYPE	DOC PART
2031523201		PSD	ASY
REVISION		SHEET NUMBER	
A3		2 OF 7	

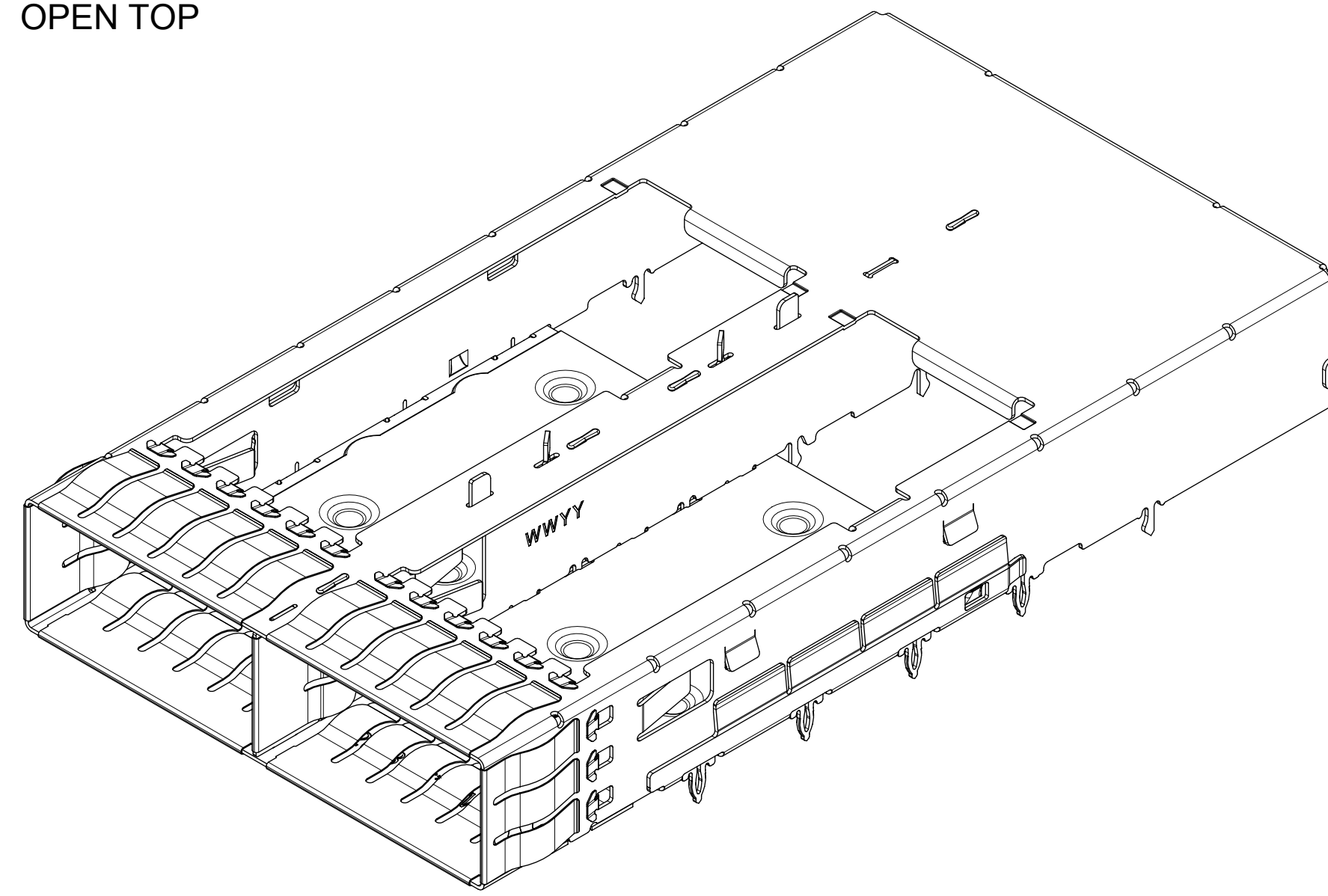
PART NUMBER SELECTION

CLOSE TOP



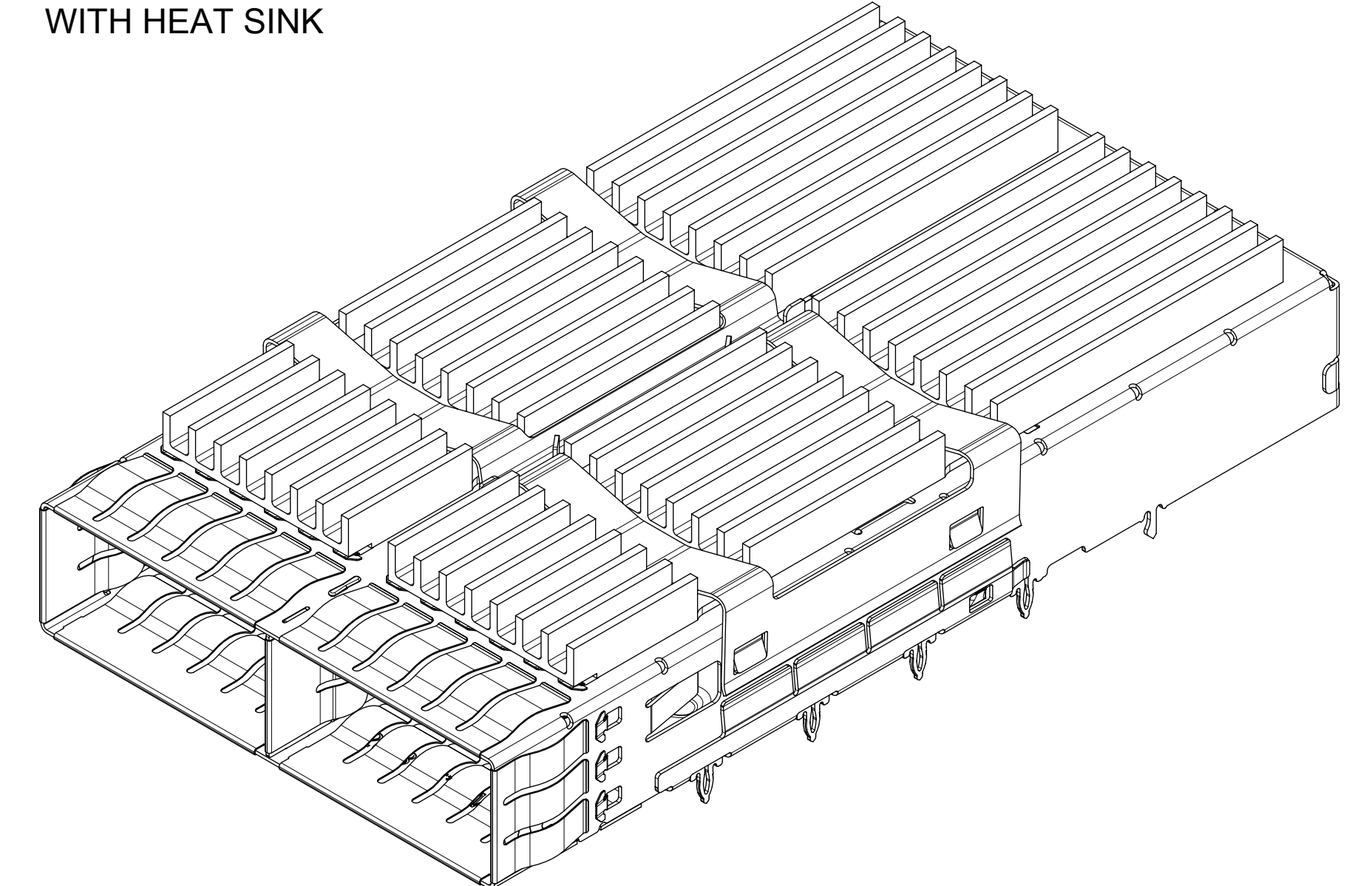
MOLEX P/N	# OF REAR LEGS PER PORT	RAISED BASE
2031523243	0	NO
2031523244	1	NO

OPEN TOP



MOLEX P/N	# OF REAR LEGS PER PORT	RAISED BASE
2031523253	0	YES
2031523254	1	YES

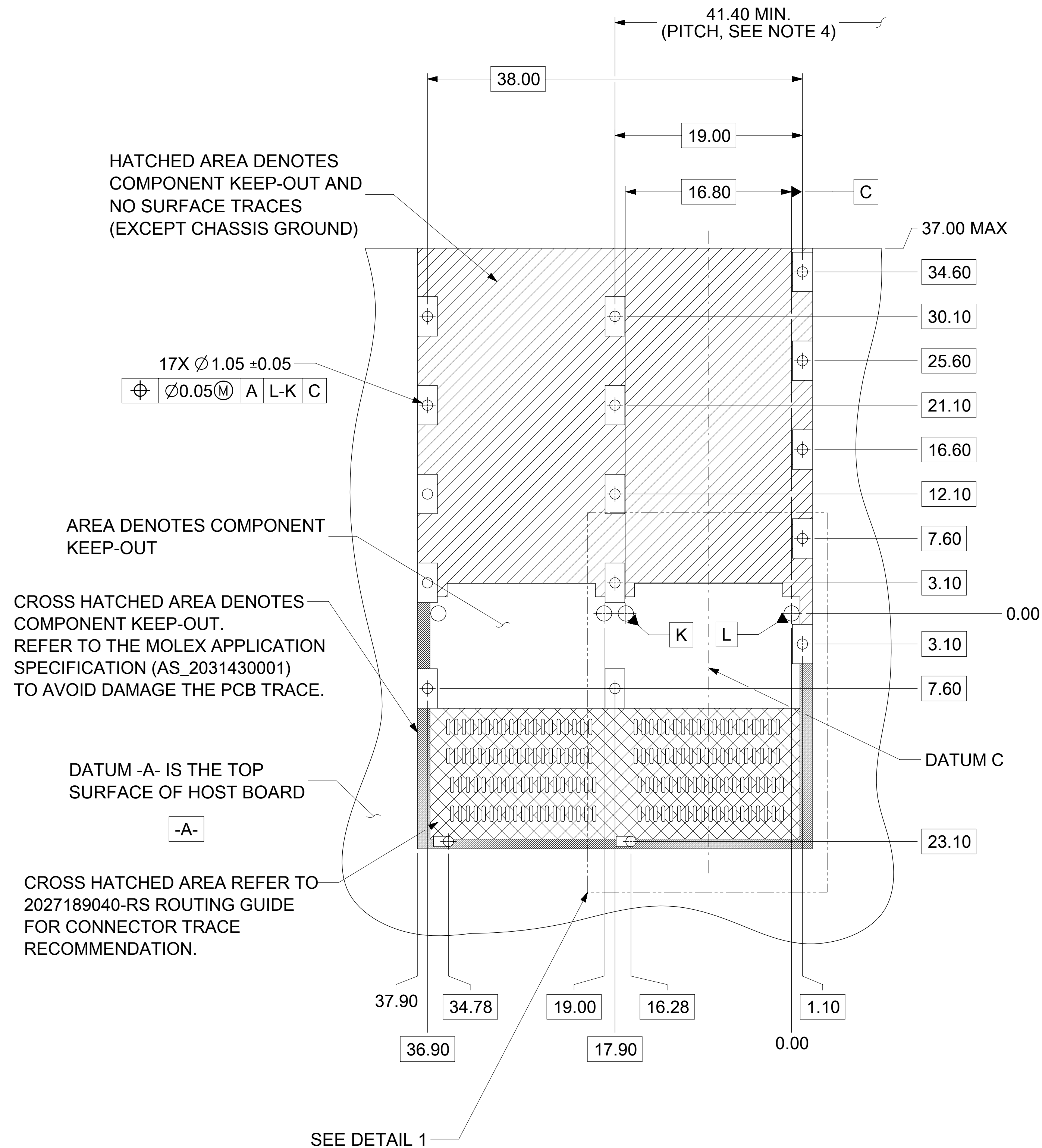
WITH HEAT SINK



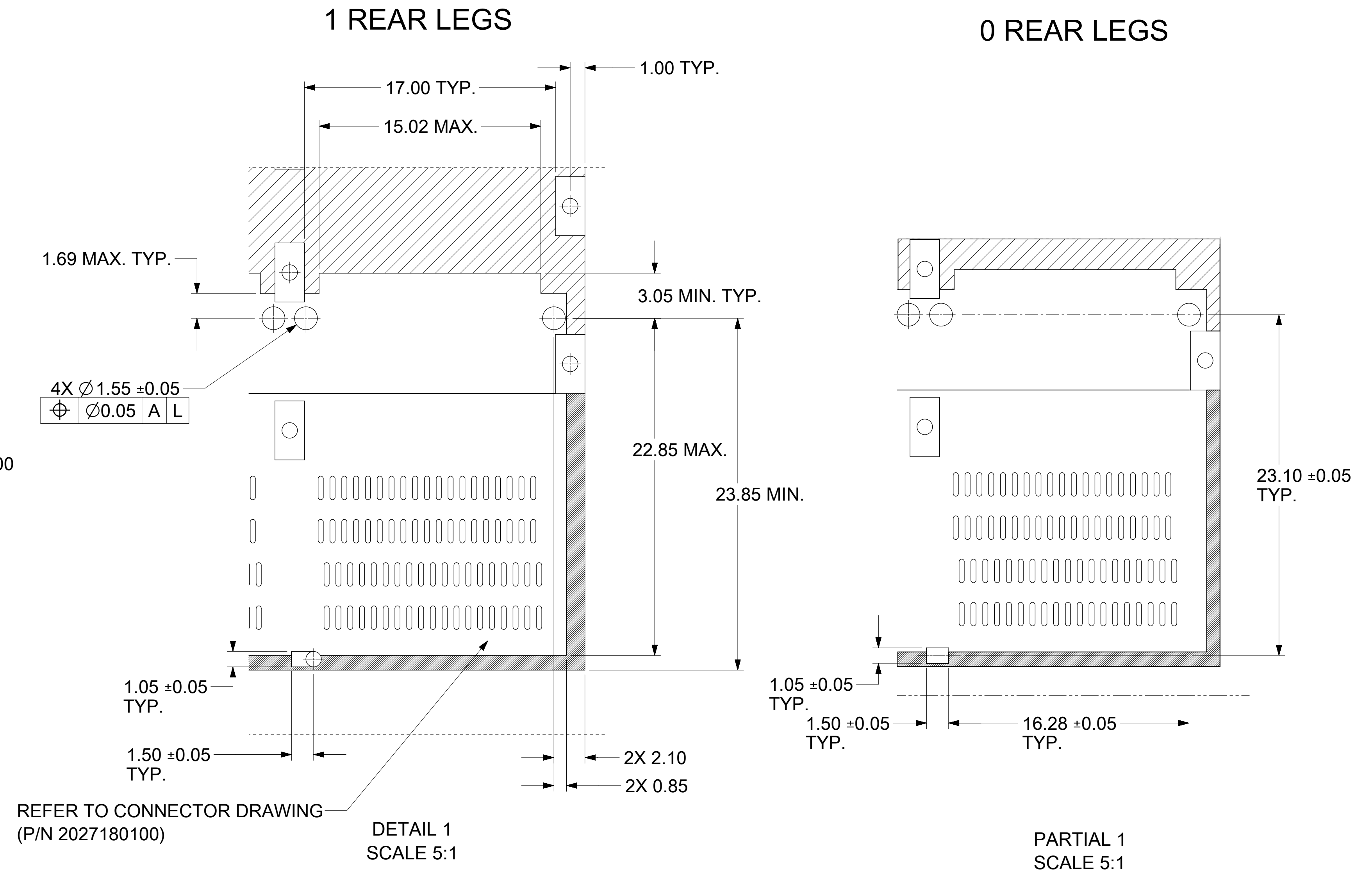
MOLEX P/N	HEAT SINK	# OF REAR LEGS PER PORT	RAISED BASE
2031523346	PCI	0	YES
2031523347	SAN	0	YES
2031523348	NET	0	YES
2031523349	PCI	1	YES
2031523350	SAN	1	YES
2031523351	NET	1	YES

THIS DRAWING CONTAINS INFORMATION THAT IS PROPRIETARY TO MOLEX ELECTRONIC TECHNOLOGIES, LLC AND SHOULD NOT BE USED WITHOUT WRITTEN PERMISSION											
DIMENSION UNITS	SCALE	CURRENT REV DESC: SEE REVISION TABLE									
mm	3:1	<div style="text-align: center; font-size: 24pt; font-weight: bold;">molex</div> <p>QSFP-DD 1X2 GANGED CAGE SF WITH FIN H/S OPTIONS</p> <p>PRODUCT CUSTOMER DRAWING</p>									
GENERAL TOLERANCES (UNLESS SPECIFIED)											
ANGULAR TOL	± 2.0°										
4 PLACES	±										
3 PLACES	±										
2 PLACES	± 0.13										
1 PLACE	± 0.25	EC NO: 717718	DRWN: MCHEN104		2022/08/05		DOCUMENT NUMBER		DOC TYPE	DOC PART	REVISION
0 PLACES	±	DRWN: JYEN01	2019/06/20		2019/08/16		2031523201		PSD	ASY	A3
DRAFT WHERE APPLICABLE MUST REMAIN WITHIN DIMENSIONS		THIRD ANGLE PROJECTION	DRAWING	SERIES	MATERIAL NUMBER	CUSTOMER	SHEET NUMBER				
			D-SIZE	203152	SEE P/N TABLE	GENERAL MARKET	3 OF 7				

PCB LAYOUT FOR SINGLE SIDED MOUNTING



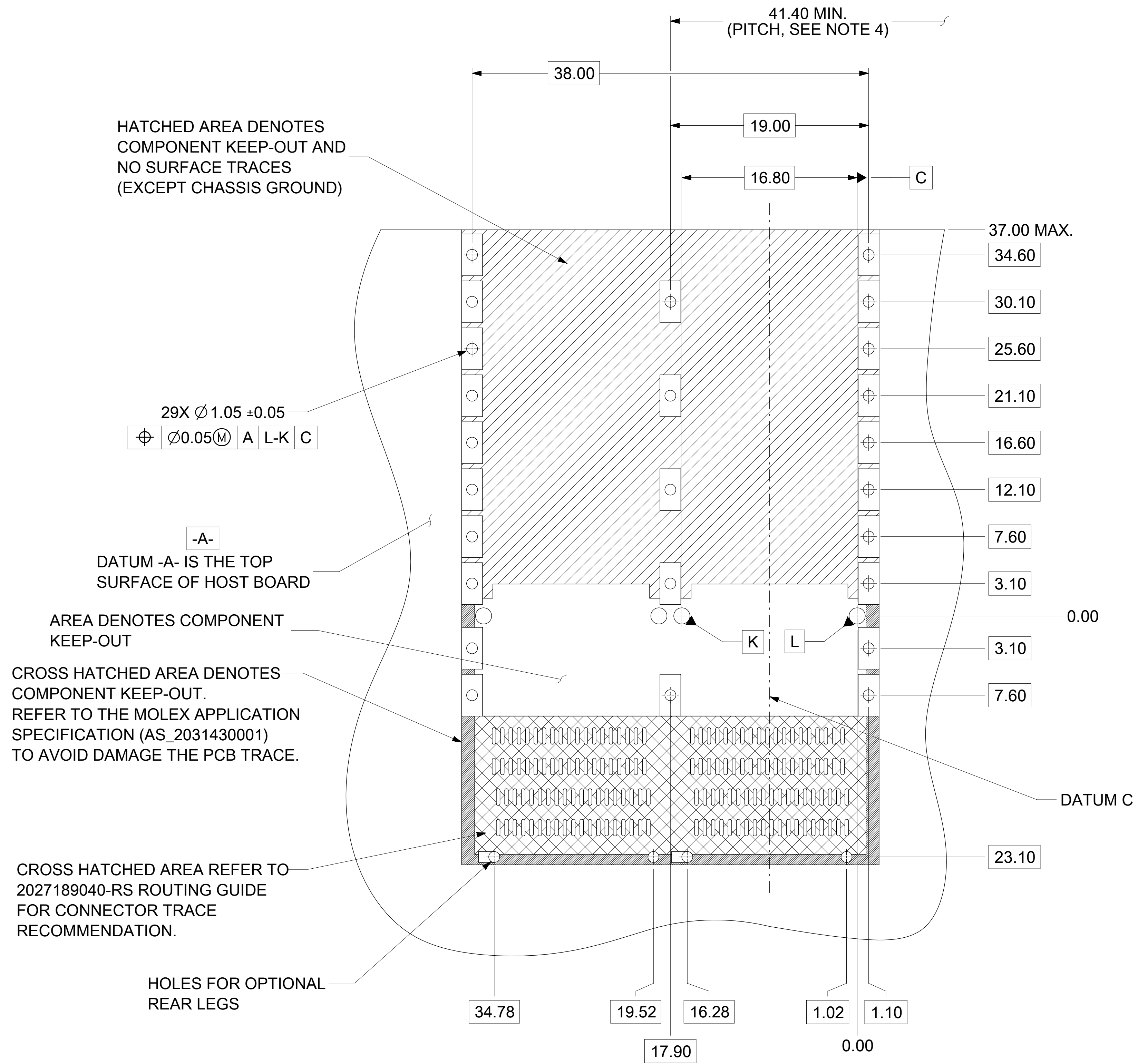
HOST CONNECTOR DETAIL



- NOTES:
1. PADS AND VIAS GO TO CHASSIS GROUND. (RECOMMENDED PADS TO BE 2.00X4.00mm RECTANGLE.)
 2. RECOMMENDED THRU HOLE PLATING INCLUDES HASL, OSP, OR IMMERSION (GOLD, SILVER, OR TIN).
 3. CONNECTOR PAD LAYOUT PER QSFP-DD MSA WILL ACCOMMODATE MOLEX CONNECTOR SERIES 202718.
 4. THIS DIMENSION IS FOR REFERENCE ONLY, USER CAN MODIFY IT DEPENDS ON APPLICATION.

THIS DRAWING CONTAINS INFORMATION THAT IS PROPRIETARY TO MOLEX ELECTRONIC TECHNOLOGIES, LLC AND SHOULD NOT BE USED WITHOUT WRITTEN PERMISSION									
DIMENSION UNITS	SCALE	CURRENT REV DESC: SEE REVISION TABLE							
mm	3.5:1	<div style="text-align: center; font-size: 24pt; font-weight: bold;">molex</div> <p>QSFP-DD 1X2 GANGED CAGE SF WITH FIN H/S OPTIONS</p> <p>PRODUCT CUSTOMER DRAWING</p>							
GENERAL TOLERANCES (UNLESS SPECIFIED)									
ANGULAR TOL	$\pm 2.0^\circ$								
4 PLACES	\pm								
3 PLACES	\pm								
2 PLACES	± 0.13								
1 PLACE	± 0.25	EC NO: 717718	DRWN: MCHEN104	2022/08/05	<div style="text-align: center; font-size: 18pt; font-weight: bold;">2031523201</div> <p>PSD ASY A3</p>				
0 PLACES	\pm	CHK'D: THSU02	2022/08/15						
DRAFT WHERE APPLICABLE MUST REMAIN WITHIN DIMENSIONS		APPR: SCHIEN	2022/08/16						
THIRD ANGLE PROJECTION		INITIAL REVISION:	DRWN: JYEN01	2019/06/20					
DRAWING		APPR: JCHIANG	2019/08/16	DOCUMENT NUMBER		DOC TYPE	DOC PART	REVISION	
D-SIZE		SERIES	MATERIAL NUMBER	CUSTOMER	SEE P/N TABLE		GENERAL MARKET		SHEET NUMBER
203152		203152	203152	GENERAL MARKET	SEE P/N TABLE		4 OF 7		

PCB LAYOUT FOR BELLY TO BELLY MOUNTING

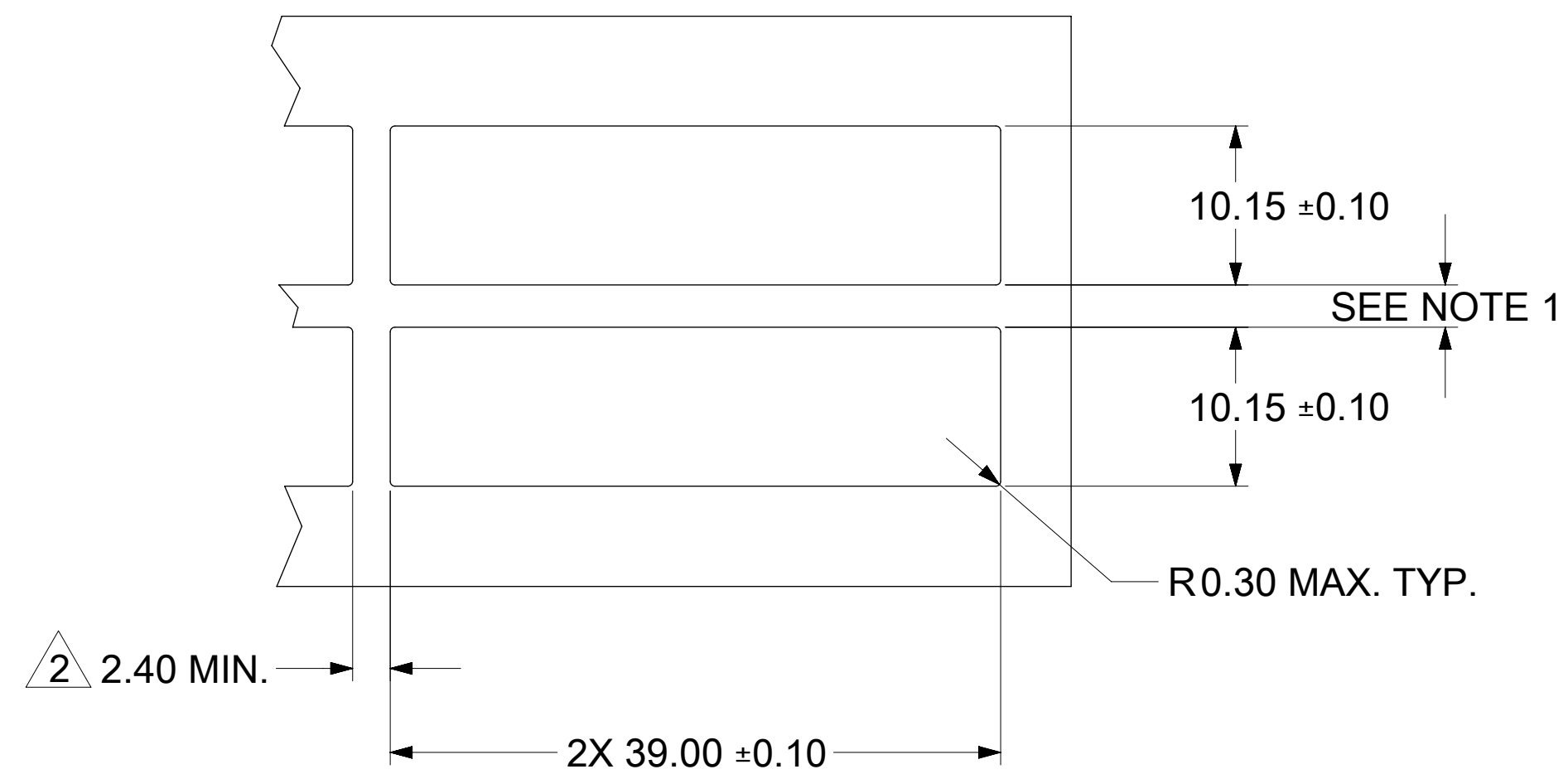
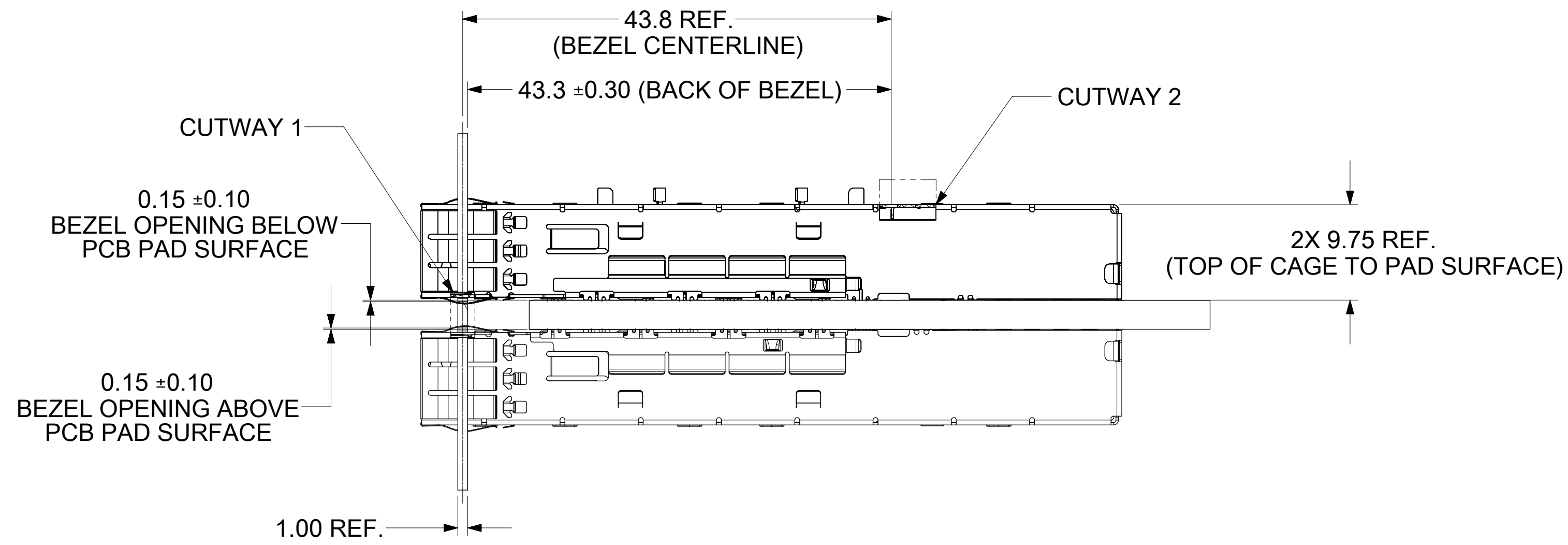


NOTE:
SEE SHEET 4 FOR
HOST CONNECTOR DETAIL

- NOTES:
1. PADS AND VIAS GO TO CHASSIS GROUND. (RECOMMENDED PADS TO BE 2.00x4.00mm RECTANGLE.)
 2. RECOMMENDED THRU HOLE PLATING INCLUDES HASL, OSP, OR IMMERSION (GOLD, SILVER, OR TIN).
 3. CONNECTOR PAD LAYOUT PER QSFP-DD WILL ACCOMMODATE MOLEX CONNECTOR SERRIES 202718.
 4. THIS DIMENSION IS FOR REFERENCE ONLY, USER CAN MODIFY IT DEPENDS ON APPLICATION.

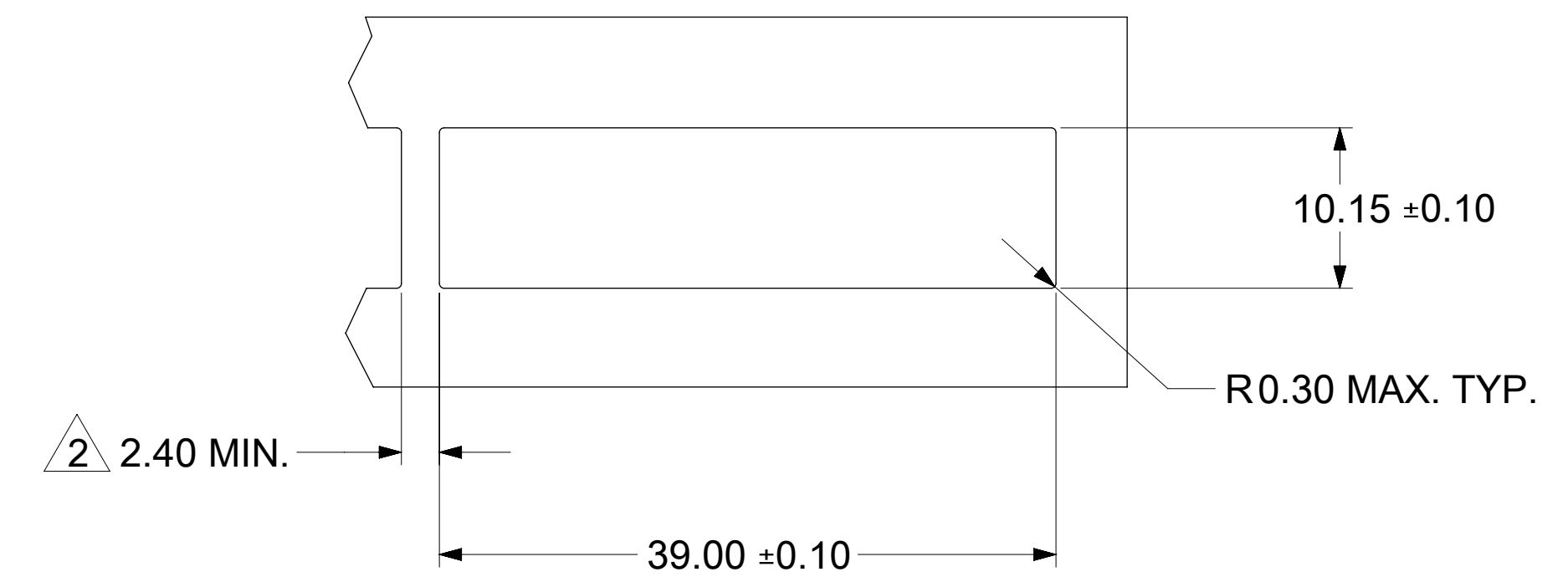
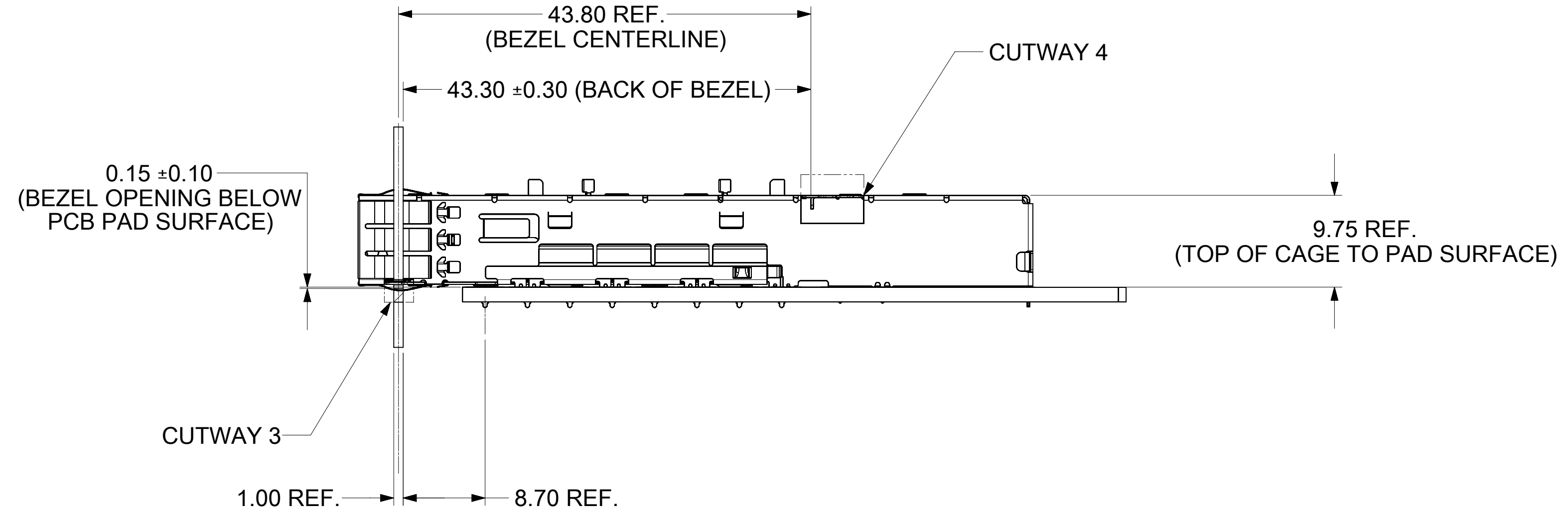
THIS DRAWING CONTAINS INFORMATION THAT IS PROPRIETARY TO MOLEX ELECTRONIC TECHNOLOGIES, LLC AND SHOULD NOT BE USED WITHOUT WRITTEN PERMISSION									
DIMENSION UNITS	SCALE	CURRENT REV DESC: SEE REVISION TABLE							
mm	4:1	<div style="text-align: center;">molex</div> <p>QSFP-DD 1X2 GANGED CAGE SF WITH FIN H/S OPTIONS</p> <p>PRODUCT CUSTOMER DRAWING</p> <p>DOCUMENT NUMBER: 2031523201 DOC TYPE: PSD DOC PART: ASY REVISION: A3</p> <p>EC NO: 717718 DRWN: MCHEN104 2022/08/05 CHK'D: THSU02 2022/08/15 APPR: SCHIEN 2022/08/16</p> <p>INITIAL REVISION: DRWN: JYEN01 2019/06/20 APPR: JCHIANG 2019/08/16</p> <p>DRAFT WHERE APPLICABLE MUST REMAIN WITHIN DIMENSIONS</p>							
GENERAL TOLERANCES (UNLESS SPECIFIED)									
ANGULAR TOL	± 2.0°								
4 PLACES	±								
3 PLACES	±								
2 PLACES	± 0.13								
1 PLACE	± 0.25								
0 PLACES	±	THIRD ANGLE PROJECTION	DRAWING	SERIES	MATERIAL NUMBER	CUSTOMER	SHEET NUMBER		
DRAFT WHERE APPLICABLE MUST REMAIN WITHIN DIMENSIONS			THIRD ANGLE PROJECTION	D-D SIZE	203152	SEE P/N TABLE	GENERAL MARKET	5 OF 7	

BEZEL AND BOARD POSITION DIMENSIONS
FOR BELLY TO BELLY MOUNTING
(REMOVE HEAT SINK AND CLIP FOR CLARITY)



NOTE:
1. PCB THICKNESS VARIATION MUST BE CONSIDERED WHEN DETERMINING BEZEL OPENING LOCATION.
2. THIS DIMENSION IS FOR REFERENCE ONLY. USER CAN MODIFY IT DEPENDS ON APPLICATION. (THIS DIMENSION VARIES BASED ON DISTANCE OF "HOLE OF ADJACENT CAGE" ON PCB LAYOUT.)

BEZEL AND BOARD POSITION DIMENSIONS
FOR SINGLE SIDE MOUNTING
(REMOVE HEAT SINK AND CLIP FOR CLARITY)



THIS DRAWING CONTAINS INFORMATION THAT IS PROPRIETARY TO MOLEX ELECTRONIC TECHNOLOGIES, LLC AND SHOULD NOT BE USED WITHOUT WRITTEN PERMISSION											
DIMENSION UNITS	SCALE	CURRENT REV DESC: SEE REVISION TABLE									
mm	2.5:1	<p>molex</p> <p>QSFP-DD 1X2 GANGED CAGE SF WITH FIN H/S OPTIONS</p> <p>PRODUCT CUSTOMER DRAWING</p> <p>DOCUMENT NUMBER: 2031523201 DOC TYPE: PSD DOC PART: ASY REVISION: A3</p> <p>DRAFT WHERE APPLICABLE MUST REMAIN WITHIN DIMENSIONS</p>									
GENERAL TOLERANCES (UNLESS SPECIFIED)											
ANGULAR TOL	± 2.0°										
4 PLACES	±										
3 PLACES	±										
2 PLACES	± 0.13										
1 PLACE	± 0.25	EC NO: 717718	DRWN: MCHEN104	2022/08/05	<p>INITIAL REVISION:</p> <p>DRWN: JYEN01 2019/06/20</p> <p>APPR: JCHIANG 2019/08/16</p>						
0 PLACES	±	DRWN: JYEN01	2019/06/20	2019/08/16							
THIRD ANGLE PROJECTION		DRAWING	SERIES	MATERIAL NUMBER						CUSTOMER	SHEET NUMBER
		D-SIZE	203152	SEE P/N TABLE						GENERAL MARKET	6 OF 7

