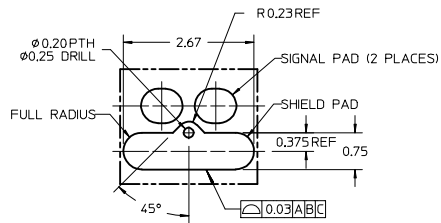
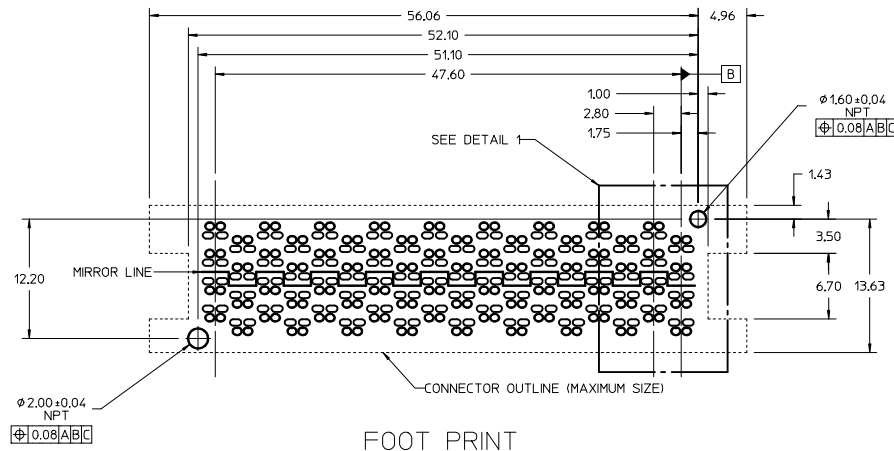


- NOTES:
- HOUSING MATERIAL: LCP, GLASS FILLED, UL 94V-0, BLACK
CONTACT MATERIAL: HIGH PERFORMANCE COPPER ALLOY
SOLDER CHARGE: LEAD FREE SOLDER ALLOY
 - FINISH:
CONTACTS: SELECT GOLD: 30 MNCES MIN ON CONTACT AREA.
AND 2 MNCES MIN ON SOLDERABLE PORTION
OF SOLDER TAILS. OVER 50 MNCES MIN NICKEL OVERALL.
 - PRODUCT SPECIFICATION: PS-170807-0001
 - PACKAGING SPECIFICATION: PK-170807-002
 - APPLICATION SPECIFICATION: AS-170807-0001

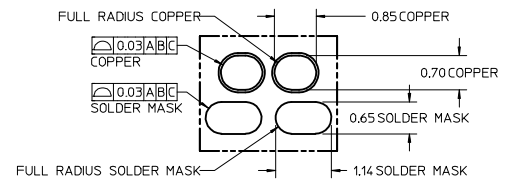


DETAIL 4
SCALE 20:1
(SOLDER MASK REMOVED TO REVEAL SHIELD TRACE)

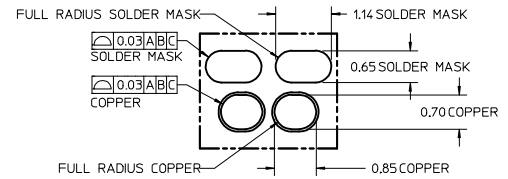


FOOT PRINT

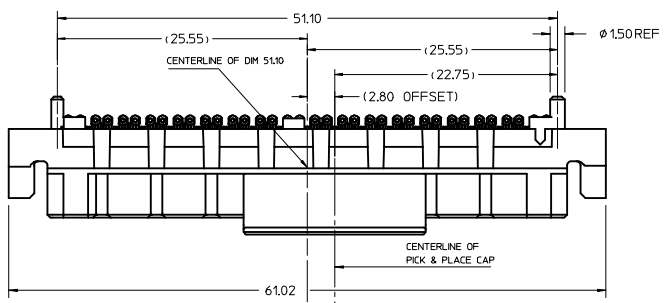
- FOOT PRINT NOTES:
- DATUM -A- IS THE TOP OF THE PCB.
 - ALL DIMENSIONS ARE BASICS.
 - ROW A, C, F, AND H PADS (SIGNAL PADS) ARE COPPER DEFINED.
 - ROW B, D, E, AND G PADS (SHIELD PADS) ARE SOLDER MASK DEFINED.



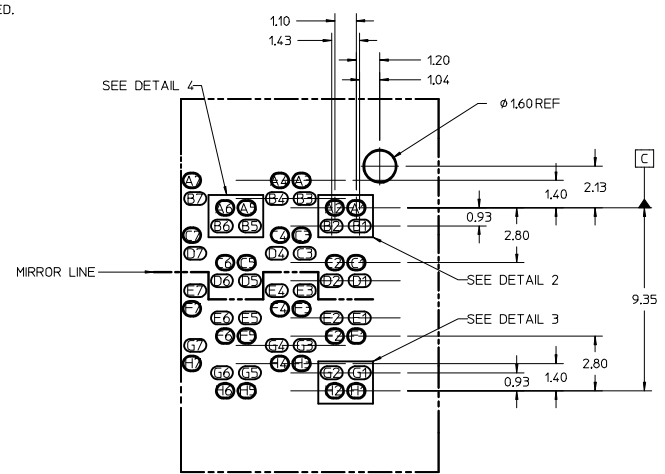
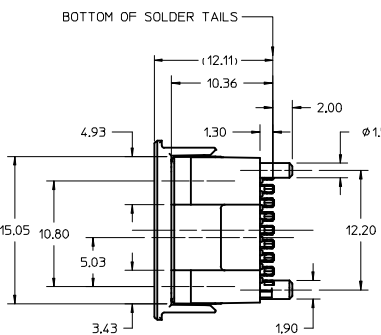
DETAIL 2
SCALE 20:1



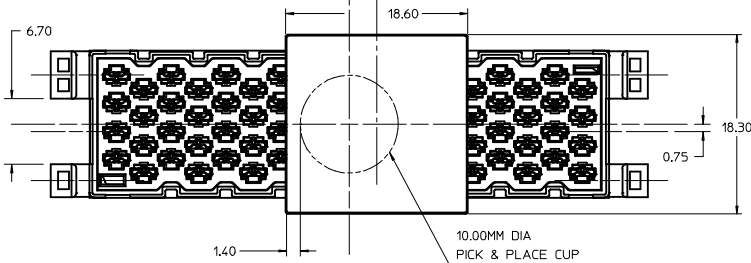
DETAIL 3
SCALE 20:1



COPLANARITY REQUIREMENT
(SCALE 3:1)



DETAIL 1
SCALE 8:1
(NUMBERING SCHEME SHOWN)



REVISED NOTE 4. IEC NO. UCP2016-1035 DRWNSKANG 2015/09/22 CHYKJESSIECHUA 2015/09/30 APPR:SHONG 2015/09/30	QUALITY SYMBOLS	GENERAL TOLERANCES (UNLESS SPECIFIED)	DIMENSION STYLE	SCALE	DESIGN UNITS	THIRD ANGLE PROJECTION
	▽=0	mm INCH	MM ONLY	4:1	METRIC	☉
	▽=0	4 PLACES ± --- ± ---	DRAWN BY DATE	TITLE		
	▽=0	3 PLACES ± --- ± ---	KPELOZA 2011/06/06	PLUG 4X18, 8MM, 85 OHMS NEOSCALE		
	2 PLACES ± 0.15 ± ---	CHECKED BY DATE	MATERIAL NO.			DOCUMENT NO.
	1 PLACE ± --- ± ---	KPELOZA 2011/06/07	1708070011			SD-170807-0011
	ANGULAR ±1/2°	APPROVED BY DATE	SHEET NO.			1 OF 1
	DRAFT WHERE APPLICABLE MUST REMAIN WITHIN DIMENSIONS	JCOMERCI 2011/06/08	THIS DRAWING CONTAINS INFORMATION THAT IS PROPRIETARY TO MOLEX INCORPORATED AND SHOULD NOT BE USED WITHOUT WRITTEN PERMISSION			

