

## Cable gland - G-INVEN-M16-M67N-PNES-BK - 1424536

Please be informed that the data shown in this PDF Document is generated from our Online Catalog. Please find the complete data in the user's documentation. Our General Terms of Use for Downloads are valid (<http://phoenixcontact.com/download>)



Cable gland, cable gland material: PA, external cable diameter 4 mm ... 7 mm, shielding: no, connecting thread: M16 x 1.5, color: jet black RAL 9005, with pressure compensation element and flat gasket


### Product Description

Cable gland with integrated pressure compensation element. Prevents low pressure forming in the housing. Membrane: resistant to water and dirt

### Your advantages

- reduces the formation of condensation
- Screw connection with integrated pressure compensation element
- Plastic material conforms to UL 746C f1

### Key Commercial Data

Packing unit	5 pc
Minimum order quantity	5 pc
GTIN	 4 055626 374413
GTIN	4055626374413

### Technical data

#### Dimensions

Length	35.5 mm
Wrench size, union nut	19 mm
Wrench size, support	19 mm
Length of the connecting thread	10 mm
Feed-through hole diameter	16.1 mm ... 16.2 mm
External cable diameter	4 mm ... 7 mm
	4 mm ... 8 mm (for UL 514 B)

#### Ambient conditions

Degree of protection (IP)	IP67
	IP66

# Cable gland - G-INVEN-M16-M67N-PNES-BK - 1424536

## Technical data

### Ambient conditions

Ambient temperature (operation)	-20 °C ... 100 °C (static)
---------------------------------	----------------------------

### General

Type	with pressure compensation element and flat gasket
No. of conductors	1
Cable gland material	PA
Cable seal material	CR
Sealing material	NBR (Flat gasket)
Flammability rating according to UL 94	V2
Shielded	no
Thread type connection side	M16 x 1.5
Thread type on connection side	M16
Torque	2 Nm (Union nut)
	2 Nm (Support sleeve)
	2.5 Nm (for UL514 B: union nut / support)
Color	jet black RAL 9005
Impact category	5
Execution of the strain relief	A
Air flow rate	25 (l/h at a pressure differential of 70 mbar)
Manufacturer	BIMED
Manufacturer Designation	BMVG-21

### Standards and Regulations

Halogen-free	no
Flammability rating according to UL 94	V2

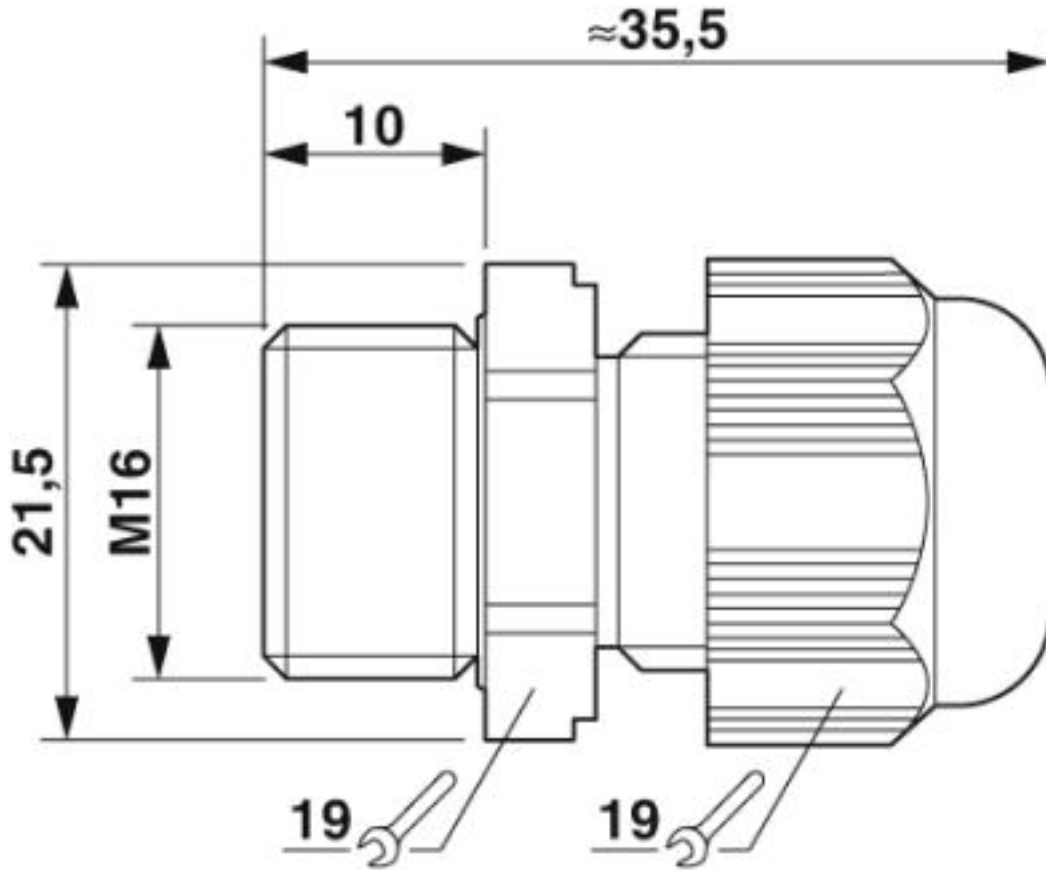
### Environmental Product Compliance

China RoHS	Environmentally friendly use period: unlimited = EFUP-e
	No hazardous substances above threshold values

## Drawings

# Cable gland - G-INVEN-M16-M67N-PNES-BK - 1424536

Dimensional drawing



Dimensional drawing

## Approvals

Approvals

Approvals

UL Recognized / cUL Recognized / cULus Recognized

Ex Approvals

## Approval details

UL Recognized




<http://database.ul.com/cgi-bin/XYV/template/LISEXT/1FRAME/index.htm>

E199260

## Cable gland - G-INVEN-M16-M67N-PNES-BK - 1424536

### Approvals

cUL Recognized		<a href="http://database.ul.com/cgi-bin/XYV/template/LISEXT/1FRAME/index.htm">http://database.ul.com/cgi-bin/XYV/template/LISEXT/1FRAME/index.htm</a>	E199260
----------------	---	---	---------

cULus Recognized	
------------------	---

Phoenix Contact 2019 © - all rights reserved  
<http://www.phoenixcontact.com>

PHOENIX CONTACT GmbH & Co. KG  
Flachmarktstr. 8  
32825 Blomberg  
Germany  
Tel. +49 5235 300  
Fax +49 5235 3 41200  
<http://www.phoenixcontact.com>