

6

5

4

3

2

1

E

E

D

D

C

C

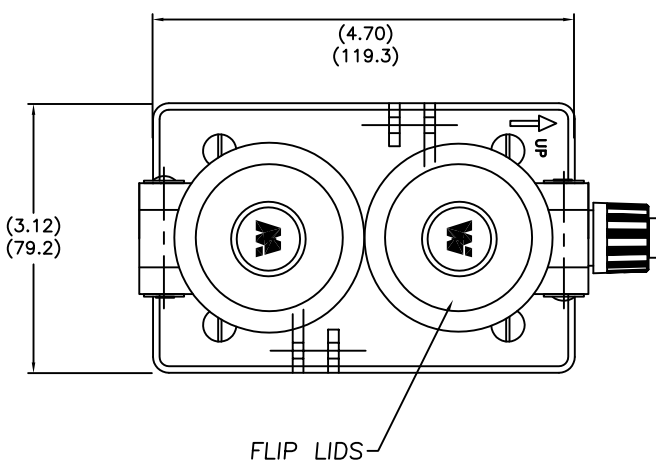
B

B

A

A

FRONT VIEW OF BOX



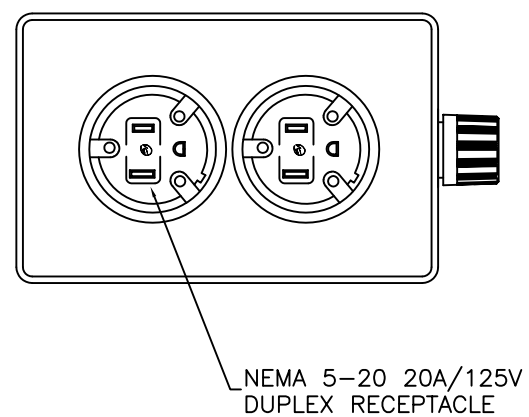
DOUBLE EYE WIRE
MESH GRIP

26W47 20A/125V
NEMA L5-20
WATER-TITE PLUG

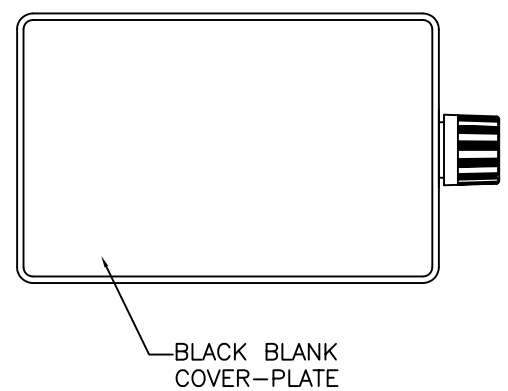
25 FT. #12/3 SOOW



RECEPTACLE ORIENTATION



BACK SIDE OF BOX



RELEASE DRAWING
EC NO: WNA2010-0596
DRWN: TVICKERS 2010/03/23
CHKD: HK
APPR: DTTITUS 2010/06/08

QUALITY SYMBOLS
▽=0
∇=0

GENERAL TOLERANCES (UNLESS SPECIFIED)		
	mm	INCH
4 PLACES	±---	±---
3 PLACES	±---	±.005
2 PLACES	±0.13	±.010
1 PLACE	±0.25	±.020
ANGULAR ±.5°		
DRAFT WHERE APPLICABLE MUST REMAIN WITHIN DIMENSIONS		

DIMENSION STYLE
IN/MM

DRAWN BY DATE
TVICKERS 2010/03/23

CHECKED BY DATE
HK 2010/03/23

APPROVED BY DATE
DTTITUS 2010/06/08

MATERIAL NO.
130138011

SIZE
A

SCALE
NTS

DESIGN UNITS
INCH

THIRD ANGLE PROJECTION

TITLE
3065 W/25'12/3
60W33DPLX
26W47

MOLEX INCORPORATED

DOCUMENT NO.
SD-130138-003

SHEET NO.
1 OF 1

THIS DRAWING CONTAINS INFORMATION THAT IS PROPRIETARY TO MOLEX INCORPORATED AND SHOULD NOT BE USED WITHOUT WRITTEN PERMISSION

6

5

4

3

2

1