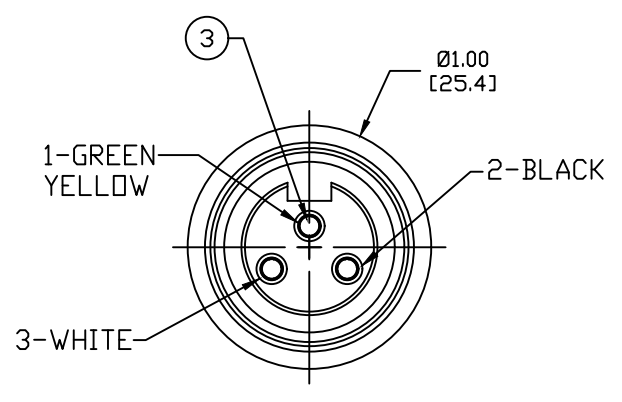
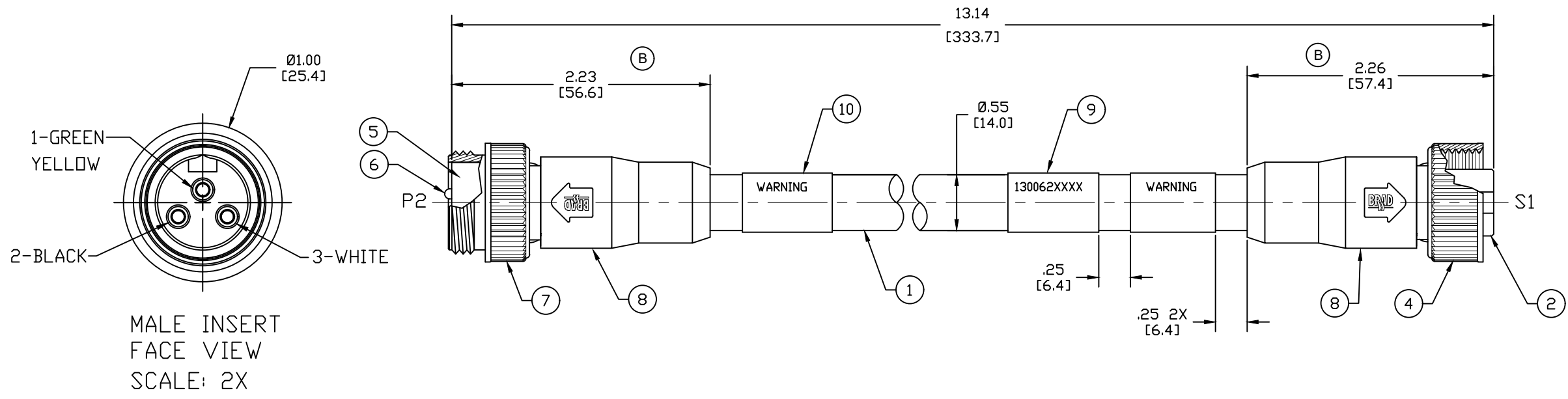


PART NO.	ENGINEERING NO.	FINISHED LENGTH
1300620044	113030A46M010	1.0M (3 FT 3IN)
1300620048	113030A46M030	3.0M (6 FT 7IN)
1300620054	113030A46M100	10.0M (32 FT 10IN)

(B) CABLE LENGTH TOLERANCES

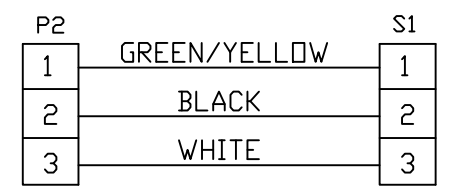
<.3M [1FT]:	+19mm-0 [+1.75in-0]
.3 - .9M [1 - 3FT]:	+44.5mm-0 [+1.75in-0]
.9 - 1.8M [3 - 6FT]:	+55.6mm-0 [+2.19in-0]
1.8 - 3.7M [6 - 12FT]:	+88.9mm-0 [+3.50in-0]
3.7 - 7.3M [12 - 24FT]:	+165.1mm-0 [+6.50in-0]
7.3-14.6M [24 - 48FT]:	+317.5mm-0 [+12.50in-0]
14.6 - 30.5M [48-100FT]:	+622.3mm-0 [+24.50in-0]
OVER 30M [100FT]	+2% OF FINISHED LENGTH



- (B) NOTES:
- MATERIAL: AS NOTED
  - FINISH: AS NOTED
  - ELECTRICAL:  
VOLTAGE: 4P: 483V PER IEC60664  
600V PER UL2237  
CURRENT: 15A
  - TEMP RATING: -20°TO +90°C
  - PROTECTION: IP67 (WHEN MATED)
  - COUPLING THREAD: 7/8-16UN
  - UL LISTED FILE: E258922
  - ALL DIMS ARE FOR REFERENCE UNLESS TOLERANCED OR NOTED OTHERWISE

PART NO. LEGEND  
**113030A46M020**

FINISHED LENGTH:  
M005= 0.5 METER  
M010= 1 METER  
M100= 10 METER



WIRING DIAGRAM

PRE-RELEASE  
REFERENCE  
USE ONLY

ITEM	DESCRIPTION	MATERIAL	FINISH
10	WARNING LABEL	VINYL	ORANGE/BLACK
9	WRAP LABEL	VINYL	BLACK/YELLOW
8	OVERMOLDS	TPE	GRAY
7	COUPLING, MALE	ZINC DIE-CAST	BLACK E-COAT
6	CONTACT PIN	COPPER ALLOY	GOLD PLATED
5	MALE INSERT (A-SIZE)	TPE	BLACK
4	COUPLING, FEMALE	ZINC DIE-CAST	BLACK E-COAT
3	CONTACT SOCKET	COPPER ALLOY	GOLD PLATED
2	FEMALE INSERT (A-SIZE)	TPE	BLACK
1	CABLE, 14/4, 90°C, 600V	PVC JACKET	GRAY

FUNCTIONAL SYMBOLS F=0 E=0 P=0	THIS DRAWING CONTAINS INFORMATION THAT IS PROPRIETARY TO MOLEX ELECTRONIC TECHNOLOGIES, LLC AND SHOULD NOT BE USED WITHOUT WRITTEN PERMISSION						
	DIMENSION UNITS	SCALE			CURRENT REV DESC: UPDATE PER LATEST DOC STD. BORDER, NOTES ECT, ADD CABLE LENGTH TOLS CORRECT O-MOLD STYLE TO 14AWG		
	INCH/MM	1:1	GENERAL TOLERANCES (UNLESS SPECIFIED)				
	4 PLACES ±----	±----	EC NO: ----				
3 PLACES ±----	±----	DRWN: RSTONE 2020/10/28					
2 PLACES ±----	±----	CHK'D: MZIELINSKI 2020/10/29					
1 PLACE ±----	±----	APPR: ----					
0 PLACES ±----	±----	INITIAL REVISION:					
ANGULAR TOL ± 0.5°		DRWN: EBRACKEN 2013/06/20					
		APPR: BWOODMAN 2013/08/14					
DRAFT WHERE APPLICABLE MUST REMAIN WITHIN DIMENSIONS	THIRD ANGLE PROJECTION	DRAWING	SERIES	DOCUMENT NUMBER	DOC TYPE	DOC PART	REVISION
		B-SIZE	130062	SD-130062-015	PSD	001	B
		SEE P/N CHART	CUSTOMER	GENERAL MARKET		SHEET NUMBER	
							1 OF 1