

A
board drillings

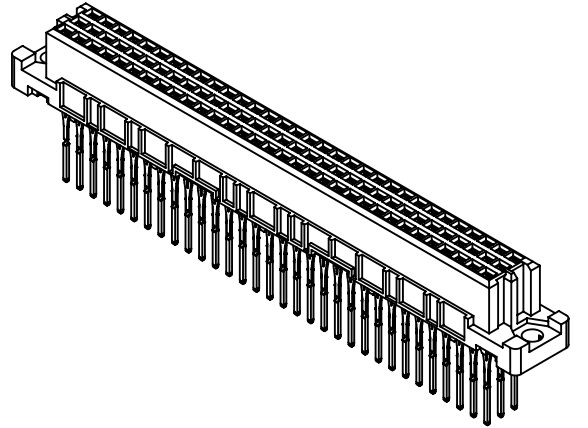
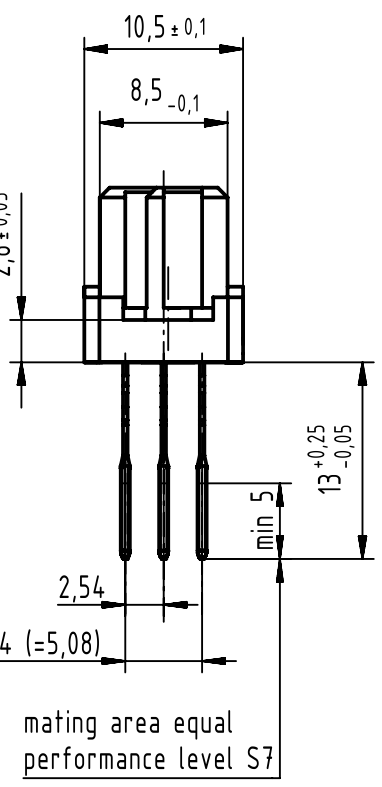
A
contact arrangement

96 press-in contacts

☒ = position with contact

☐ = position without contact

B (2:1)



① recommended configuration of plated through holes and further information see: DS 0903214.0001

09 03 296 8892	S7
part-no	performance level ①

	All rights reserved		Created by	Inspected by	Standardisation	Date	State
	Department EC PD - DE		STORCK	LEHNERT	KOHLER	2016-05-20	Final Release
HARTING Electronics GmbH		Title				Doc-Key / ECM-Nr.	
D-32339 Espelkamp		DIN Signal type C female press-in 13.0 96-pole				100072194/UGD/103/B 500000104.358	
		Type	Number		Rev.	Page	
		TB	09032968892		B	1/1	