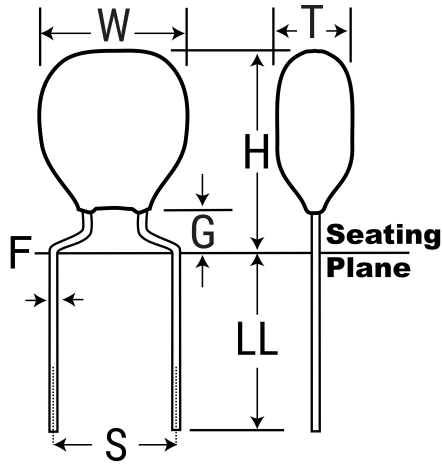


## T368C106M035AS

T368, Tantalum, MnO<sub>2</sub> Tantalum, Commercial Grade, 10 uF, 20%, 35 VDC, Radial, Solid Tantalum, Conformal, Rectangular Anode, Lead Spacing = 6.35mm



Click [here](#) for the 3D model.

### General Information

Series	T368
Dielectric	MnO <sub>2</sub> Tantalum
Style	Radial
Description	Radial, Solid Tantalum, Conformal, Rectangular Anode
Features	Rectangular Anode
RoHS	No
Prop 65	<b>⚠ WARNING:</b> Cancer and reproductive harm - <a href="http://www.p65warnings.ca.gov">http://www.p65warnings.ca.gov</a> .
SCIP Number	0c1392c3-c7b9-4178-827c-fa26617a3178
Termination	Lead (SnPb)
AEC-Q200	No
Notes	Longest Lead Is Positive.

### Specifications

Capacitance	10 uF
Capacitance Tolerance	20%
Voltage DC	35 VDC (85C), 1.75 VDC (85C Reverse)
Temperature Range	-55/+85°C
Dissipation Factor	6%
Leakage Current	2.8 uA

### Dimensions

W	10.16mm
H	10.67mm +2.54mm
T	6.35mm
S	6.35mm +/-0.38mm
LL	4.75mm +/-0.81mm
F	0.64mm +/-0.05mm

### Packaging Specifications

Packaging	Bulk, Bag
Packaging Quantity	500

Statements of suitability for certain applications are based on our knowledge of typical operating conditions for such applications, but are not intended to constitute - and we specifically disclaim - any warranty concerning suitability for a specific customer application or use. This information is intended for use only by customers who have the requisite experience and capability to determine the correct products for their application. Any technical advice inferred from this information or otherwise provided by us with reference to the use of our products is given gratis, and we assume no obligation or liability for the advice given or results obtained.