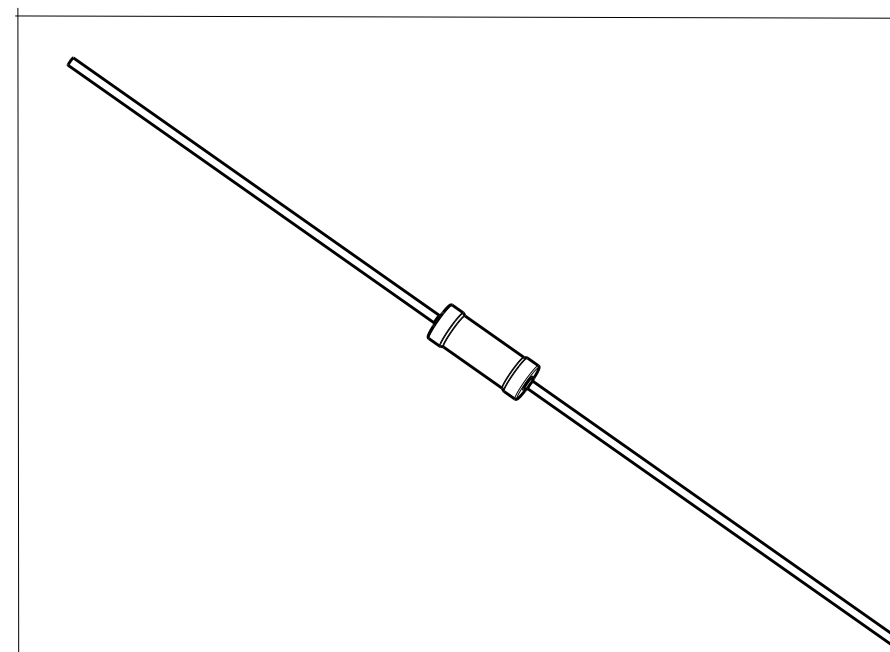
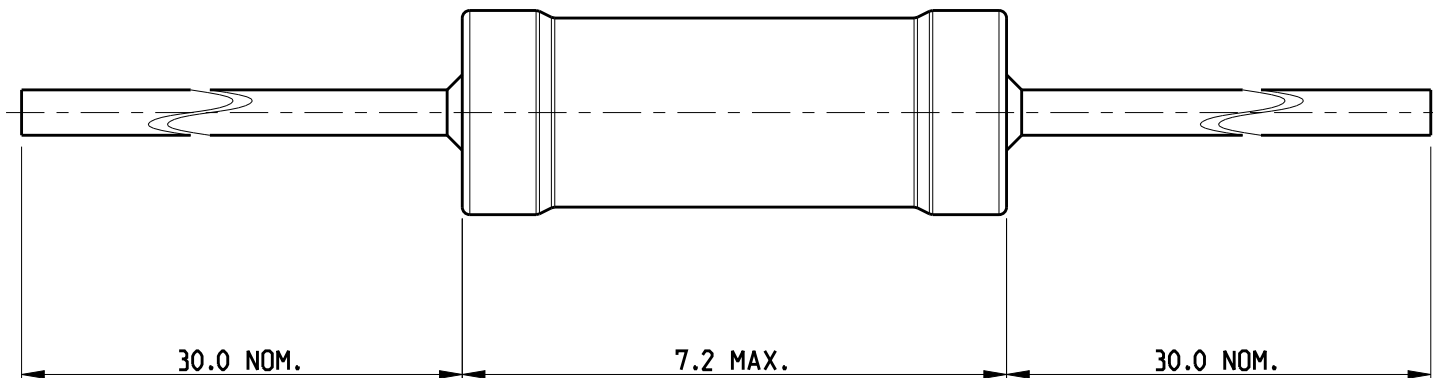
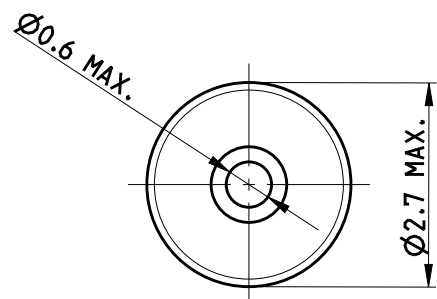


© 2019 TE Connectivity. All Rights Reserved.

REVISIONS

P	LTR	DESCRIPTION	DATE	DWN	APVD
	BA	NEW RELEASE	24 JUNE 2010	PT	St.P
	BA1	REVISED PER ECR-19-005196	02 APR 2019	SR	AP

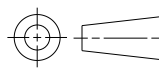
FOR FURTHER INFORMATION SEE DATA SHEET FOR SERIES HOLCO, AXIAL LEADED PRECISION RESISTORS



RoHS Compliant

THIS DRAWING IS A CONTROLLED DOCUMENT.

DIMENSIONS: mm



TOLERANCES UNLESS OTHERWISE SPECIFIED:

0 PLC	±0.2
1 PLC	±0.1
2 PLC	±
3 PLC	±
4 PLC	±
ANGLES	±5°

MATERIAL -

FINISH -

DWN 24 JUNE 2010  
 PARUSURAM.T  
 CHK 24 JUNE 2010  
 ALLAN.P  
 APVD 24 JUNE 2010  
 STEPHEN.P

PRODUCT SPEC -  
 APPLICATION SPEC -  
 WEIGHT -

**TE** TE Connectivity

NAME AXIAL LEADED PRECISION RESISTORS  
 SERIES HOLCO H8

SIZE	CAGE CODE	DRAWING NO	RESTRICTED TO
A3	00779	C-1879665	

CUSTOMER DRAWING SCALE 10:1 SHEET 1 OF 1 REV BA1