

SUMMARY

Wires

Triax 1



Image is for illustrative purpose only

Series 00
Termination type Male solder
IP rating 50
AWG wire size 0.00 - 0.00
Cable Ø 2.30 - 2.70 mm
Status active
Matching parts [PCA.00.650.CLLC27](#)

Download

[Request a quote](#)

[Catalog](#)

TECHNICAL DETAILS

Mechanics

Shell Style/Model FFC*: Straight plug with flats on latch sleeve and cable collet, black POM (Delrin®) outershell)
Keying Circular, male
Housing Material Brass (chrome plated [SAE AMS 2460]) shell and collet nut, nickel plated [SAE AMS QQ N 290] brass latch sleeve and mid pieces
Weight 3.52 g

Performance

Configuration 00.650 : 1 Triax (50 Ohm)
Insulator L: PEEK (UL 94 / V-0/1.5)
Rated Current 3 Amps

Specifications

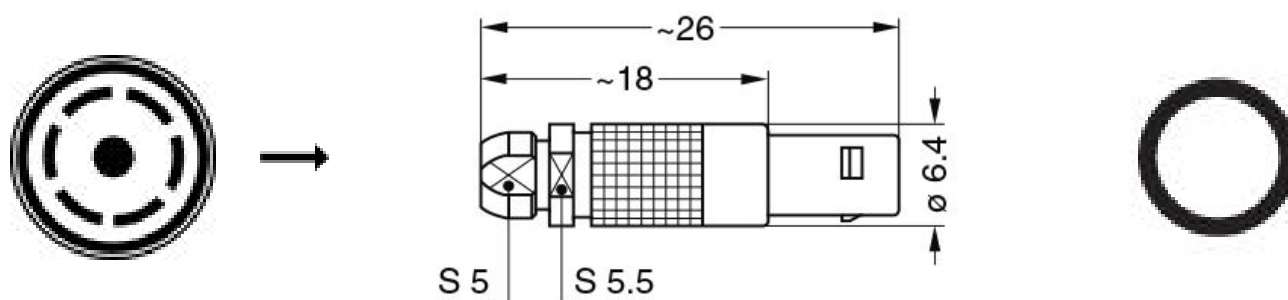
Contact Type: Triaxial 50 Ohm (Solder)
Contact Dia.: 0.5 mm (0.02" in)
Vtest: 1200 V (AC), 1700 V (DC)
Impedance: 50 Ohm
VSWR: 1.1 + 0.11 * f / GHz

Others

LEMO products and services are provided "as is". LEMO makes no warranties or representations with regard to LEMO product & services or use of them, express, implied or statutory, including for accuracy, completeness, or security. The user is fully responsible for his products and applications using LEMO components.

Endurance (Shell): 5000 mating cycles
Salt Spray Corrosion: >1000 hr

DRAWINGS



RECOMMENDED BY LEMO

Tools

Spanner wrench: [DCD.00.003.PA050](#)

Cables

LEMO products and services are provided "as is". LEMO makes no warranties or representations with regard to LEMO product & services or use of them, express, implied or statutory, including for accuracy, completeness, or security. The user is fully responsible for his products and applications using LEMO components.