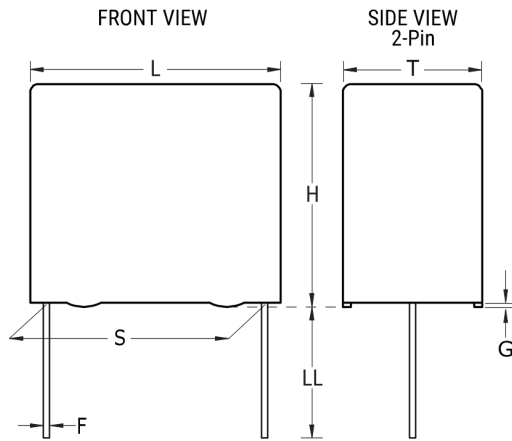


## F873FT274M760Z

F873, Film, Metallized Polypropylene, Safety, 0.27 uF, 20%, 760 VAC (X1), 1500 VDC, 110°C, Lead Spacing = 27.5mm



Click [here](#) for the 3D model.

### Dimensions

L	31.5mm -0.7mm
H	19mm -0.7mm
T	31mm -0.7mm
S	27.5mm +/-0.4mm
LL	4mm +2mm
F	0.8mm +/-0.05mm
G	0.5mm NOM

### Packaging Specifications

Packaging	Pizza, Box
Packaging Quantity	100

### General Information

Series	F873
Dielectric	Metallized Polypropylene
Style	Radial
Features	MKP EMI Safety
RoHS	Yes
Lead	Cut/Short
Safety Class	X1
Qualifications	ENEC, UL, cUL, CQC
AEC-Q200	No
THB Performance	No
Component Weight	20 g
Miscellaneous	ClimCat: 40/110/56/B.
Shelf Life	104 Weeks

### Specifications

Capacitance	0.27 uF
Capacitance Tolerance	20%
Voltage AC	760 VAC (X1)
Voltage DC	1500 VDC
Temperature Range	-40/+110°C
Rated Temperature	110°C
Dissipation Factor	0.1% 1kHz
Insulation Resistance	30 GOhms
Max dV/dt	225 V/us