

DESCRIPTION: 979 SERIES D-SUB BACKSHELL - DIE CAST

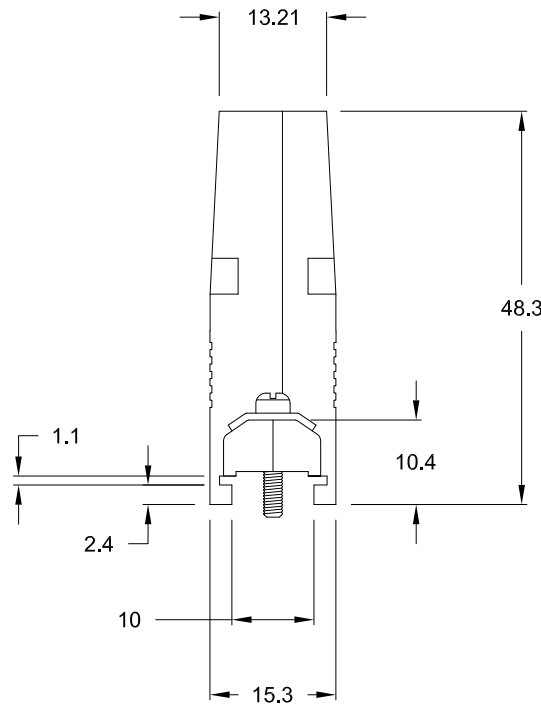
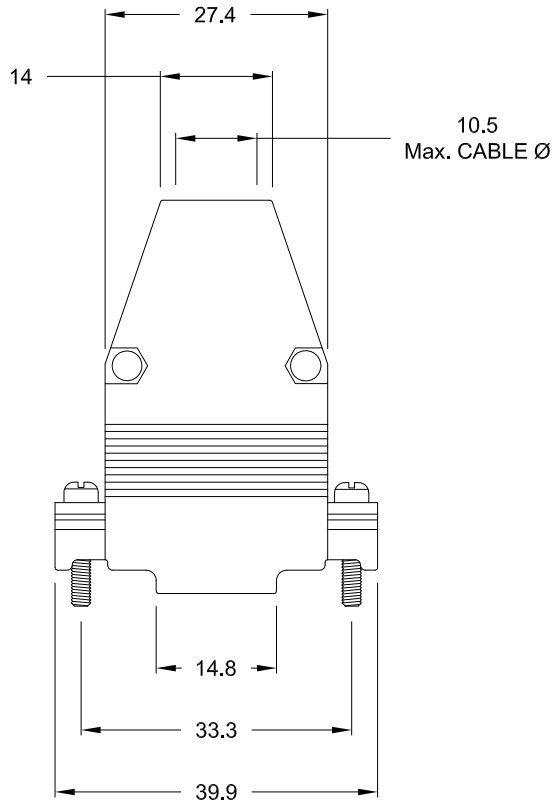
ALL TOLERANCES = ± 0.3
UNLESS OTHERWISE INDICATED

DESIGNED TO ACCOMMODATE STANDARD:
D-SUB - Shell Size 2

BACKSHELL KIT INCLUDES:

- 2 - BACKSHELL HALVES
- 2 - 4-40 MATING SCREWS
- 2 - SADDLE WASHERS
- 2 - HOUSING SCREWS
- 2 - HOUSING NUTS
- 1 - GROMMET TREE - VARIOUS SIZES
(NON-CONDUCTIVE GROMMETS)

MATERIAL: DIE-CAST ZINC ALLOY
PLATING: NICKEL
OPERATING TEMPERATURE: -45°C TO +120°C




979-015-030 R 12 1

SERIES 979
POSITIONS 015
MATERIAL 030 = ZINC
RoHS COMPLIANT
R = HIGH TEMP. PROCESS
PLATING 12 = NICKEL
PUT-UPS 1 = KIT

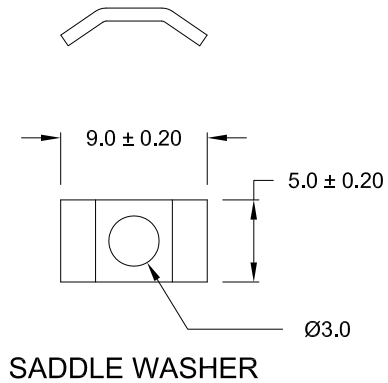
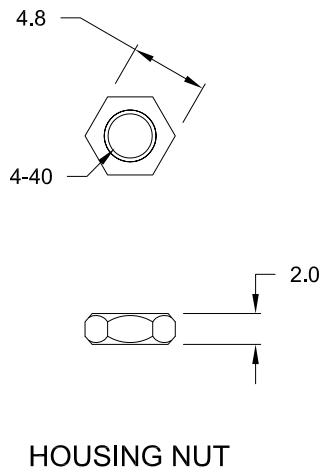
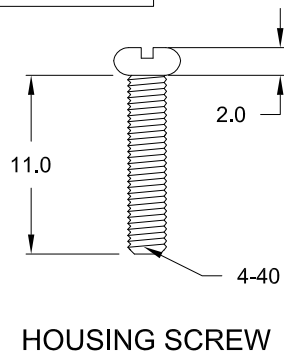
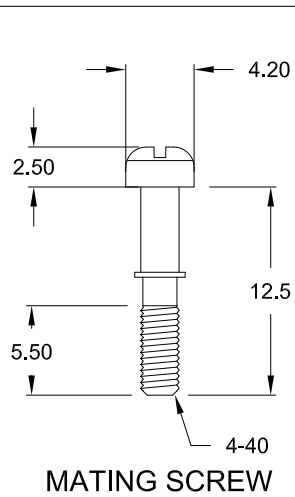
UNITS = mm

DO NOT SCALE FROM DRAWING

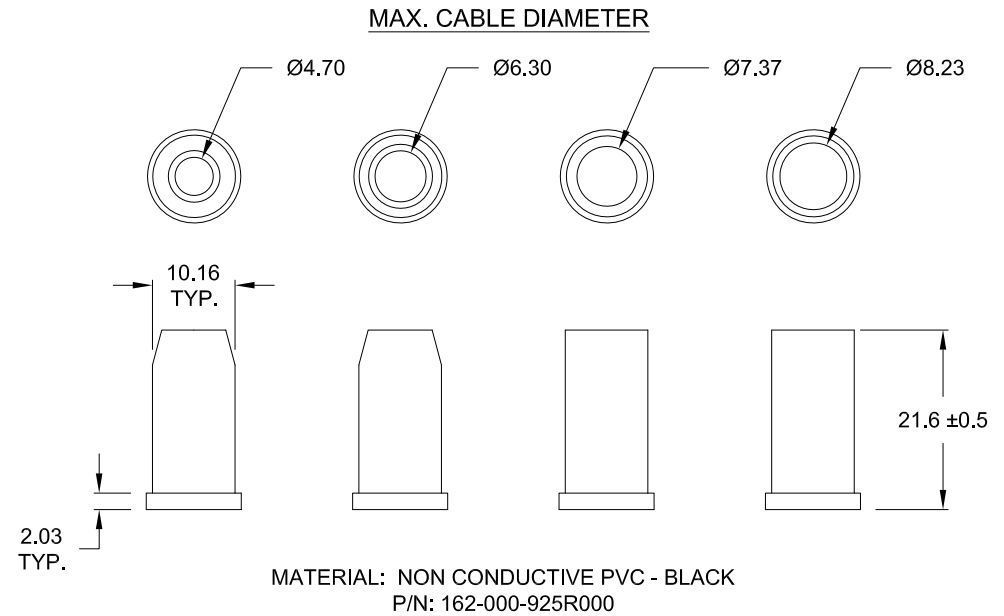
RoHS COMPLIANT

	THESE DRAWINGS AND SPECIFICATIONS ARE THE PROPERTY OF NorComp AND SHALL NOT BE REPRODUCED, COPIED OR USED AS THE BASIS FOR THE MANUFACTURE OF SALE OF APPARATUS WITHOUT WRITTEN PERMISSION.		DRAWN: C. SMITH	DATE: 04-20-10
	<h1>NorComp</h1>		SCALE: NTS	SHEET 1 OF 2
DWG NO. 979-015-030R121				

DESCRIPTION: 979 SERIES D-SUB BACKSHELL - HARDWARE



ALL HARDWARE:
MATERIAL = STEEL
PLATING = NICKEL



UNITS = mm

DO NOT SCALE FROM DRAWING

RoHS COMPLIANT



THESE DRAWINGS AND SPECIFICATIONS ARE THE PROPERTY OF NorComp AND SHALL NOT BE REPRODUCED, COPIED OR USED AS THE BASIS FOR THE MANUFACTURE OF SALE OF APPARATUS WITHOUT WRITTEN PERMISSION.

DRAWN: C. SMITH		DATE: 04-20-10	
SCALE: NTS	SHEET 2	OF 2	REV 6
DWG NO.		979-015-030R121	

NorComp