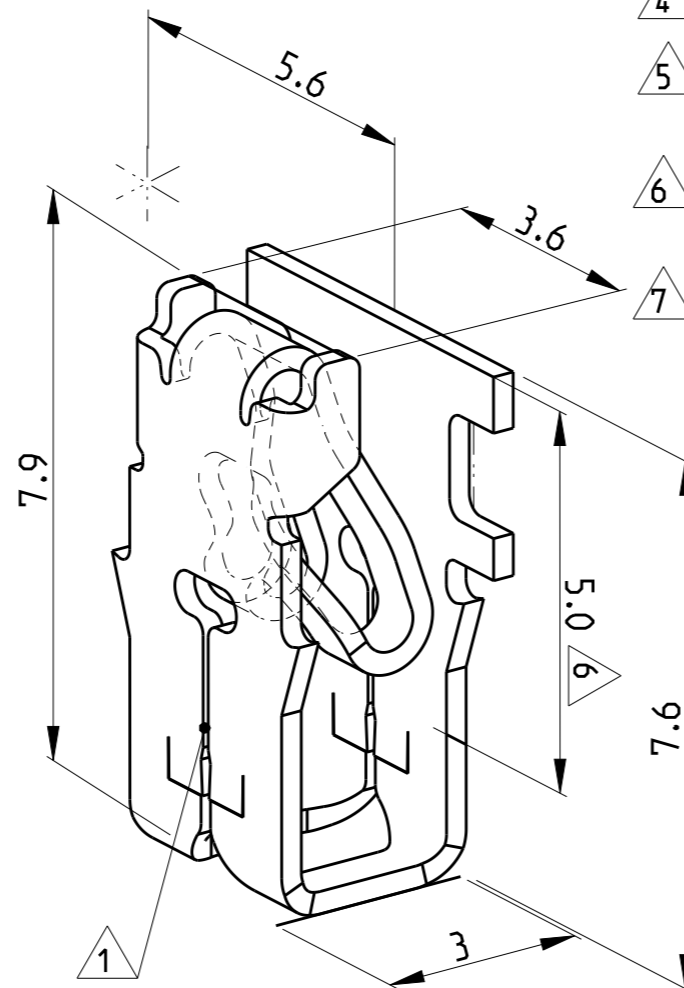
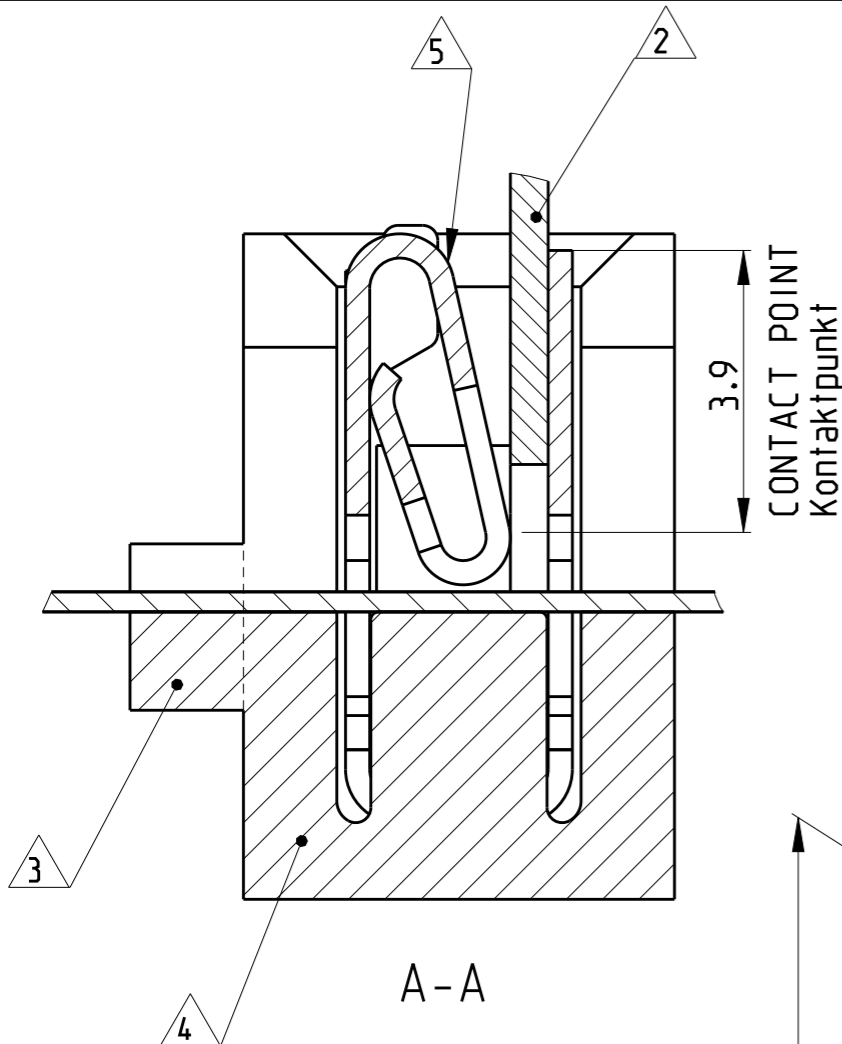


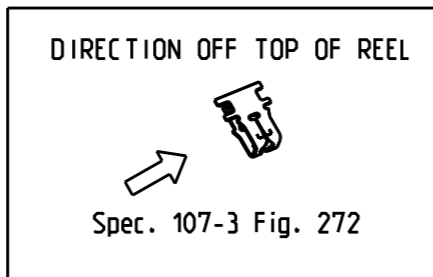
THIS DRAWING IS UNPUBLISHED
 RELEASED FOR PUBLICATION 2008
 © COPYRIGHT 2008 TE CONNECTIVITY ALL RIGHTS RESERVED.

LOC	DIST	REVISIONS					
		P	LTR	DESCRIPTION	DATE	DWN	APVD
IR	-		E12	1-964337-2 PACKAGING DETAILS HAS BEEN CHANGED	30MAY2017	SV	PKS
			E13	3-964337-2 REMOVED FROM GENERAL SALES	29JAN2020	JA	PKS



- 1 SLOT ACCEPTS SINGLE OR DOUBLE MAGNET WIRE
SAME DIAMETERS $\varnothing 0.18 \dots 0.265 \text{mm}$
Kontakt geeignet fuer
Lackdraht $\varnothing 0.18 \dots 0.265 \text{mm}$
(Einzeldraht oder zwei Draehnte gleichen Durchmessers)
- 2 POKE IN TAB TERMINAL 3.4x0.5mm
Poke in Flachstecker 3.4x0.5mm
- 3 AREA WILL BE CUT BY TERMINATION
Bereich wird beim Kontaktieren abgetrennt
- 4 CAVITY ACCORDING TO TE SPEC. 411-18512
Kontakt Kammer nach TE Spec. 411-18512
- 5 IDENTIFICATION NO. FOR MAGNET WIRE RANGE (4)
Kennziffer fuer Lackdrahtbereich (4)
- 6 OVER THE MARKED LENGTH:
SELECTIVE Min. 0.4 μm GOLD OVER NI
Ueber die gekennzeichnete Laenge:
Selektiv Min. 0.4 μm Gold ueber Ni
- 7 REELED WITH PAPER INTERLAYER 0-737976-1
ON PLASTICREEL 1-725652-0
Reeling mit Papierzwischenlage 0-737976-1
auf Kunststoffspulen 1-725652-0
- 8 REELED WITH PAPER INTERLAYER 0-782504-1
ON PLASTICREEL 0-725652-4
Reeling mit Papierzwischenlage 0-782504-1
auf Kunststoffspulen 0-725652-4
- 9 QUANTITY 15000 PCS./REEL
Mengeinheit 15000 stk./ spule
- 10 QUANTITY 10000 PCS./REEL
Mengeinheit 10000 stk./ spule
- 11 REELED WITH PAPER INTERLAYER 782504-9
ON CARDBOARD REEL 1-973053-3
Reeling mit Papierzwischenlage 782504-9
auf Pappbandspule 1-973053-3
- 12 REELED WITH PAPER INTERLAYER 1-782504-1
ON PLASTIC REEL 1-973162-3
Reeling mit Papierzwischenlage 1-782504-1
auf Kunststoffspulen 1-973162-3

NOTE	PART NO	REV.	PCS.	MATERIAL	SURFACE COLOUR
	3-964337-7	7	A	CuNiSi	FLASH GOLD OVER NICKEL
	2-964337-7	8	B	CuNiSi	FLASH GOLD OVER NICKEL
	2-964337-2	7	A	CuNiSi	TIN PLATED
SUPERSEDED BY PN 2-964337-7	1-964337-7	8	A	CuNiSi	FLASH GOLD OVER NI
	1-964337-2	10	C	CuNiSi	PRE TINNED
SUPERSEDED BY PN 2-964337-7	964337-7	7	B	CuNiSi	FLASH GOLD OVER NI
	964337-3	7	C	CuZn	PRE TINNED
	964337-2	7	C	CuNiSi	PRE TINNED
	964337-1	7	B	CuNiSi	BLANK



THIS DRAWING IS A CONTROLLED DOCUMENT.

DWN Rudolph 15-03-95
 CHK H. Plösser 20-03-95
 APVD -

TE Connectivity

MAG MATE LEAF TERMINAL MARK II

PRODUCT SPEC 108-2012
 APPLICATION SPEC 114-2046
 WEIGHT -

SIZE A3 CAGE CODE 00779 DRAWING NO C-964337 RESTRICTED TO -

MATERIAL SEE TABLE FINISH SEE TABLE

CUSTOMER DRAWING SCALE 10:1 SHEET 1 OF 1 REV E13