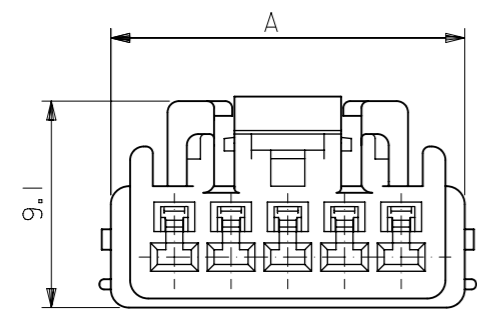
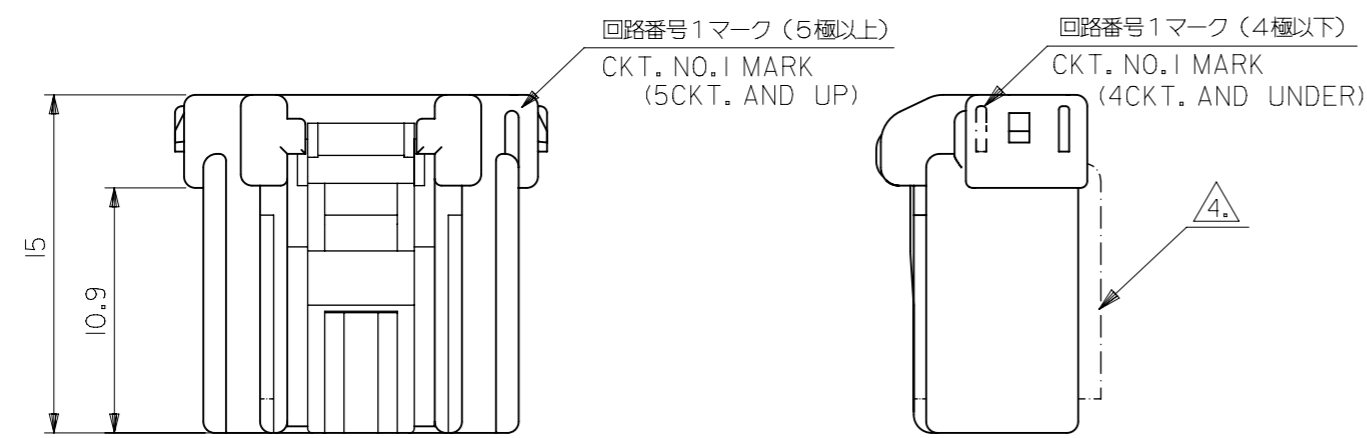
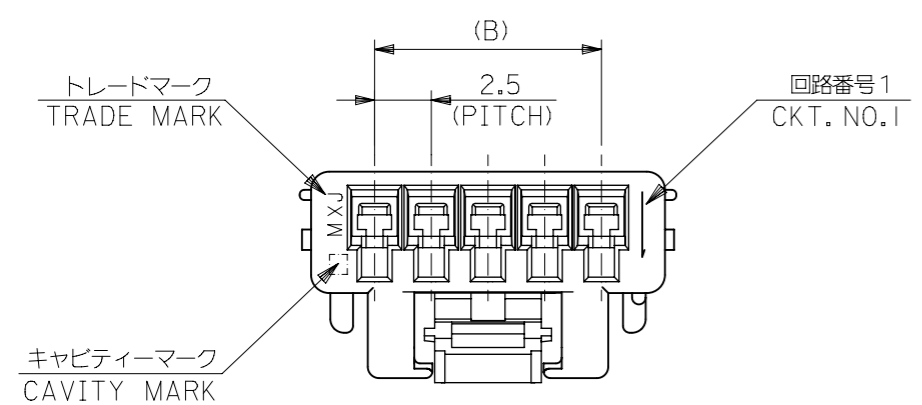
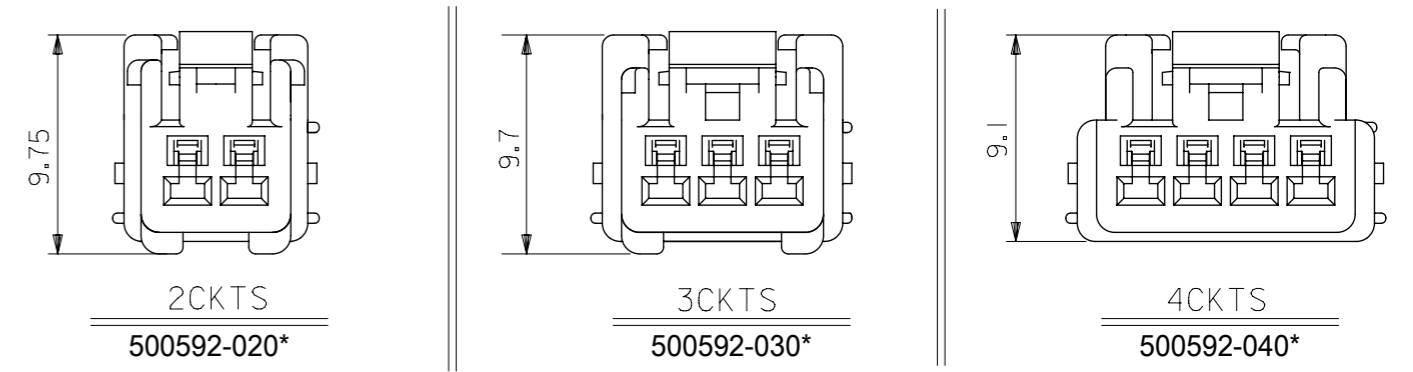


SHAPE OF
500592-050*

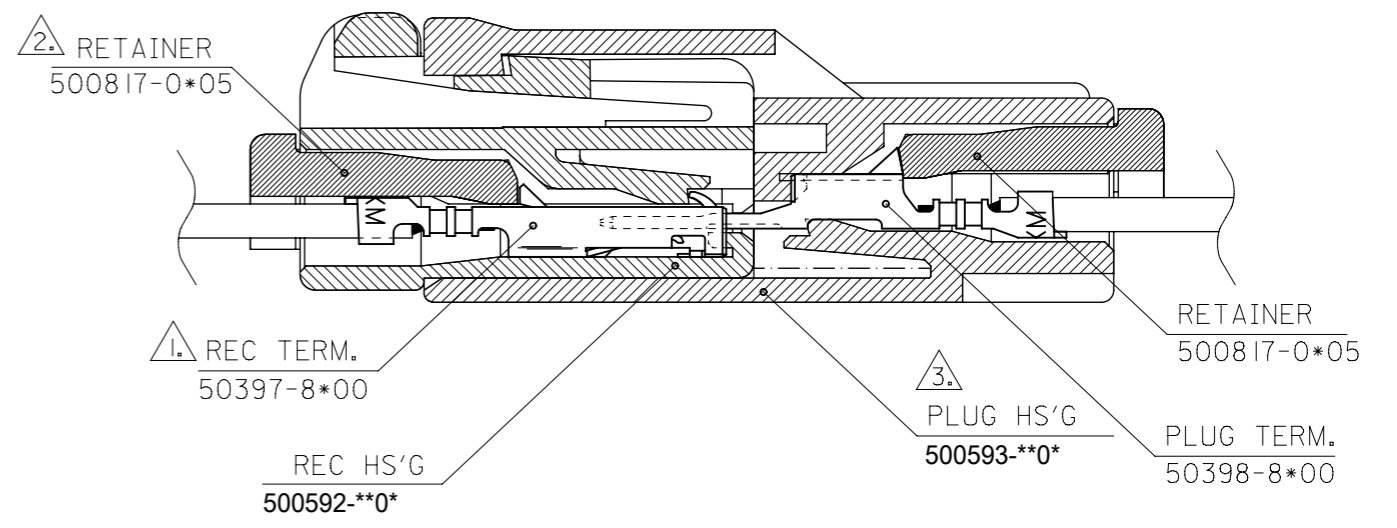


- 注記
NOTES
1. 適合ターミナル : 50397シリーズ
APPLICABLE TERMINAL : 50397 SERIES
 2. 適合リテーナー : 500817シリーズ
APPLICABLE RETAINER : 500817 SERIES
 3. 嵌合相手 : 500593シリーズ
MATE WITH : 500593 SERIES
 4. 2及び3極に適用。
APPLY 2&3 CIRCUITS.
 5. 材質 : PBT (UL94V-0)
MATERIAL : PBT(UL94V-0)

4極以下での極数レイアウト図
LAYOUT OF 2/3/4CKTS.



ターミナル装着状態図
TERMINAL ASSEMBLY DRAWING



6. MATERIAL NO. は以下の内容を示す。

MATERIAL NO. :
500592-**0*

- 極数
CKT
- 色
COLOR
- 0: 自然色 NATURAL
 - 1: 黒 BLACK
 - 2: 赤 RED
 - 3: 黄色 YELLOW
 - 4: 青 BLUE
 - 6: 緑 GREEN

PRE-RELEASE
REFERENCE
USE ONLY

500592-**0* MODEL NO.

THIS DRAWING CONTAINS INFORMATION THAT IS PROPRIETARY TO MOLEX ELECTRONIC TECHNOLOGIES, LLC AND SHOULD NOT BE USED WITHOUT WRITTEN PERMISSION											
DIMENSION UNITS	SCALE	CURRENT REV DESC: OBSOLETE PART NUMBERS AS PER PCN#512131.									
mm	NTS	<div style="text-align: center; font-size: 2em; font-weight: bold;">molex</div> <p>2.5MM WIRE TO WIRE CONN RECEPTACLE HOUSING</p> <p>PRODUCT CUSTOMER DRAWING</p>									
GENERAL TOLERANCES (UNLESS SPECIFIED)											
ANGULAR TOL	± 3.0°										
4 PLACES	± 0.2										
3 PLACES	± 0.25										
2 PLACES	± 0.3	EC NO: 727779	DRWN: ANIKES1	2022/10/26	DOCUMENT NUMBER				DOC TYPE	DOC PART	REVISION
1 PLACE	±	CHK'D: GGA	APPR: GGA	2022/11/29	SD-500592-001				PSD	001	C
0 PLACES	±	INITIAL REVISION:	DRWN: TODA	2004/06/11	MATERIAL NUMBER				CUSTOMER		SHEET NUMBER
DRAFT WHERE APPLICABLE MUST REMAIN WITHIN DIMENSIONS		THIRD ANGLE PROJECTION	DRAWING	SERIES	SEE TABLE		GENERAL MARKET		1 OF 2		

10

9

8

7

6

5

4

3

2

1

F

F

E

E

D

D

C

C

B


B

A

A

500593-080*	500817-0805	17.5	23.1	8	---	---	---	---	500592-0800	
↑ -070*	↑ -0705	15	20.6	7	---	---	---	---	↑ -0700	
-060*	-0605	12.5	18.1	6	---	---	---	---	-0600	
-050*	-0505	10	15.6	5	---	---	---	---	-0500	500592-***
-040*	-0405	7.5	13.1	4	---	500592-0403	---	---	-0400	
↓ -030*	↓ -0305	5	10.6	3	500592-0304	---	---	---	↓ -0300	
500593-020*	500817-0205	2.5	8.1	2	500592-0204	500592-0203	500592-0202	500592-0201	500592-0200	
MATE WITH	CONFORTABLE-RETAINER	B	A	CKT.	BLUE	YELLOW	RED	BLACK	NATURAL	MODEL NO.

PRE-RELEASE
REFERENCE ONLY
USE ONLY

THIS DRAWING CONTAINS INFORMATION THAT IS PROPRIETARY TO MOLEX ELECTRONIC TECHNOLOGIES, LLC AND SHOULD NOT BE USED WITHOUT WRITTEN PERMISSION									
DIMENSION UNITS		SCALE		CURRENT REV DESC: OBSOLETE PART NUMBERS AS PER PCN#512131.					
mm		NTS		 2.5MM WIRE TO WIRE CONN RECEPTACLE HOUSING PRODUCT CUSTOMER DRAWING					
GENERAL TOLERANCES (UNLESS SPECIFIED)									
ANGULAR TOL ± 3.0 °									
4 PLACES ± 0.2		EC NO: 727779							
3 PLACES ± 0.25		DRWN: ANIKES1 2022/10/26							
2 PLACES ± 0.3		CHK'D: GGA 2022/11/29							
1 PLACE ±		APPR: GGA 2022/11/29							
0 PLACES ±		INITIAL REVISION:							
DRAFT WHERE APPLICABLE MUST REMAIN WITHIN DIMENSIONS		DRWN: TODA 2004/06/11		DOCUMENT NUMBER		DOC TYPE		DOC PART	
THIRD ANGLE PROJECTION		APPR: YOITO 2004/06/16		SD-500592-001		PSD		001	
DRAWING		SERIES		MATERIAL NUMBER		CUSTOMER		REVISION	
A3-SIZE		500592		SEE TABLE		GENERAL MARKET		2 OF 2	

DOCUMENT STATUS	P1	RELEASE DATE	2022/11/29	12:45:08
-----------------	----	--------------	------------	----------

FORMAT: master-b-prod-A3 REVISION: 11 DATE: 2021/05/01