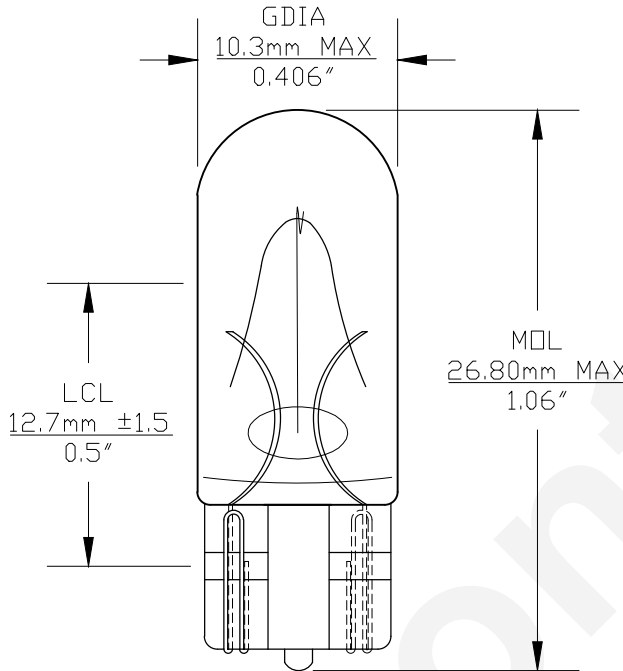
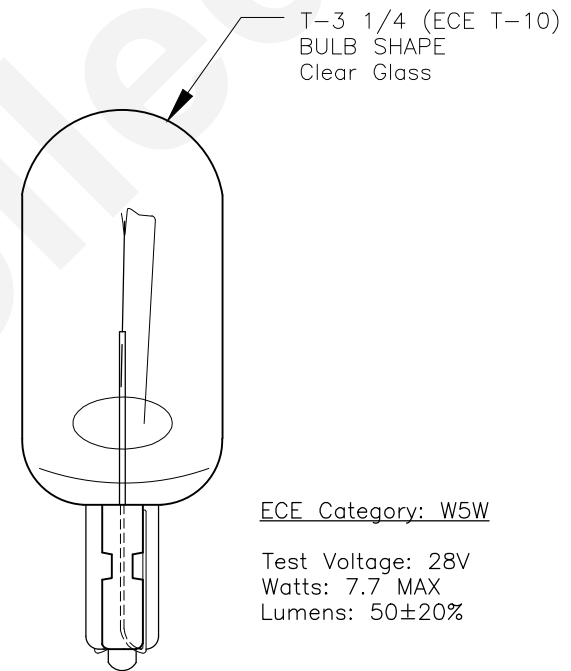




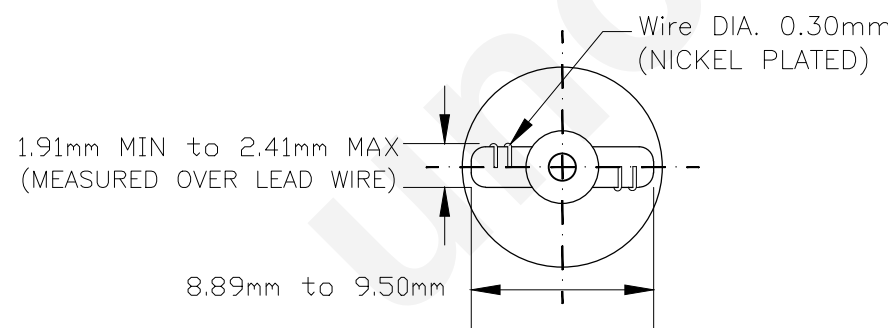
PART NO.	BASE TYPE	DESIGN VOLTS	DESIGN AMPS	MSCD	FILAMENT TYPE	AVERAGE LIFE HOURS	REVISIONS			
							REV #	DESCRIPTION	DATE	APPROVED
2845	Glass Wedge T-3 1/4 (W2.1X9.5d)	28.0V	0.21±10%	2.45 ±20%	C-2V	200	1	ISSUED	08/03/2009	D.C.
							2	REDRAWN FOR ADDITIONAL VIEWS	08/28/2014	R.M.



0° VIEW



90° VIEW



BASE BOTTOM VIEW



Note: Made according to ECE/R37 specifications

UNLESS OTHERWISE SPECIFIED: DIMENSIONS ARE IN INCHES TOLERANCES		CEC INDUSTRIES LTD			
DECIMALS .XX ± .05		599 BOND STREET		LINCOLNSHIRE, IL 60069	
ANGULAR .XXX ± .010		TITLE LIGHT BULB NO. 2845 (W5W 24V)			
FRACTIONAL ±1/64		SIZE A	FSCM NO.	DWG NO. 2845	REV 2
DRAWN D. C.	DATE 08/03/2009	SCALE	PLOT SCALE	SHEET 1 OF 1	
CHECKED		MATERIAL	FILE 2845.pdf	DRAWING NOT TO SCALE	