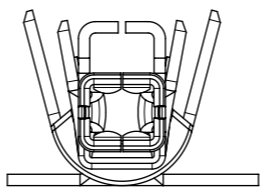
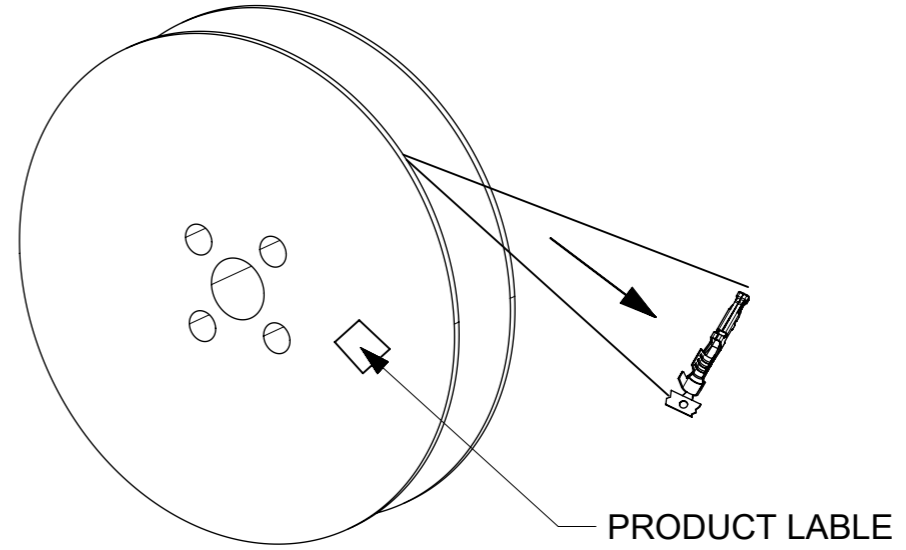
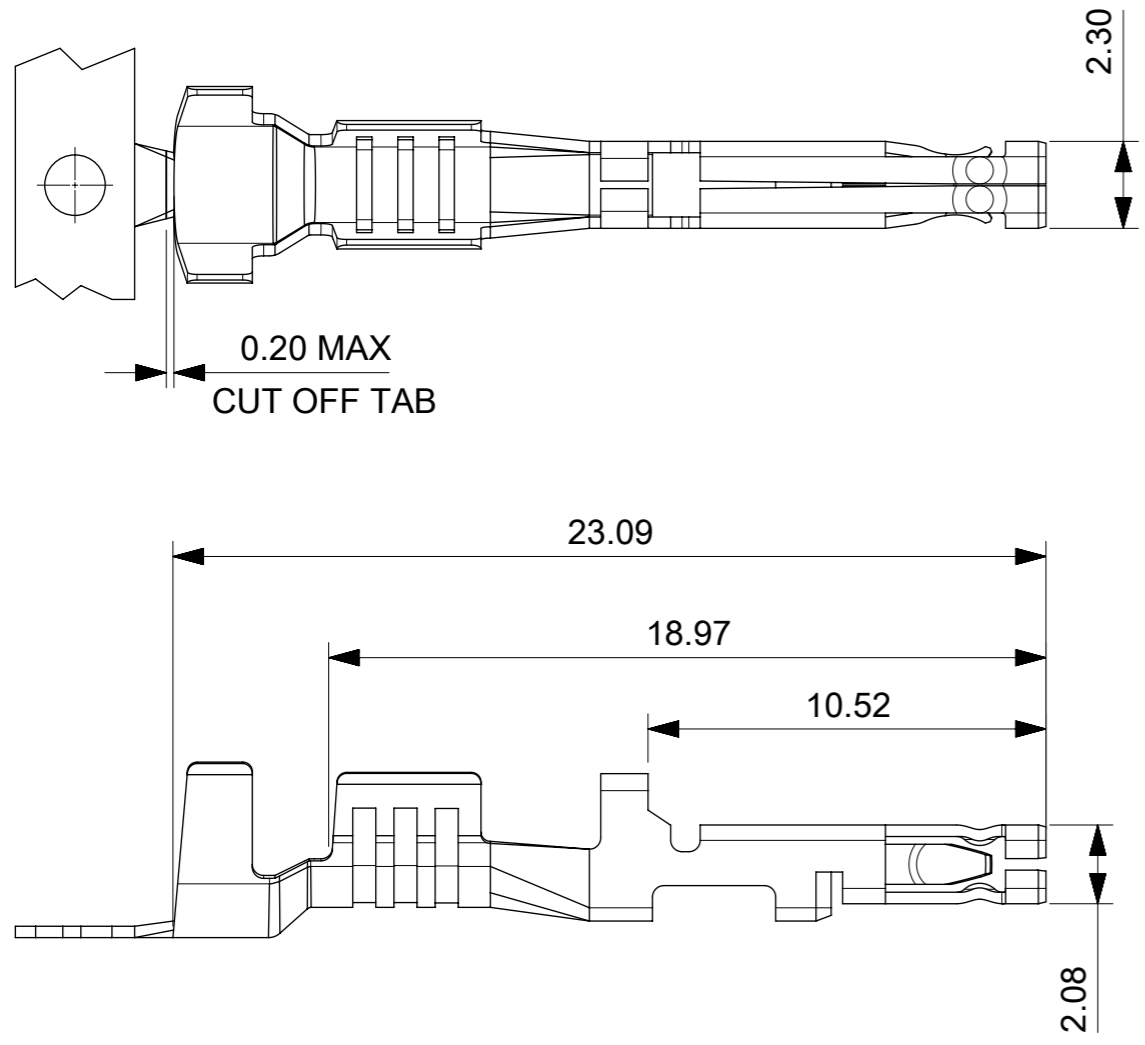
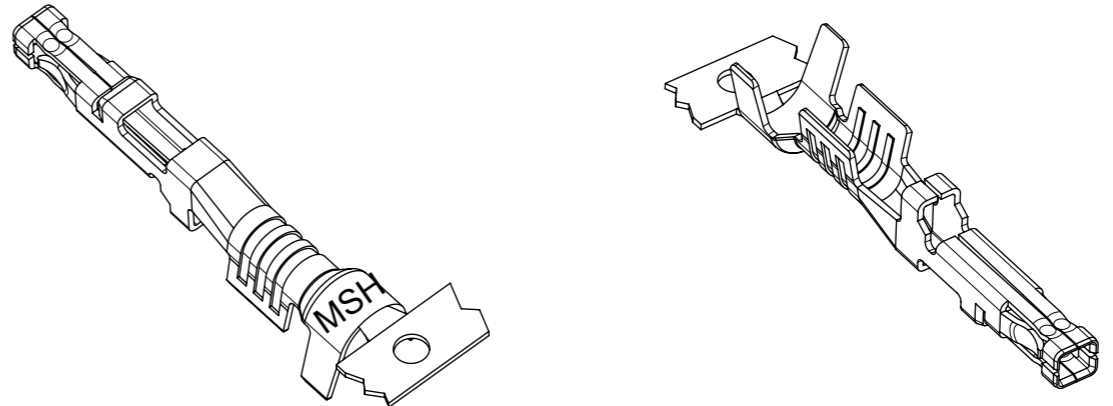


WIRE GAUGE	PART NUMBER	PLATING OPTION	LUBED
12AWG	76823-0343	HOT DIP TIN PREPLATE-OVERALL 1.0μm(40μ") MIN	YES
14/16AWG	76823-0344		
12AWG	172063-0333	15u" GOLD 0.38μm(15μ") GOLD CONTACT AREA, 1.5μm(60μ")-2.5μm(100μ") MATTE TIN, OVER 1.25μm(50μ")-2.5μm(100μ") NICKEL OVERALL	YES
14/16AWG	172063-0334		
12AWG	172063-1333	30u" GOLD 0.76μm(30μ") GOLD CONTACT AREA, 1.5μm(60μ")-2.5μm(100μ") MATTE TIN, OVER 1.25μm(50μ")-2.5μm(100μ") NICKEL OVERALL	YES
14/16AWG	172063-1334		



- NOTES:
1. MATERIAL: HIGH CONDUCTIVITY COPPER ALLOY.
 2. FINISH: SEE CHART.
 3. PRODUCT SPECIFICATION: 1720631000-PS/1054171000-PS.
 4. PACKAGING SPECIFICATION: REEL PER 768230200
 5. TERMINAL USED WITH MOLEX SERIES RECEPTACLE: 171692/200456
 6. APPLICATION SPECIFICATION: 768232000-AS

SYMBOLS		THIS DRAWING CONTAINS INFORMATION THAT IS PROPRIETARY TO MOLEX ELECTRONIC TECHNOLOGIES, LLC AND SHOULD NOT BE USED WITHOUT WRITTEN PERMISSION		CURRENT REV DESC:		molex	
▽ = 0	mm	SCALE	4:1	EC NO: 628261			
▽ = 0	GENERAL TOLERANCES (UNLESS SPECIFIED)		DRWN: ALUO02		2019/11/28	MEGA-FIT W/O FIXED 14/16 AND 12 AWG WIRE	
▽ = 0	ANGULAR TOL ± 0.5°		CHK'D: AYIN		2019/12/11	PRODUCT CUSTOMER DRAWING	
▽ = 0	4 PLACES	±	APPR: AYIN		2019/12/11	DOCUMENT NUMBER	
▽ = 0	3 PLACES	±	INITIAL REVISION:		768230200		DOC TYPE
▽ = 0	2 PLACES	± 0.25	DRWN: YXZHENG		2016/12/15	PSD	DOC PART
▽ = 0	1 PLACE	± 0.35	APPR: YXZHENG		2018/08/06	000	REVISION
▽ = 0	0 PLACES	±	THIRD ANGLE PROJECTION		SEE CHART		C1
□ = 0	DRAFT WHERE APPLICABLE MUST REMAIN WITHIN DIMENSIONS		DRAWING		SERIES	MATERIAL NUMBER	CUSTOMER
▽ = 0			A3-SIZE		76823	GENERAL MARKET	SHEET NUMBER
DOCUMENT STATUS		P1	RELEASE DATE	2019/12/11	04:25:01	1 OF 2	

