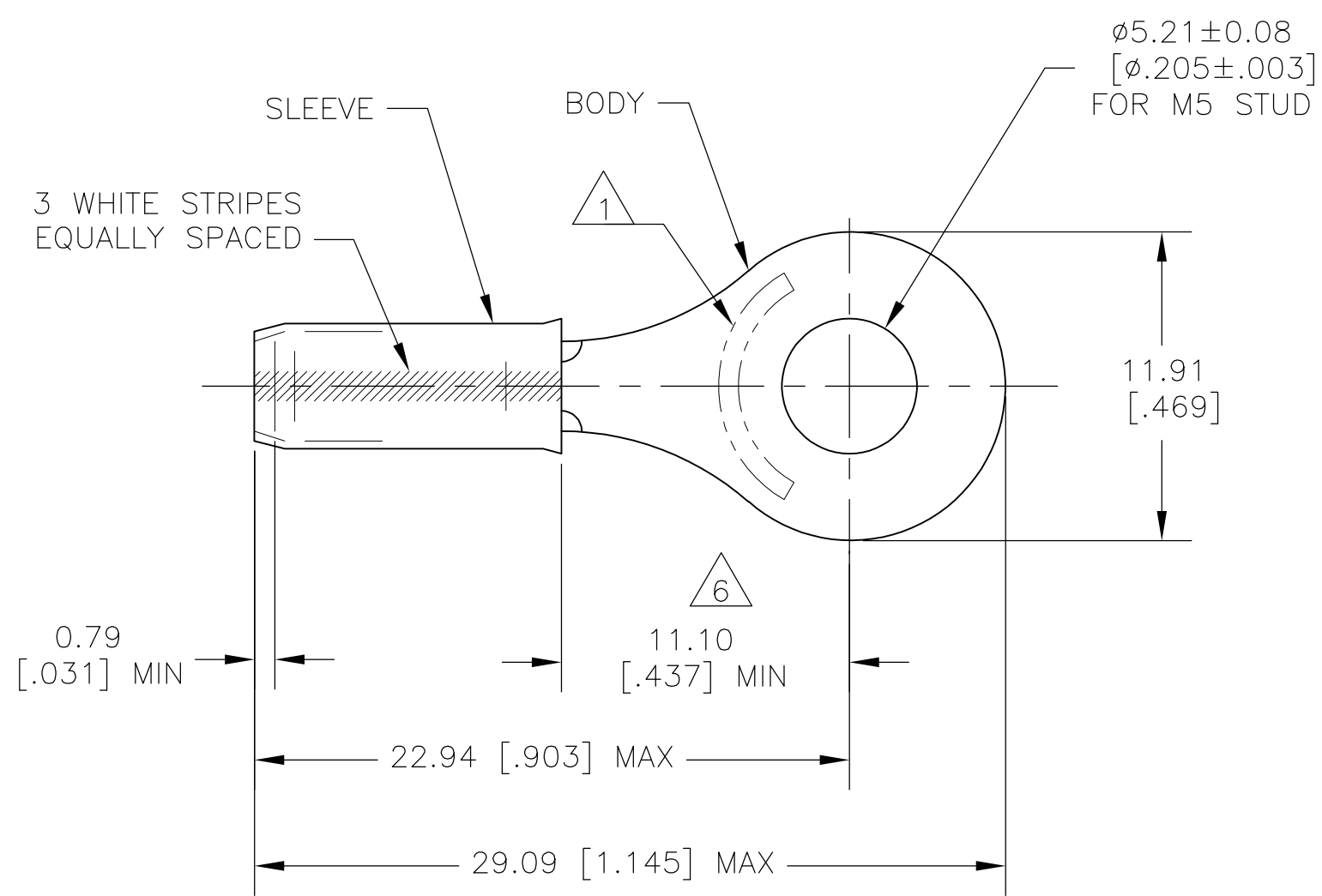


THIS DRAWING IS UNPUBLISHED. RELEASED FOR PUBLICATION
 © COPYRIGHT - By - ALL RIGHTS RESERVED.

LOC	DIST	REVISIONS			
P	LTR	DESCRIPTION	DATE	DWN	APVD
G	02	F	REVISED PER ECO-14-015277	10FEB2015	NK DR



- 1 STAMP "AMP 18*" LOCATED APPROX AS SHOWN.
- 2 MATERIAL: TERMINAL - COPPER PER ASTM B-152, ANNEALED. SLEEVE - NYLON, COLOR RED.
- 3 FINISH: TERMINAL - 0.00254 [.000100] MIN TIN PLATE PER ASTM B-545.
- 4 WIRE INSULATION DIA 1.42-2.79[.056-.110].
- 5 TONGUE MATERIAL THK: 0.79±0.05[.031±.002].
- 6 DIMENSION APPLIES FROM EDGE OF WIRE BARREL TO CENTER OF STUD HOLE.
- 7 MAX RECOMMENDED OPERATING TEMP 105°C[221°F].
- 8 VOLTAGE RATING IS 300 V MAX.
- 9 0.65-1.04mm² [1,288-2,049] CMA, STRANDED.

1000	LOOSE PIECE	134017-1
QTY	PACKAGING TYPE	PART NO

THIS DRAWING IS A CONTROLLED DOCUMENT.		DWN jr_ruth 19MAY06	TE Connectivity	
DIMENSIONS: MM [INCHES]		CHK T MICHELUTTI 19MAY06		
TOLERANCES UNLESS OTHERWISE SPECIFIED: 0 PLC ± - 1 PLC ± - 2 PLC ± - 3 PLC ± 0.20[.008] 4 PLC ± - ANGLES ± -		APVD T MICHELUTTI 19MAY06	NAME TERMINAL, RING TONGUE, I.R., PIDG, WIRE SIZE 18 AWG	
MATERIAL 2		FINISH 3	PRODUCT SPEC -	APPLICATION SPEC -
		WEIGHT -	SIZE A3	CAGE CODE 00779
		CUSTOMER DRAWING	DRAWING NO C-134017	RESTRICTED TO -
		SCALE 4:1	SHEET 1 OF 1	REV F