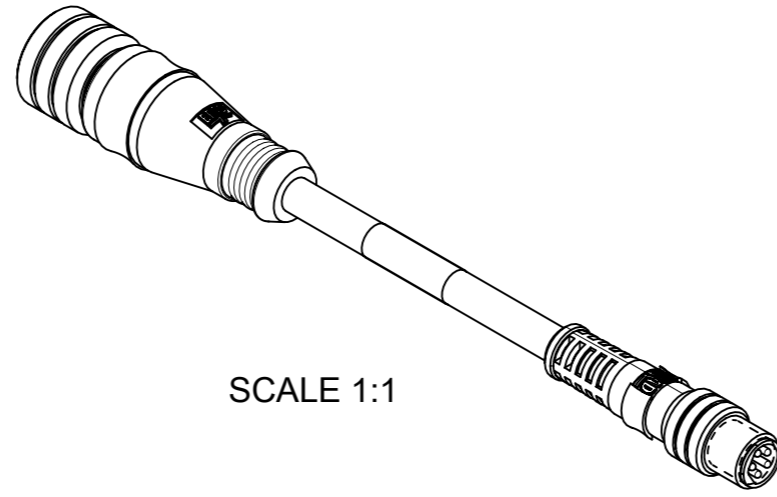


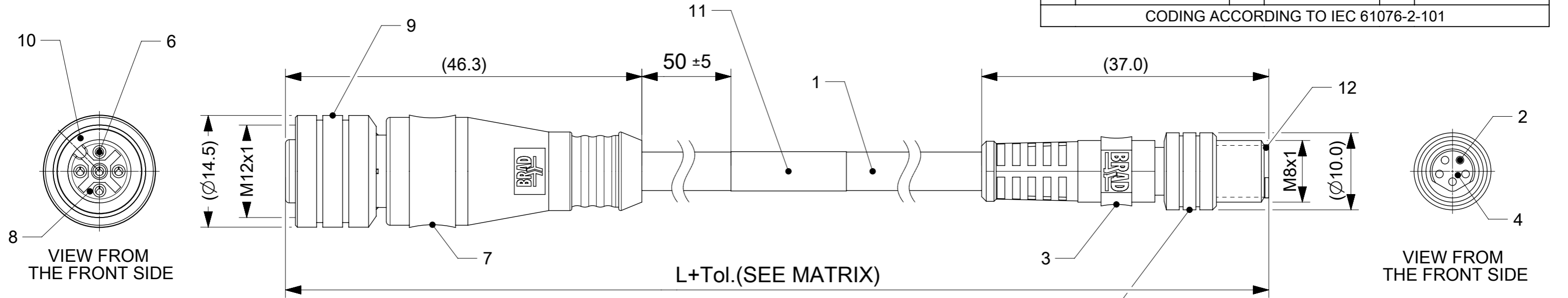
CONNECTOR SPECIFICATION :

Temperature Range	-25°C /+80°C
Contact Current Rating	3A
Voltage Rating	3 Poles 60V
	4 & 5 Poles 30V
Protection class	IP 67



CONTACTS POSITION FRONT VIEW:

	3 CONTACTS	4 CONTACTS	5 CONTACTS		
FEMALE					
MALE					
PIN	WIRE	PIN	WIRE	PIN	WIRE
1	BROWN	1	BROWN	1	BROWN
2	---	2	WHITE	2	WHITE
3	BLUE	3	BLUE	3	BLUE
4	BLACK	4	BLACK	4	BLACK
5	---	5	---	5	GREY
CODING ACCORDING TO IEC 61076-2-101					



BOM

ITEM	QTY.	DESCRIPTION	MATERIAL	FINISH/COLOR
1	-	CABLE		SEE MATRIX
2	3/4/5	CONTACT MALE M8	BRASS	GOLD OVER NICKEL
3	1	OVERMOULD M8 WITH BRAD LOGO		SEE MATRIX
4	1	INSERT M8 MALE	PUR	BLACK
5	1	M8 MALE COUPLING NUT		SEE MATRIX
6	3/4/5	CONTACT FEMALE M12	BRASS	GOLD OVER NICKEL
7	1	OVERMOULD M12 WITH BRAD LOGO		SEE MATRIX
8	1	INSERT M12 FEMALE	TPU	BLACK
9	1	M12 FEMALE COUPLING NUT		SEE MATRIX
10	1	GASKET	FPM	RED
11	1	LABEL	VINYL	YELLOW
12	1	M8 SHIELD SLEEVE	BRASS	Ni-PLATED
13	2	I/D CARRIER		SEE MATRIX

THIS DRAWING CONTAINS INFORMATION THAT IS PROPRIETARY TO MOLEX ELECTRONIC TECHNOLOGIES, LLC AND SHOULD NOT BE USED WITHOUT WRITTEN PERMISSION

DIMENSION UNITS	SCALE	CURRENT REV DESC: OBSOLETE PART NUMBERS AS PER PCN#506884	<b>molex</b>				
mm	2:1						
GENERAL TOLERANCES (UNLESS SPECIFIED)			CSE M12 M8 XP AC FE STR MA STR XM				
ANGULAR TOL	± 1.0 °	EC NO: 662770	PRODUCT CUSTOMER DRAWING				
4 PLACES	±	DRWN: SUGEEB	2021/02/24				
3 PLACES	±	CHK'D: GGA	2021/06/02				
2 PLACES	± 0.05	APPR: GGA	2021/06/02				
1 PLACE	± 0.3	INITIAL REVISION:		DOCUMENT NUMBER			
0 PLACES	± 0.5	DRWN: SSM	2018/07/10	1200668041	DOC TYPE DOC PART REVISION		
DRAFT WHERE APPLICABLE MUST REMAIN WITHIN DIMENSIONS		THIRD ANGLE PROJECTION	DRAWING	SERIES	MATERIAL NUMBER	CUSTOMER	SHEET NUMBER
			A3-SIZE	120066	SEE SHEET 2	GENERAL MARKET	1 OF 2

DOCUMENT STATUS	P1	RELEASE DATE	2021/06/02	05:44:45
-----------------	----	--------------	------------	----------

# PART No MATRIX

8 4 \* 0 3 0 \* \* \* M \* \* \* \* \*

**Poles:**  
 3 = 3 poles  
 4 = 4 poles  
 5 = 5 poles

**Cable Type**

**Unit:**  
 M = Meter

**H = 2 I/D Carrier Molding:**  
 Blank = Black  
 A = Grey  
 G = Black  
 Y = Yellow

**Coupling Nut:**  
 Blank = KNU  
 7 = Teflon  
 1 = Stainless steel  
 9 = KNU/HEX

84 - Double Ended  
 M12-M8

Header 030:  
 /M12 Female straight  
 -M8 Male straight

**Length-Example:**  
 010 = 1 m  
 050 = 5 m  
 100 = 10 m

## CABLE INFORMATION (for more information see Cable Data Sheet).

CABLE TYPE	NO. OF WIRES	CROSS SECTION	CABLE JACKET	UL	CSA	STATIC: TEMP. / BENDING RADIUS	DYNAMIC: TEMP. / BENDING RADIUS	DRAG CHAIN	SHIELD
P02	3 / 4 / 5	0.25mm <sup>2</sup>	PUR/PVC BLACK	-	-	-30°C to +80°C 7xO.D.	-5°C to +80°C 15xO.D.	-	-
E02	3 / 4 / 5	0.25mm <sup>2</sup>	PVC BLACK	UL 2464/1729	C22.2 I/II A/B 80°C/300V	-30°C to +80°C 10xO.D.	-10°C to +80°C 15xO.D.	-	-
H08	3 / 4 / 5	0.25mm <sup>2</sup>	PUR BLACK	UL 10493/21198	C22.2 I/II A/B 80°C/300V	-40°C to +80°C 5xO.D.	-25°C to +80°C 10xO.D.	+5°C to +60°C 2Mio cycles	-

## PART LIST

No	MOLEX P/N	Engineering No	Cable Length [m]	No	MOLEX P/N	Engineering No	Cable Length [m]
1	1200071587	845030P02M030	3	1	1200668412	843030E02M003	0.3
2	1200072287	845030P02M050	5	2	1200668413	843030E02M006	0.6
3	1200668041	845030P02M060	6	3	1200668414	843030E02M010	1
4	1200668202	845030P02M110	11	4	1200668415	843030E02M020	2
5	1200668292	844030P02M010	1	5	1200668416	843030E02M030	3
6	1200668425	843030P02M002	0.2	6	1200668417	843030E02M040	4
7	1200668426	843030P02M005	0.5	7	1200668418	843030E02M050	5
8	1200668427	843030P02M006	0.6	8	1200668419	843030E02M060	6
9	1200668428	843030P02M010	1	9	1200668420	843030E02M130	13
10	1200668429	843030P02M020	2	10	1200668709	843030E02M010H	1
11	1200668430	843030P02M025	2.5	11	1200668901	843030E02M025	2.5
12	1200668431	843030P02M030	3	12	1200668984	843030E02M025H	2.5
13	1200668432	843030P02M050	5	13	1200669105	843030E02M0109H	1
14	1200668433	843030P02M100	10	14	1200669179	843030E02M0509H	5
15	1200668472	844030P02M006	0.6	15	1200669180	843030E02M1009H	10
16	1200668473	844030P02M050	5	16	1200669519	843030E02M015	1.5
				17	1200669749	843030H08M045H	4.5
				18	1200669750	843030H08M075H	7.5

Over	Up to and including	Tolerance
0	305	+19
305	915	+45
915	1830	+56
1830	3660	+89
3660	7320	+165
7320	14640	+317
14640	30500	+610
30500	>	+2% of length

THIS DRAWING CONTAINS INFORMATION THAT IS PROPRIETARY TO MOLEX ELECTRONIC TECHNOLOGIES, LLC AND SHOULD NOT BE USED WITHOUT WRITTEN PERMISSION

DIMENSION UNITS	SCALE	CURRENT REV DESC: OBSOLETE PART NUMBERS AS PER PCN#506884	<b>molex</b>		
mm	1:1				
GENERAL TOLERANCES (UNLESS SPECIFIED)			CSE M12 M8 XP AC FE STR MA STR XM		
ANGULAR TOL	± 1.0°	EC NO: 662770	PRODUCT CUSTOMER DRAWING		
4 PLACES	±	DRWN: SUGEEB	2021/02/24		
3 PLACES	±	CHK'D: GGA	2021/06/02		
2 PLACES	± 0.05	APPR: GGA	2021/06/02		
1 PLACE	± 0.3	INITIAL REVISION:		DOCUMENT NUMBER	DOC TYPE
0 PLACES	± 0.5	DRWN: SSM	2018/07/10	1200668041	PSD
DRAFT WHERE APPLICABLE MUST REMAIN WITHIN DIMENSIONS		APPR: RSILLER	2018/07/12	000	A4
THIRD ANGLE PROJECTION		DRAWING	SERIES	MATERIAL NUMBER	CUSTOMER
		A3-SIZE	120066	SEE PART LIST	GENERAL MARKET
		SHEET NUMBER		2 OF 2	