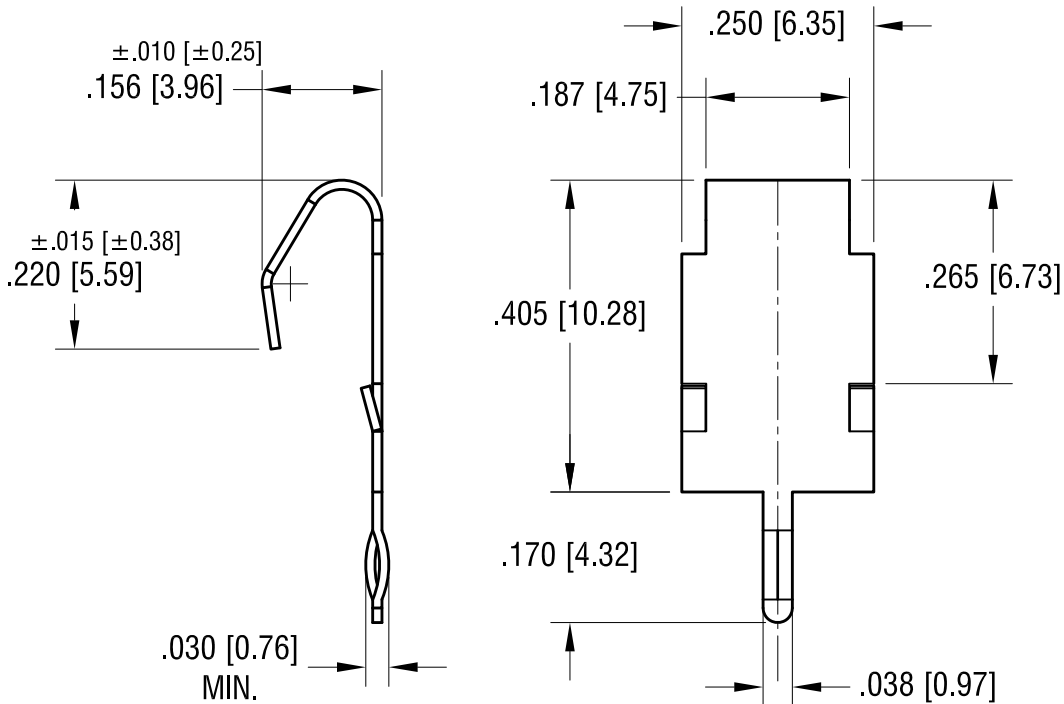


THIS DOCUMENT IS THE PROPERTY OF  
KEYSTONE ELECTRONICS CORP. AND  
SHALL NOT BE REPRODUCED, DISTRIBUTED  
OR USED AS A BASIS FOR MANUFACTURE  
WITHOUT PRIOR WRITTEN PERMISSION  
FROM KEYSTONE ELECTRONICS CORP.

ACTUAL SIZE



NOTE:

1. MOUNTING HOLE  $.047$  [ $1.19$ ] DIA.

9.23.15	CHANGE AS PER ECN 15-108	B
10.10.13	CHANGE AS PER ECN 13-097	A
DATE	DESCRIPTION	REV.

<b>KEYSTONE ELECTRONICS CORP.</b>			
www.keyelco.com • NEW HYDE PARK, NY 11040 • Tel (516) 328-7500			
PART NAME		THM BATTERY CONTACT	
MATERIAL		.012 [0.30] TH'K STAINLESS STEEL	
FINISH		DRN BY	DATE
TIN NICKEL PLATE		NT	1.06.11
		APP'D	SCALE
TOLERANCES INCH [MM]		RH	4X
		DECIMAL $\pm .005$ [ $\pm 0.13$ ]	
ANGULAR $\pm 1^\circ$		CODE	DWG NO.
UNLESS OTHERWISE SPECIFIED		C	1021-1