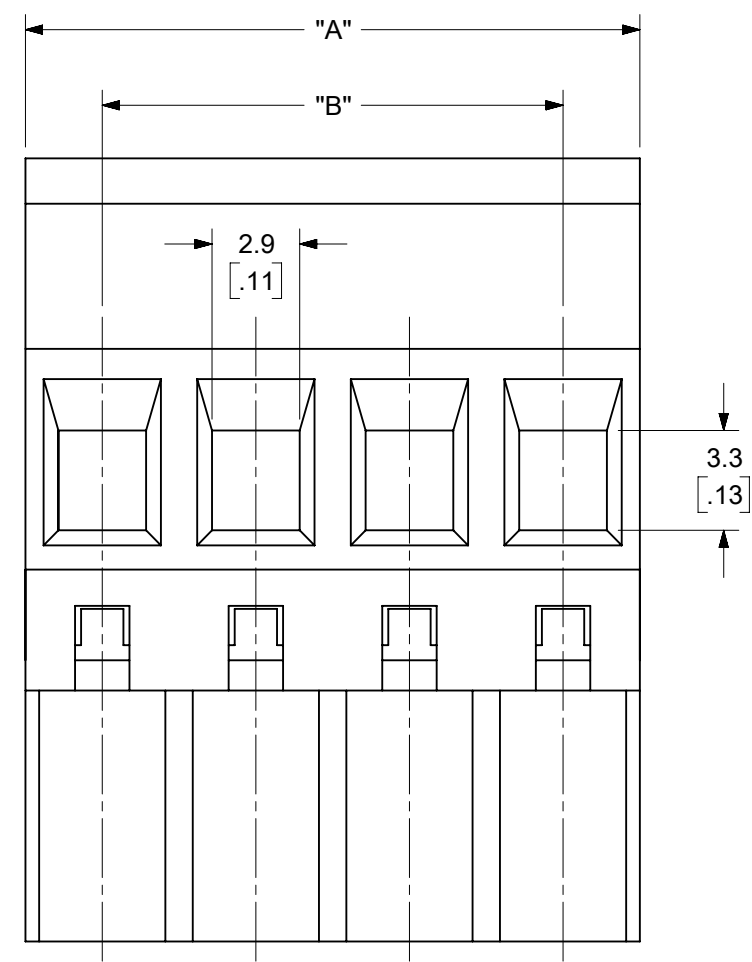
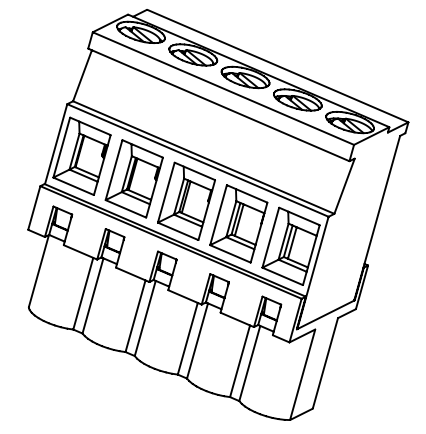
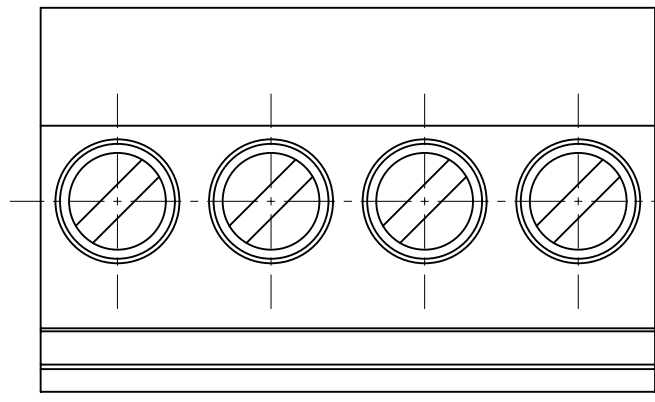
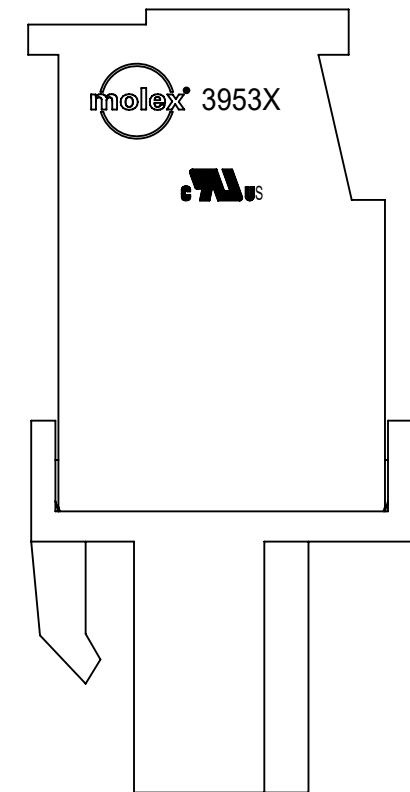
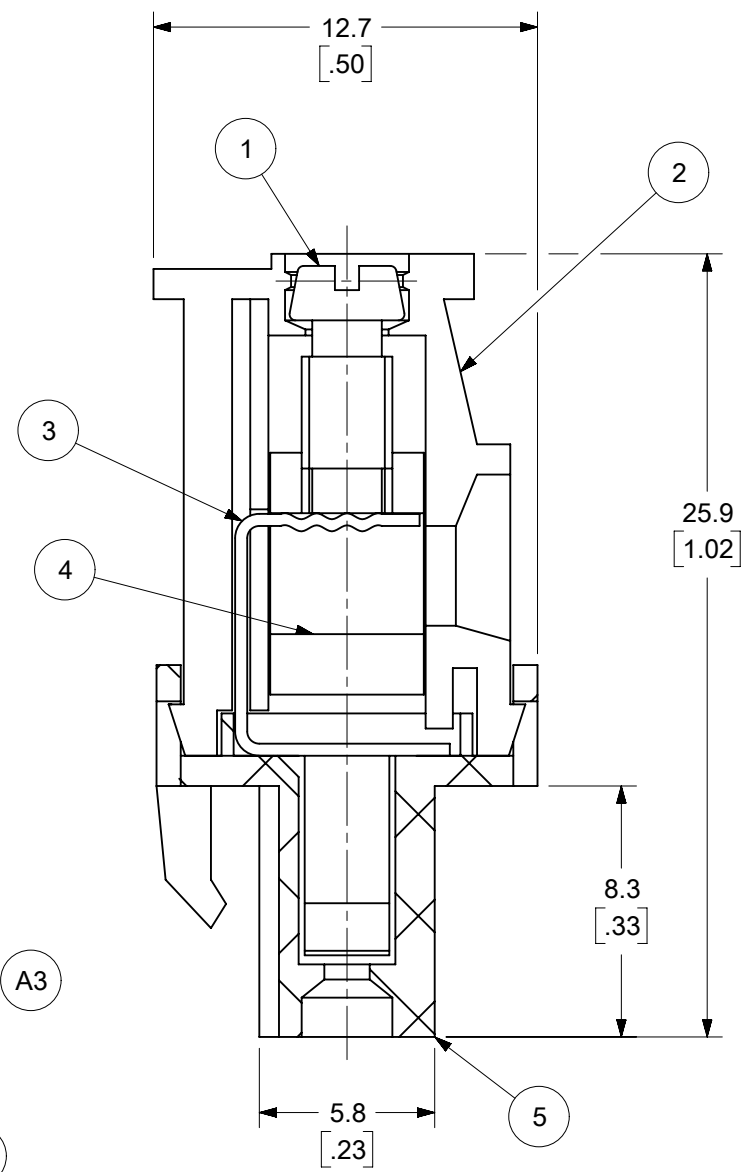


PCB LAYOUT A3



- SPECIFICATIONS:**
- MATERIAL:**
 - M3 CLAMP SCREW: ZINC PLATED STEEL
 - COVER: PA66, UL94-V0
 - TERMINAL: TIN PLATED COPPER ALLOY A3
 - CAGE: NICKEL PLATED BRASS
 - BODY: PA66, UL94-V0
 - WIRE RANGE: 12 - 30 AWG A3
 - ELECTRICAL RATING: 300V, 18A PER UL A3
 - WIRE STRIP LENGTH: 5.0mm.
 - OPERATING TEMPERATURE: -40°C to +105°C.
 - MAX TORQUE: 5 IN LBS.
 - INSULATION RESISTANCE: DC 500V, 500MΩ.
 - DIELECTRIC WITHSTAND: AC 2500V FOR 1 MINUTE.
 - BREAKDOWN VOLTAGE: 4000V.
 - CONTACT RESISTANCE: <10 mΩ.

TOLERANCES			
MM	TOL	INCH	TOL
0-6	±0.25	0-.24	±.010
>6-30	±0.40	>.24-1.18	±.016
>30-120	±0.50	>1.18-4.76	±.020
>120	±0.80	>4.76	±.031

THIS DRAWING CONTAINS INFORMATION THAT IS PROPRIETARY TO MOLEX ELECTRONIC TECHNOLOGIES, LLC AND SHOULD NOT BE USED WITHOUT WRITTEN PERMISSION											
FUNCTIONAL SYMBOLS	DIMENSION UNITS	SCALE	CURRENT REV DESC: MIGRATED TO ECTR/NX. FRONT ENTRY CHANGED TO REAR WIRE ENTRY IN PN CHART. ADDED PCB LAYOUT. MODIFIED NOTES. REMOVED CSA LOGO								
$\nabla_A = 0$	MM/INCH	4:1	<p>molex</p> <p>5.08MM, EURO PLUG, VERTICAL, REAR WIRE ENTRY</p> <p>PRODUCT CUSTOMER DRAWING</p> <p>DOCUMENT NUMBER: SD-39533-002 DOC TYPE: PSD DOC PART: 001 REVISION: A3</p> <p>MATERIAL NUMBER: SEE SHEET-2 CUSTOMER: GENERAL MARKET SHEET NUMBER: 1 OF 2</p>								
$\nabla_E = 0$	GENERAL TOLERANCES (UNLESS SPECIFIED)										
$\nabla_F = 0$	MM	INCH									
DIVISIONAL SYMBOLS	4 PLACES	± --- ± ---									
	3 PLACES	± --- ± SEE CHART									
	2 PLACES	± SEE CHART ± SEE CHART	EC NO: 719296	2022/05/05							
	1 PLACE	± SEE CHART ± ---	DRWN: ABENJAMINLW	2022/08/26							
	0 PLACES	± --- ± ---	CHK'D: DACHAMMER	2022/09/23							
	ANGULAR TOL	± ---	APPR: JFMURPHY	2022/09/23							
	DRAFT WHERE APPLICABLE MUST REMAIN WITHIN DIMENSIONS		INITIAL REVISION:								
	THIRD ANGLE PROJECTION	DRAWING	DRWN: LROTHAUS	2006/01/09							
		SERIES	APPR: JPAWLICK	2006/01/10							

