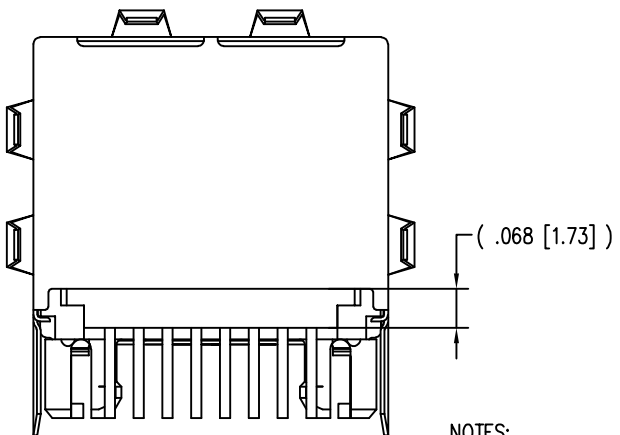
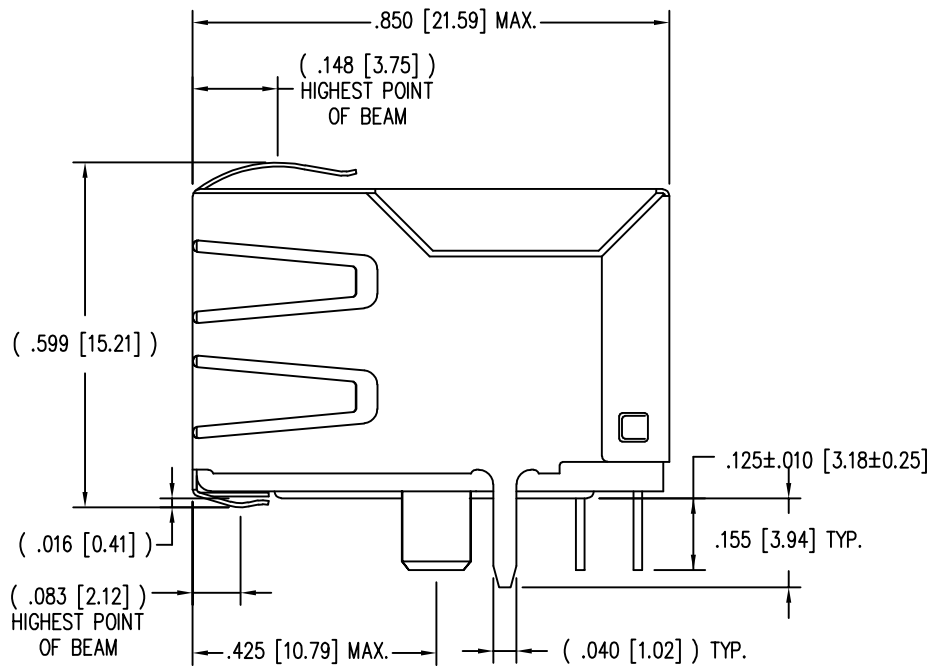
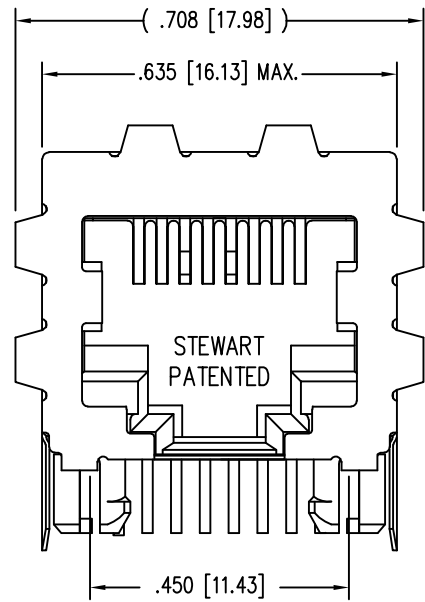
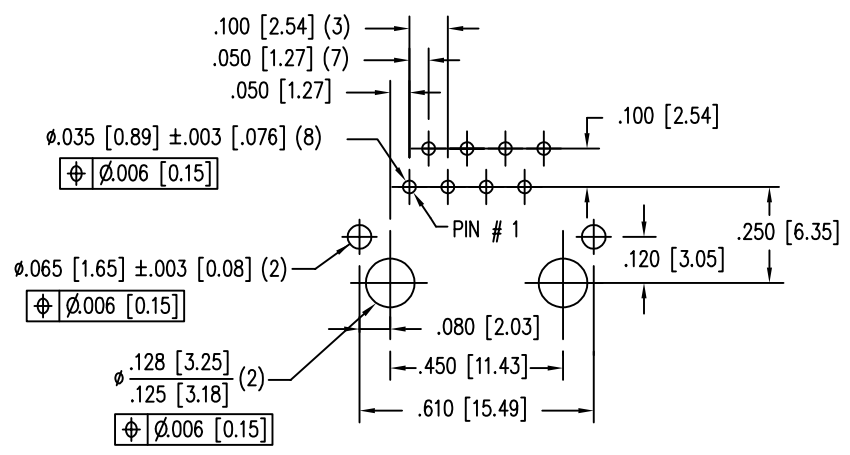
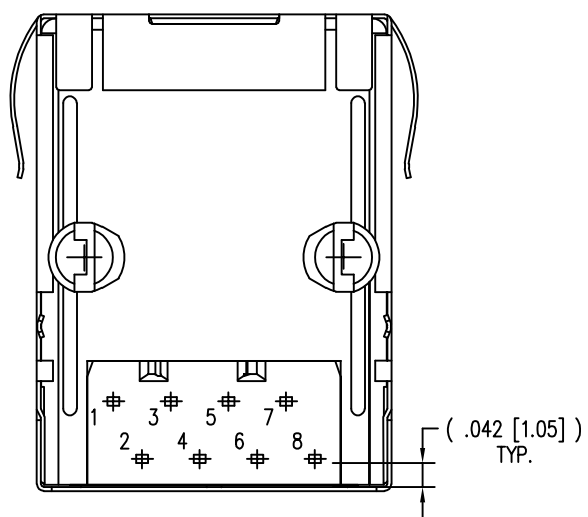


DATE	REV	ECN	APP'D. BY
7-13-16	A7	10717	TRM
11-16-17	A8	11153	TRM

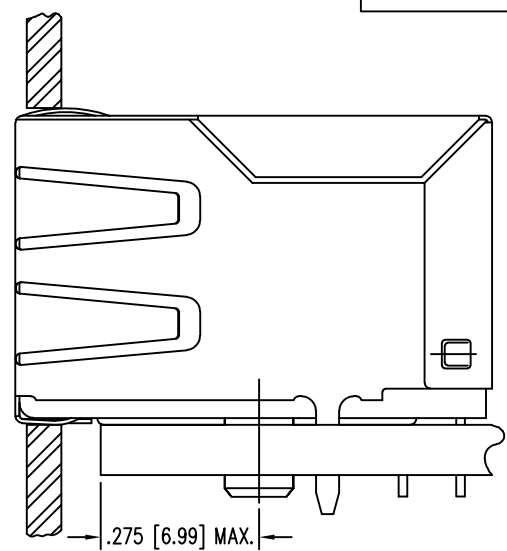
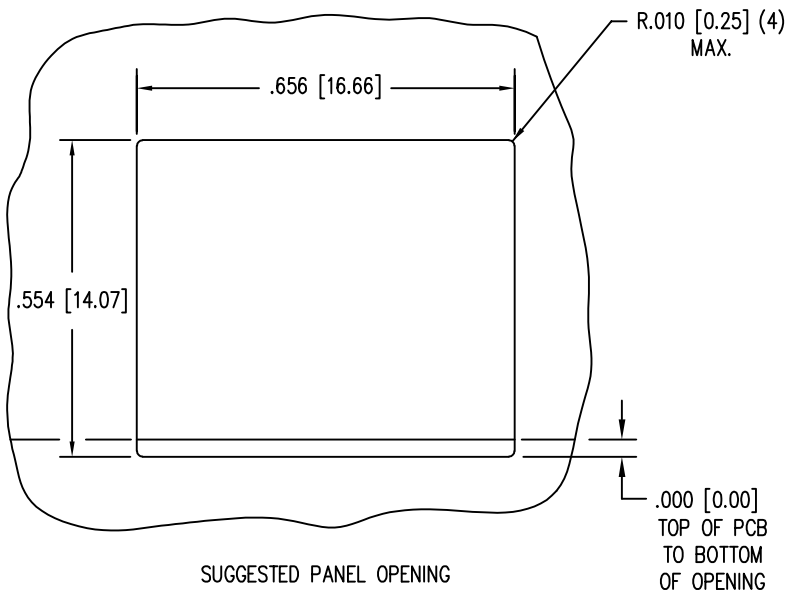


- NOTES:
- CONNECTOR MATERIALS:  
HOUSING: THERMOPLASTIC UL94 V-0  
CONTACTS/SHIELD: COPPER ALLOY  
SHIELD PLATING: NICKEL  
SHIELD TAILS ARE "TIN DIPPED"  
CONTACT PLATING: SELECTIVE GOLD IN CONTACT AREA  
SEE CHART FOR PART NUMBER
  - DESIGNED FOR CATEGORY 5/5e APPLICATIONS.
  - DIMENSIONS AND TOLERANCES COMPLY WITH TIA-1096 STANDARD.
  - THE SUGGESTED PANEL OPENING IS INTENDED TO GIVE USER THE ABILITY TO HAVE REASONABLE JACK/PANEL CLEARANCES, YET MAINTAIN GROUNDING CAPABILITY. THESE VARIABLES CAN BE ADJUSTED IN EITHER DIRECTION BUT MAY CARRY SOME CONSEQUENCES IN THE FORM OF LOWER MATING FORCES OR TIGHTER ASSEMBLY TOLERANCES.
  - DIELECTRIC WITHSTANDING VOLTAGE ( CONTACT TO SHIELD ) : 2250VDC
  - IR REFLOW COMPATIBLE FOR 260°C
  - FOR PRODUCT SPECIFICATION SEE PR022-01

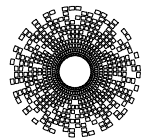


P.C.B. RECOMMENDED HOLE LAYOUT  
SEEN FROM COMPONENT SIDE  
ALL CENTERLINE DIMENSIONS ARE BASIC.

50 MICRO-INCHES [1.27um]	SS71800-123F	PACKAGED ON TAPE & REEL
50 MICRO-INCHES [1.27um]	SS71800-019F	
30 MICRO-INCHES [0.76um]	SS71800-018F	
CONTACT PLATING IN MATING AREA	PART NUMBER	

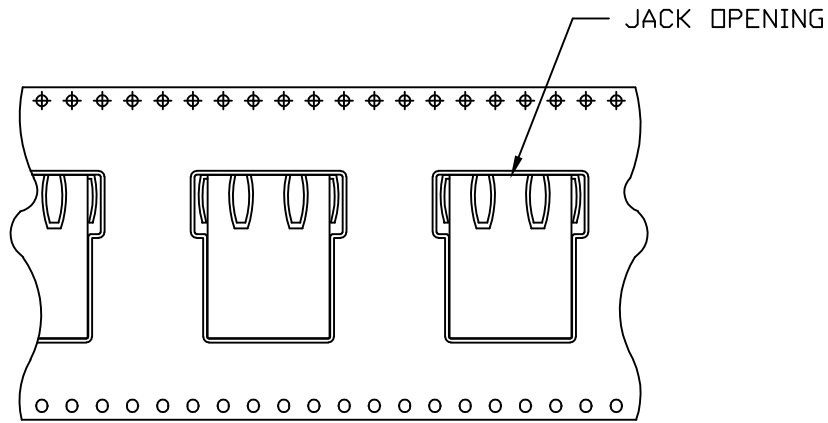


THIRD ANGLE PROJECTION
DO NOT SCALE DRAWING DRAWING IS SUBJECT TO CHANGE WITHOUT NOTICE
DIMENSIONS: INCHES [METRIC]
UNLESS OTHERWISE SPECIFIED TOLERANCES ARE ±.005 [0.13] ANGLES ARE ± 1°
SHEET NO. 1 OF 2

 <b>stewart</b> CONNECTOR a bel group	1118 Susquehanna Trail South Glen Rock, PA 17327-9199 (717) 235-7512 <a href="http://www.stewartconnector.com">http://www.stewartconnector.com</a>	
	<b>TITLE:</b> 8 CONTACT, 8 POSITION, SHIELDED CAT 5/5e JACK EMI-RFI ONE PIECE SHIELDED, ESD GROUNDED	
DRN BY: TRM	DATE: 12-16-04	
APPD BY: RGC	DATE: 12-16-04	
DWG NO. CT710024F	REV. A8	

B

B



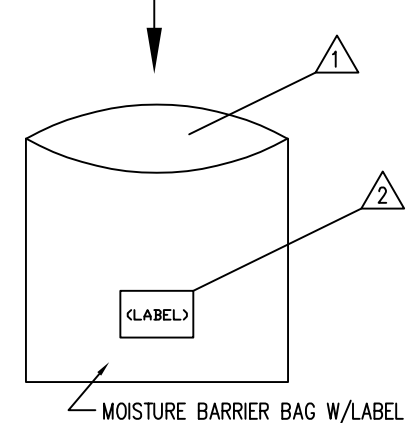
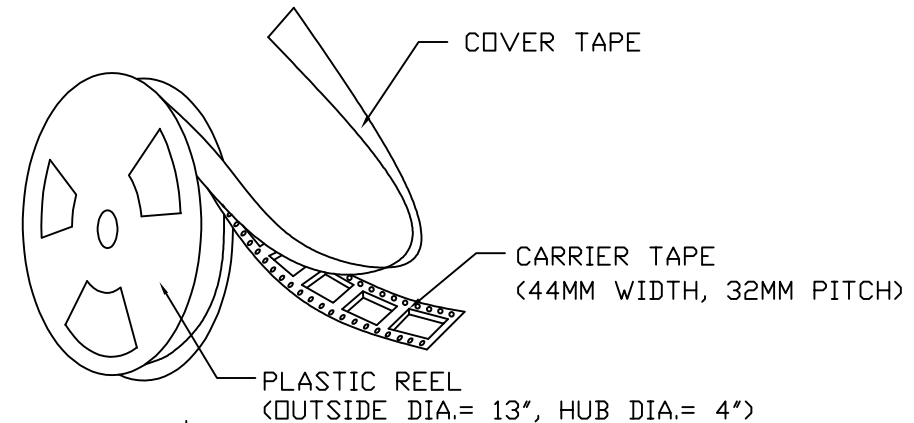
USER FEED DIRECTION

ORIENTATION OF COMPONENT INSIDE POCKET

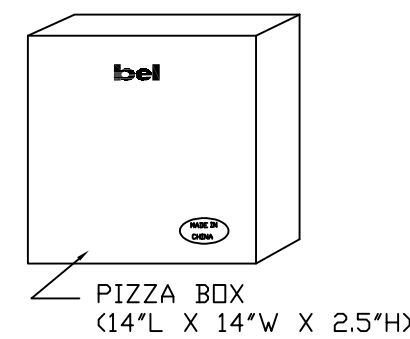
TAPE WIDTH	44MM
POCKET PITCH	32MM
QUANTITY OF COMPONENTS PER REEL	93
PLASTIC REEL OUTER DIAMETER	13 INCHES
PLASTIC REEL HUB DIAMETER	4 INCHES
COMPLY WITH EIA 481-2-A	

A

A

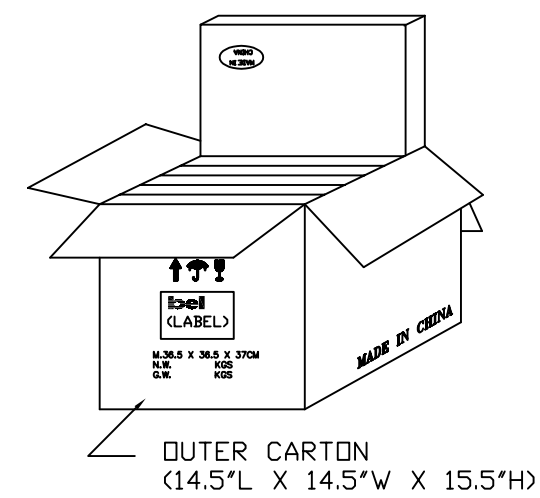


- NOTES:
- 1. EACH REEL IS PACKED IN A HEAT SEALED MOISTURE BARRIER BAG ALONG WITH DESICCANT AND MOISTURE INDICATOR CARD.
  - 2. ALL LABELS TO INCLUDE:
    - P/N
    - QTY
    - REV
    - MSL 3
    - MANUFACTURING DATE



PIZZA BOX  
(14"L X 14"W X 2.5"H)

93 PCS PER REEL; 6 REELS PER BOX



OUTER CARTON  
(14.5"L X 14.5"W X 15.5"H)



THIRD ANGLE PROJECTION 	 stewart CONNECTOR a bel group	1118 Susquehanna Trail South Glen Rock, PA 17327-9199 (717) 235-7512 <a href="http://www.stewartconnector.com">http://www.stewartconnector.com</a>
DO NOT SCALE DRAWING DRAWING IS SUBJECT TO CHANGE WITHOUT NOTICE	TITLE: 8 CONTACT, 8 POSITION, SHIELDED CAT 5/5e JACK EMI-RFI ONE PIECE SHIELDED, ESD GROUNDED	
DIMENSIONS: INCHES [METRIC]	THIS DRAWING AND THE SUBJECT MATTER SHOWN THEREON ARE CONFIDENTIAL AND THE PROPRIETARY PROPERTY OF STEWART CONNECTOR AND SHALL NOT BE REPRODUCED, COPIED, OR USED IN ANY MANNER WITHOUT PRIOR WRITTEN CONSENT OF STEWART CONNECTOR. ONE OR MORE U.S. PATENTS MAY APPLY TO THIS PRODUCT. FOR DETAILS, PLEASE VISIT: <a href="http://BELFUSE.COM/STEWART/STEWART_PATENTS/">HTTP://BELFUSE.COM/STEWART/STEWART_PATENTS/</a>	DRN BY: TRM      DATE: 12-16-04
UNLESS OTHERWISE SPECIFIED TOLERANCES ARE ±.005 [0.13] ANGLES ARE ± 1°		APPD BY: RGC      DATE: 12-16-04
SHEET NO. 2 OF 2	DWG NO. CT710024F	REV. A8