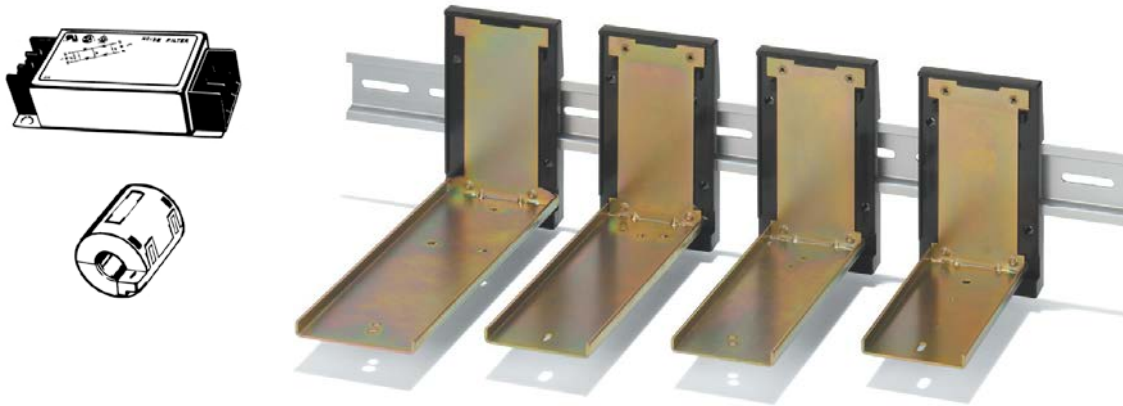


NO: SD-103 **PRODUCT: S82Y Power Supply Accessories**
DATE: January 2017 **TYPE: Discontinuation Notice**

S82Y Accessories for Discontinued S82□ Series Power Supplies will be Discontinued



Discontinuation date: February 28, 2017

The last of the S82□ series power supplies was discontinued in 2011. Omron supported these products with accessories for the full commitment of 7 years. The S82Y accessories will be discontinued without replacement.

Affected Parts


Description	Discontinued Product	Replacement
Cover	S82Y-J05K	No recommended replacement
	S82Y-J10K	
	S82Y-J100K	
Noise filter	S82Y-JF3-N	
	S82Y-JF6-N	
Ferrite ring core	S82Y-JC-T	
Terminal cover	S82Y-JTC2	
Replacement fan	S82Y-JFAN	
	S82Y-DFAN	
Front-mounting bracket	S82Y-J10F	
Finger protection cover	S82Y-J008	
Expansion terminal	S82Y-D60T	
Parallel operation bar	S82Y-D30A	
DIN rail one-touch base	S82Y-01N	
	S82Y-03N	
	S82Y-05N	
	S82Y-10N	


See the detail of differences on the following pages.

Detail of Differences

Dimensions

Product discontinuation Model S82Y-J□□K	
S82Y-J05K:	This is the cover for the Model S82J-50W.
S82Y-J10K:	This is the cover for the Model S82J-10024□.
S82Y-J100K:	This is the cover for the Model S82J-100W (5V/12V/15V)/150W.
There is no image.	
Note) Model S82J of power supply has discontinued production in March 2011.	

Product discontinuation Model S82Y-JF□-N	
S82Y-JF3-N:	This is the noise filter for the Model S82J-300W.
S82Y-JF6-N:	This is the noise filter for the Model S82J-600W.
	
Note) Model S82J of power supply has discontinued production in March 2011.	

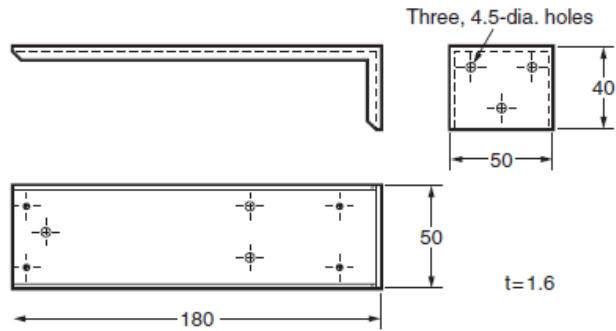
Product discontinuation Model S82Y-JC-T	
This is the ferrite ring core for the Model S82J-300W/600W.	
	
Note) Model S82J of power supply has discontinued production in March 2011.	

Product discontinuation Model S82Y-JTC2	
This is the terminal cover for the Model 82J-100W (5V/12V/15V)/150W.	
There is no image.	
Note) Model S82J of power supply has discontinued production in March 2011.	

Product discontinuation Model S82Y-□FAN	
S82Y-JFAN :	This is the replacement fan for the Model S82J-600W.
S82Y-DFAN :	This is the replacement fan for the Model S82D.
There is no image.	
Note) Model S82J of power supply has discontinued production in March 2011.	
Note) Model S82D of power supply has discontinued production in March 2007.	

**Product discontinuation
Model S82Y-J10F**

This is the front-mounting bracket for the Model S82J-10024□, S82W-102/103.



Note) Model S82J of power supply has discontinued production in March 2011.

Note) Model S82W of power supply has discontinued production in April 2011.

**Product discontinuation
Model S82Y-J008**

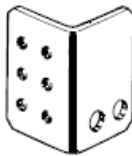
This is the finger protection cover for the Model S82J-15024D.

There is no image.

Note) Model S82J of power supply has discontinued production in March 2011.

**Product discontinuation
Model S82Y-D60T**

This is the expansion terminal for the Model S82D-600W.



Note) Model S82D of power supply has discontinued production in March 2007.

**Product discontinuation
Model S82Y-D30A**

This is the parallel operation bar for the Model S82D-300W.

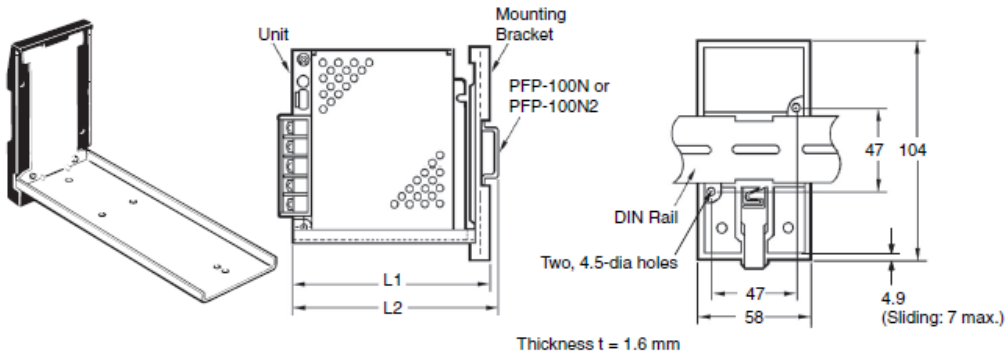
There is no image.

Note) Model S82D of power supply has discontinued production in March 2007.

**Product discontinuation
Model S82Y-□□N**

S82Y-01N: This is the DIN rail one-touch base for the Model S82J-10W.
 S82Y-03N: This is the DIN rail one-touch base for the Model S82J-25W.
 S82Y-05N: This is the DIN rail one-touch base for the Model S82J-50W, S82R.
 S82Y-10N: This is the DIN rail one-touch base for the Model S82J-100W (5V/12V/15V)/150W.

Note: All units are in millimeters unless otherwise indicated.



Size

Model	L1	L2 (see note)
S82Y-01N	113	114.8
S82Y-03N	143	144.8
S82Y-05N	163	164.8
S82Y-10N	185	186.8

Note: The figures in this column are applied if the PFP-100N DIN Rail used. Add 10.5 mm to each figure in the L1 column if the PFP-100N2 is used.

Note) Model S82J of power supply has discontinued production in March 2011.

Note) Model S82R of power supply has discontinued production in April 2007.

Specifications and prices in this product news are as of the issue date and are subject to change without notice. Only main changes in specifications are described in this document. Please be sure to read the relevant catalogs, datasheets, product specifications, instructions, and manuals for precautions and necessary information when using products.