

Type LPX-04B-I

In-Line Indicating Fuse Holder

Maxi Auto Blade Fuses

Waterproof



www.optifuse.com

(619) 593-5050

Ratings:

- Fuse Type:** Maxi Auto Blade – APX
- Electrical Rating:** 20A-60A 24VDC
- IP Rating:** IP66
- Body:** PVC
- Contacts:** Tin plated Brass
- With LED** warning light when fuse is opened.
- Standard Wire Gauges:** #6 AWG
- Standard Wire Colors:** Red
- Standard Body colors:** Black
- Standard Wire Length:** 5 inches

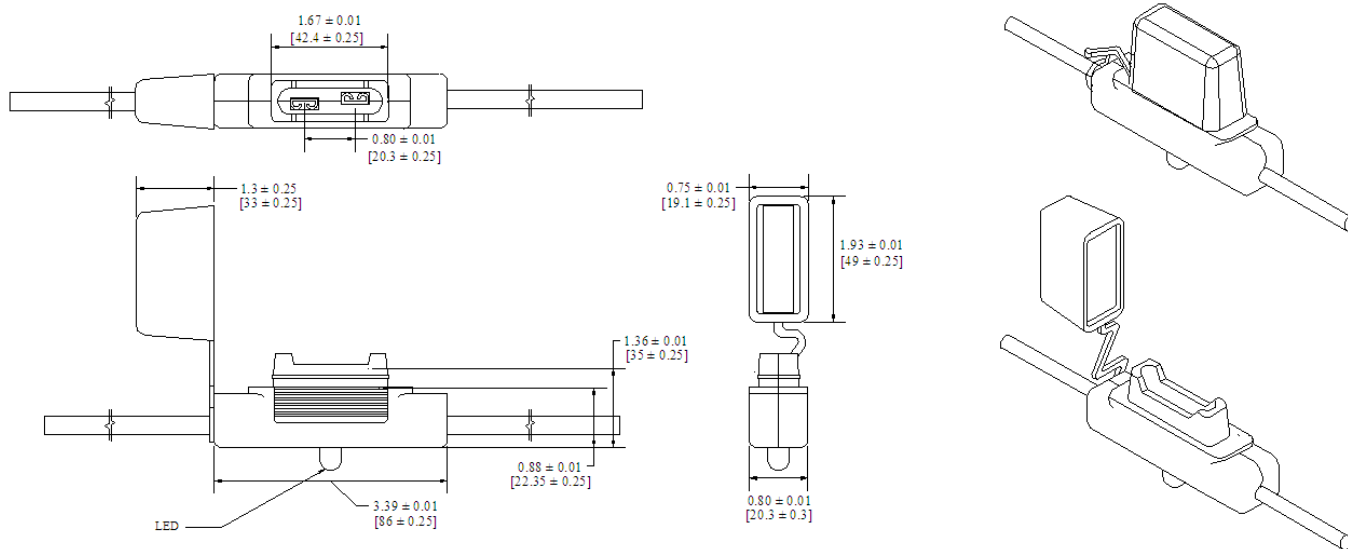
Part number format

LPX-04B-I-##R

where ## = Wire gauge

Available in various wire gauges and lengths, and wire colors.
Contact factory for those not listed above.

Mechanical Dimensions: Inches [mm]



Warning:



- Operation beyond the specified maximum ratings or improper use may result in damage and possible electrical arcing and/or flame.
- Avoid contact of device with chemical solvent. Prolonged contact may damage the device performance.
- Not designed for prolonged liquid exposure or submersible applications.