

CGB4B3JB1C225K055AB

TDK Item Description : CGB4B3JB1C225KT****

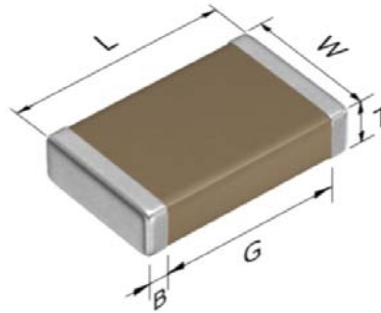


Application & Main Feature

Commercial Grade (Low Profile)

Series

CGB4(2012) [EIA CC0805]



Dimensions

L 2.00mm +/-0.2mm
 W 1.25mm +/-0.2mm
 T 0.50mm +/-0.05mm
 B 0.20mm Min.
 G 0.50mm Min.

Temperature Characteristic

JB (-25 to 85 degC +/-10%)

Rated Voltage

1C (16Vdc)

Capacitance

2.2uF

Capacitance Tolerance

K (+/-10%)

Dissipation Factor

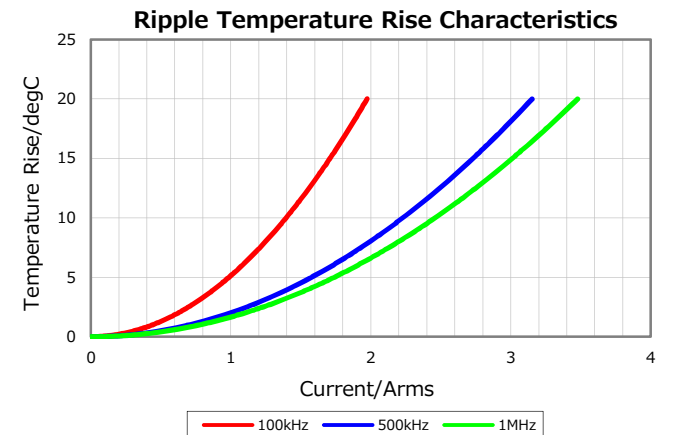
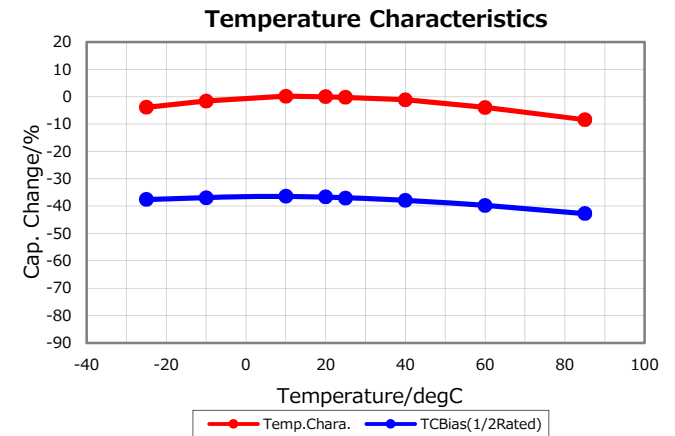
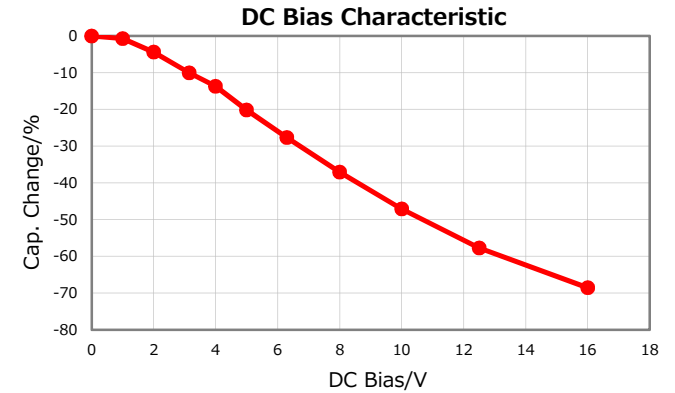
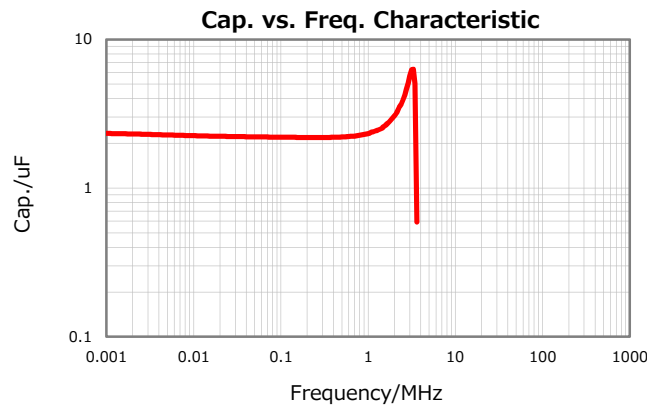
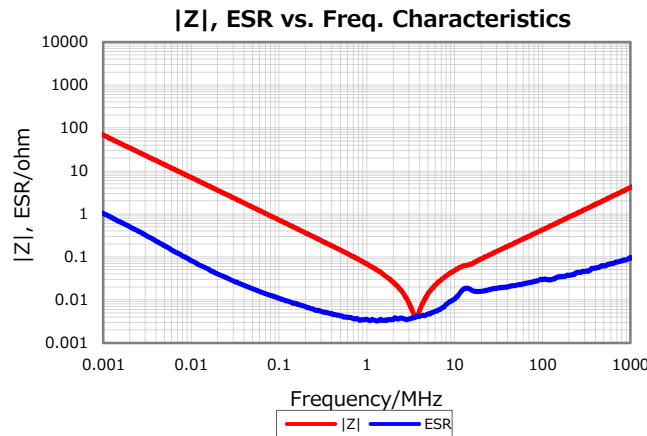
10% Max.

Insulation Resistance

45Mohm Min.

AEC-Q200

Not Applicable



Characterization Sheet (Multilayer Ceramic Chip Capacitors)



All specifications are subject to change without notice.

November 27, 2018