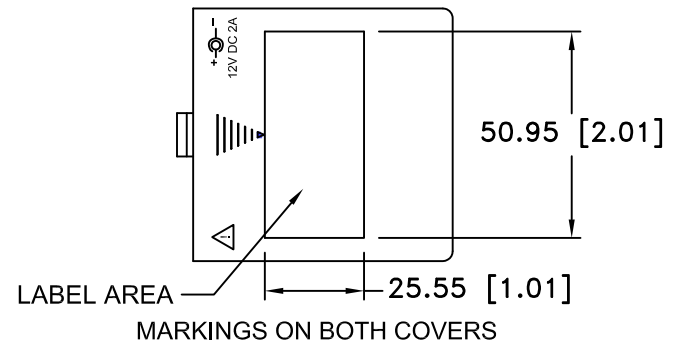
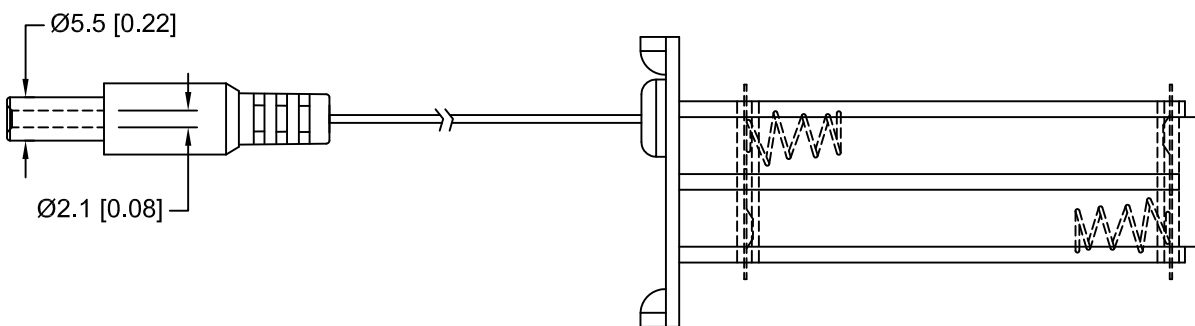
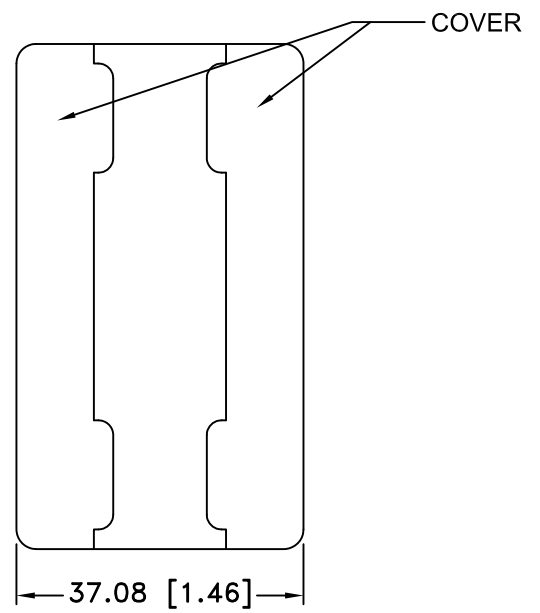
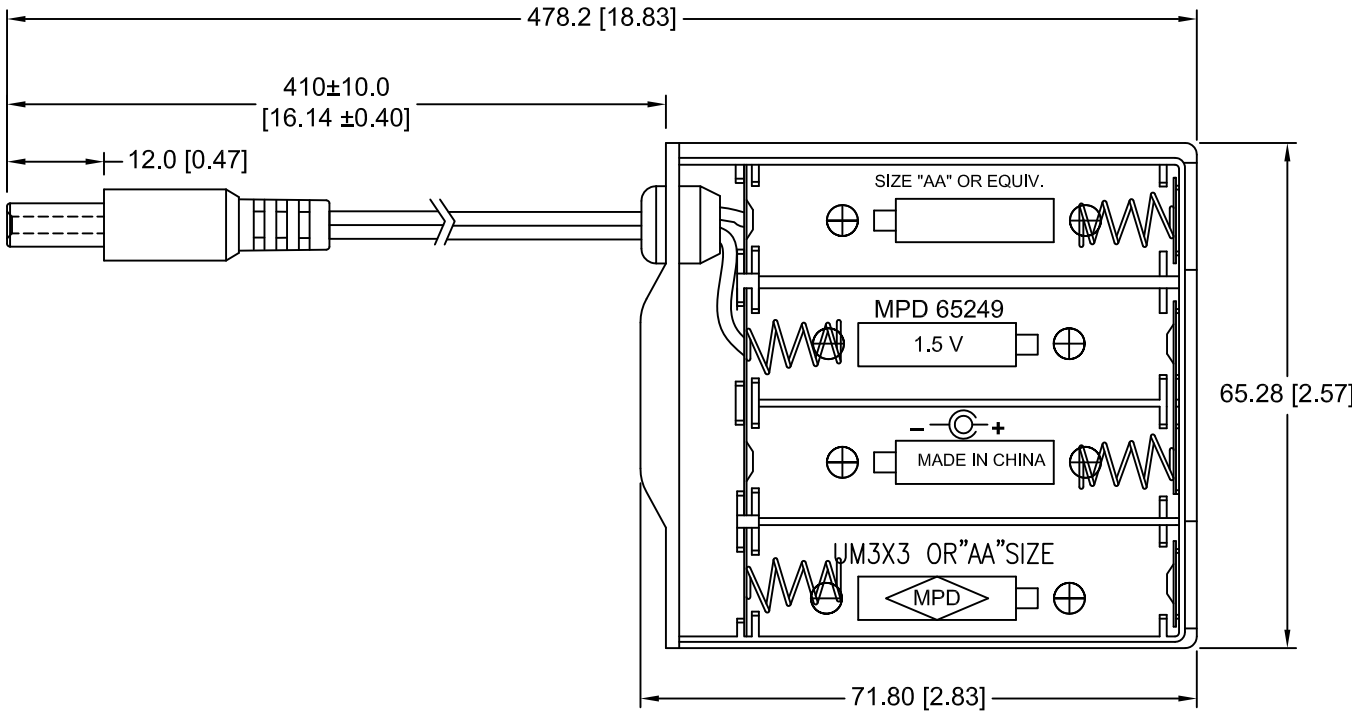



Date	SYM	REVISION RECORD	AUTH	DR.	CK.
07/09/09	C	DIM. 12.0 WAS 11.5. DIM. 410.0 WAS 406.4. 26 AWG WAS 24AWG	T.B.	B.S.	
10/10/14	D	UPDATED TO ROHS 2 COMPLIANT	T.B.	B.S.	



NOTES:

- MATERIAL:
 HOUSING : BLACK POLYPROPYLENE, UL94V-0, 2% TO 5% TALC FILLED
 SPRING: SPRING STEEL, NICKEL PLATED
 CONTACTS: SPRING STEEL, NICKEL PLATED
 WIRE: 26AWG, BLACK FOR POSITIVE TERMINAL, BLACK W/WHITE TRACER FOR NEGATIVE TERMINAL
 ROHS 2 COMPLIANT

Tolerance (Except as noted)	 Memory Protection Devices, Inc 200 Broad Hollow Road, Farmingdale, New York 11735		
decimal ±.5 (.020)	Scale	Drawn By B.S.	
Fractional ± .8 (.030)	Title EIGHT "AA" CELL HOLDER WITH COVERS		
Angular ± 3°	Date 10/10/14	Drawing Number BK-030	