



LAYOUT SHOWN AS EXAMPLE

Keying Shown as example

CHARACTERISTICS

- Standard : Based on MIL-DTL-38999 Series III
- Shell Material : Aluminium
- Shell Plating : Nickel
- Insulator : Thermoplastic
- Contacts : Copper Alloy
- Seals & Grommet : Silicon Elastomer
- Contact Plating : Gold over copper Alloy 0.8µm minimum
- Durability : 500 Mating cycles
- Delivered with Souriau contacts and Accessories
- Temperature Range : -65°C to +200°C
- Salt Spray : 48 hours
- Mass : 24.32 g ± 10%

| Connector dimension | |
|---------------------|-----------------|
| Dim | Nominal |
| A | 38.1±0.3 |
| B | 23.82+0.1/-0.15 |
| R | 32.5Max |
| S | 34.9±0.4 |
| W | 2.2+0.9/-0.1 |
| VV THREAD | M18x1-6g |

SOURIAU shall not be liable for any non-conformity or damage due to a use of the Products which does not comply with the Specifications issued by either of the Parties or by a third party (professional recommendation, technical notice.)

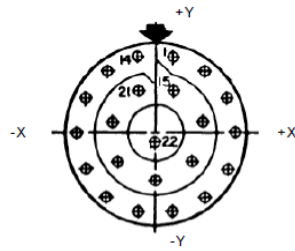
| Country | Jurisdiction & Control List |
|---------|-----------------------------|
| FR | Not Listed |

PN: 8D713F35AB

| | | | |
|--------------|---|--------------------------------|---|
| A | 28-09-2016 | First Release | |
| ISS | DATE | Latest modification - by | MOD N° |
| Designed By: | | Date: | CUSTOMER DRAWING |
| TITLE | Aluminium Receptacle 8D series | | |
| SCALE | | General linear Tolerances: ±-- | NPRDS / PROJECT 859 |
| NA | SOURIAU WWW.SOURIAU.COM | | This document is the property of SOURIAU it must not be reproduced or communicated without permission |
| FORMAT | A3 | | SOURIAU DRG N° 8D713F35AB-C |
| | | | SHEET 1/2 |

| | | | | | | | | | |
|----------------|------------------------|---|---|----|---|----|---|---|---------------------------------|
| BASIC SERIES: | 8D | 7 | - | 13 | F | 35 | A | B | ORIENTATION : B |
| SHELL TYPE : | Jam nut Receptacle | | | | | | | | CONTACT TYPE : PIN(500 Matings) |
| CONTACT TYPE : | Standard Crimp Contact | | | | | | | | CONTACT LAYOUT : 13-35 |
| SHELL SIZE : | 13 | | | | | | | | |
| PLATING : | F = Nickel | | | | | | | | |

Contact Layout



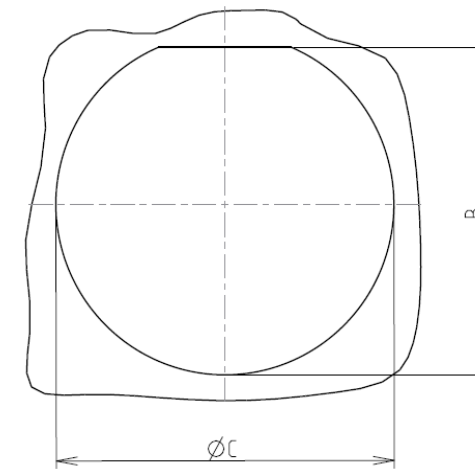
| Contacts (Insert arrangement 13-35) | | | | | |
|--|-------------|-------------|---------------------|-------------|-------------|
| Contact position ID | Location | | Contact position ID | Location | |
| | X-axis (mm) | Y-axis (mm) | | X-axis (mm) | Y-axis (mm) |
| 1 | +045 (1.14) | +197 (5.00) | 12 | -182 (4.62) | +088 (2.24) |
| 2 | +126 (3.20) | +158 (4.01) | 13 | -126 (3.20) | +158 (4.01) |
| 3 | +182 (4.62) | +088 (2.24) | 14 | -045 (1.14) | +197 (5.00) |
| 4 | +203 (5.16) | +000 (0.00) | 15 | +045 (1.14) | +107 (2.72) |
| 5 | +182 (4.62) | -088 (2.24) | 16 | +117 (2.97) | +026 (0.66) |
| 6 | +126 (3.20) | -158 (4.01) | 17 | +093 (2.36) | -075 (1.91) |
| 7 | +045 (1.14) | -197 (5.00) | 18 | +000 (.00) | -120 (3.05) |
| 8 | -045 (1.14) | -197 (5.00) | 19 | -093 (2.36) | -075 (1.91) |
| 9 | -126 (3.20) | -158 (4.01) | 20 | -117 (2.97) | +026 (0.66) |
| 10 | -182 (4.62) | -088 (2.24) | 21 | -045 (1.14) | +107 (2.72) |
| 11 | -203 (5.16) | +000 (0.00) | 22 | +000 (.00) | -030 (0.76) |

(Applicable to MIL-DTL-38999 only)

| Shell size | Arrangement no. | Number of contacts | Size contacts | Service rating | Contact location | Supersedes |
|------------|-----------------|--------------------|---------------|----------------|------------------|------------|
| 13 | -35 | 22 | 22D | M | All | MS27527-35 |

Panel cutout

JAM NUT RECEPTACLE (TYPE 7)



| Dim | Nominal |
|-----|---------------|
| B | 24.26+0/-0.25 |
| ØC | 25.65+0.25/-0 |

SOURIAU shall not be liable for any non-conformity or damage due to a use of the Products which does not comply with the Specifications issued by either of the Parties or by a third party (professional recommendation, technical notice.)

| Country | Jurisdiction & Control List |
|---------|-----------------------------|
| FR | Not Listed |

PN: 8D713F35AB

| | | | |
|----------------|--|--------------------------------|--|
| A | 28-09-2016 | First Release | |
| ISS | DATE | Latest modification - by | MOD N° |
| Designed By: | | Date: | CUSTOMER DRAWING |
| TITLE | Aluminium Receptacle 8D series | | |
| SCALE | | General linear Tolerances: ±-- | NPRDS / PROJECT 859 |
| SOURIAU | WWW.SOURIAU.COM | | This document is the property of SOURIAU it must not be reproduced or communicated without permission |
| FORMAT | SOURIAU DRG N° 8D713F35AB-C | | SHEET 2/2 |