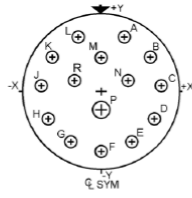


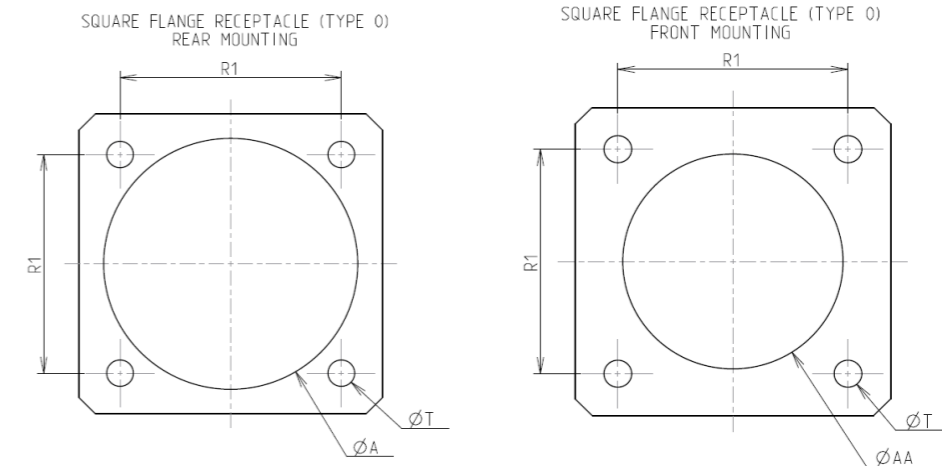
Contact Layout



Contacts (Insert arrangement 15-15)					
Contact position ID	Location		Contact position ID	Location	
	X-axis (mm)	Y-axis (mm)		X-axis (mm)	Y-axis (mm)
A	+100 (2.54)	+225 (5.72)	J	-244 (6.20)	+014 (0.36)
B	+202 (5.13)	+140 (3.56)	K	-202 (5.13)	+140 (3.56)
C	+244 (6.20)	+014 (0.36)	L	-100 (2.54)	+225 (5.72)
D	+218 (5.54)	-113 (2.87)	M	+000 (0.00)	+140 (3.56)
E	+126 (3.20)	-209 (5.31)	N	+110 (2.79)	+040 (1.02)
F	+000 (0.00)	-245 (6.22)	P	+000 (0.00)	-077 (1.96)
G	-126 (3.20)	-209 (5.31)	R	-110 (2.79)	+040 (1.02)
H	-218 (5.54)	-113 (2.87)			

Shell size	Arrangement no.	Number of contacts	Size contacts	Service rating	Contact location	Supersedes
15	-15	14	16	I	P All other	MS20052-15

Panel Cutout



Dim	Nominal
ØA	26.59 min
ØAA	23.01 min
R1	24.61
ØT	3.25 ±0.13

SOURIAU shall not be liable for any non-conformity or damage due to a use of the Products which does not comply with the Specifications issued by either of the Parties or by a third party (professional recommendation, technical notice.)

Country	Jurisdiction & Control List
FR	Not Listed

PN: 8D015X15SE

A	17-10-2016	First Release	
ISS	DATE	Latest modification - by	MOD N°
Designed By:		Date:	CUSTOMER DRAWING
TITLE	Composite Receptacle 8D series		
SCALE		General linear Tolerances:	NPRDS / PROJECT
NA		±--	859
SOURIAU	WWW.SOURIAU.COM		This document is the property of SOURIAU it must not be reproduced or communicated without permission
FORMAT	SOURIAU DRG N° 8D015X15SE-C		SHEET 2/2