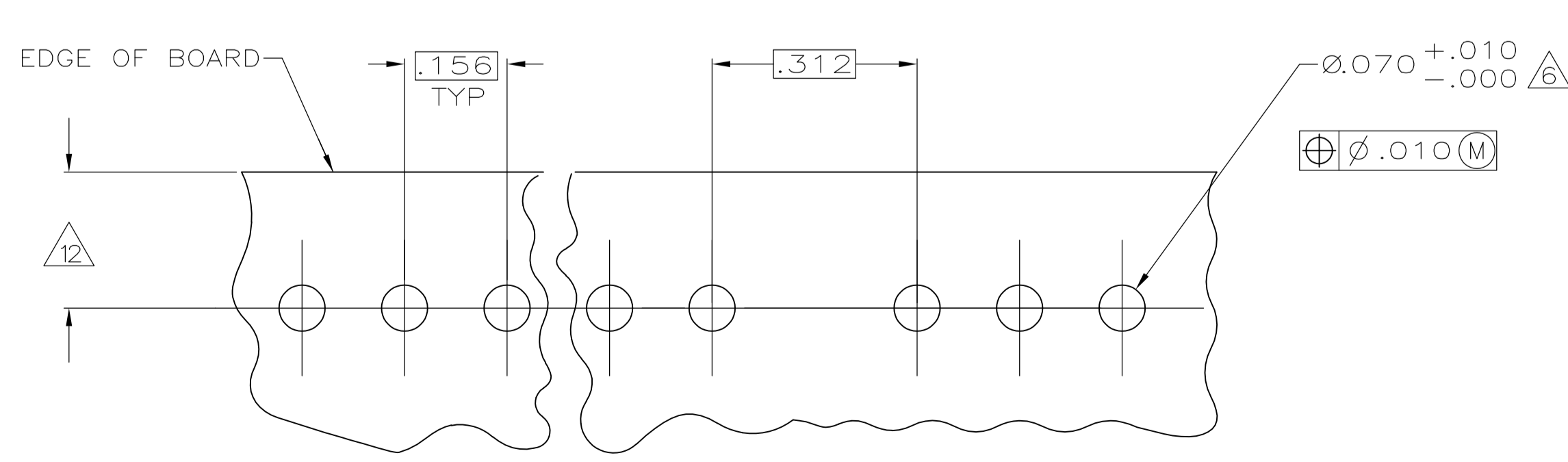
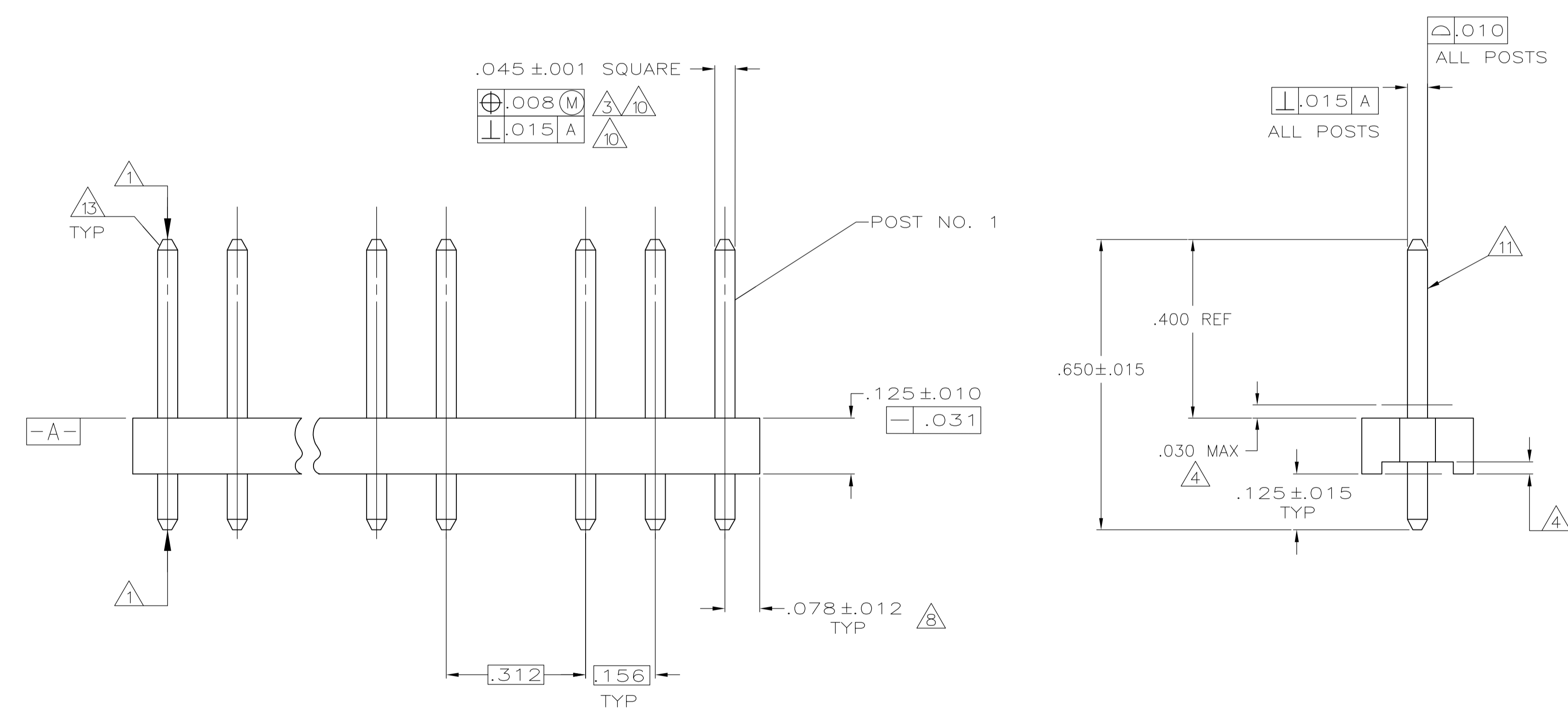


- ① POST TO WITHSTAND 13 NEWTONS (3LBS.) MIN. AXIAL FORCE IN BOTH DIRECTIONS SHOWN WITHOUT DISLODGING.
- ② TOLERANCES APPLY TO SOLDER SIDE OF BOARD.
- ③ MEASURED AT SURFACE -A-
- ④ PLASTIC FLASH PERMITTED IN THIS AREA.
- 5. PARTS COMPLY WITH AMP SOLDERABILITY SPEC. NO. 109-11-2.
- ⑤ ONE HOLE MAY BE UNDERSIZED (.065/.060 DIA.) FOR ASSEMBLY RETENTION DURING WAVE SOLDERING.
- ⑥ MATERIAL: HEADER-THERMOPLASTIC POLYESTER  
GLASS-FILLED 94V-0(NATURAL)  
POST-COPPER ALLOY (TIN PLATED)
- ⑧ COORDINATE DIMENSION APPLIES FROM CENTER OF ACTUAL FEATURE.
- 9. PLASTIC BURRS CAUSED BY CUT-OFF TOOLING ARE PERMITTED WITHIN THE MAXIMUM TOLERANCE ENVELOPE.
- ⑩ POST TO BE MEASURED WHEN STRIP IS HELD FLAT.
- ⑪ POST MUST WITHSTAND TWO 90° BENDS AGAINST EXTRUSION WITHOUT BREAKING.
- ⑫ DIMENSION SHOULD BE .140 MIN WHEN MATING WITH A MTA-156 CONNECTOR ASSEMBLY OR A SL-156 CONNECTOR ASSEMBLY.
- ⑬ PIN BURR OF .005 MAX. VERTICAL AND .003 MAX. HORIZONTAL PERMITTED AT POST TIPS ON BOTH ENDS.



RECOMMENDED MOUNTING HOLE PATTERN ② FOR .063 THICK P.C. BOARD

.060	1.52	-	-
.045	1.14	3.120	79.25
.031	0.79	.700	17.78
.030	0.76	.450	11.43
.018	0.46	.312	7.92
.015	0.38	.250	6.35
.012	0.30	.156	3.96
.010	0.25	.140	3.56
.008	0.20	.125	3.18
.005	0.13	.078	1.98
.003	0.08	.070	1.78
.001	0.03	.065	1.65
.000	0.00	.063	1.60
IN	MM	IN	MM

CONVERSION TABLE

644036-2 SHOWN

5	644036-5
2	644036-4
7, 17, 18	644036-3
4	644036-2
POST NUMBER OMITTED	PART NUMBER

THIS DRAWING IS A CONTROLLED DOCUMENT.

DIMENSIONS: INCHES	TOLERANCES UNLESS OTHERWISE SPECIFIED:	DIN J. HUFFMAN 4-21-97	NAME
0. PLC ± -	1. PLC ± -	CHK R. SWING 4-21-97	MTA-156 HEADER ASSEMBLY, PLAIN, STRAIGHT, .045 SQUARE POST, TIN PLATED, 20 POSITION, OMITTED POST
2. PLC ± -	3. PLC ± .005	APVO G. JONES 4-21-97	APPLICATION SPEC
4. PLC ± -	ANGLES ± -	SIZE	WEIGHT
		A1	00779
MATERIAL	FINISH	SCALE	RESTRICTED TO
		5:1	644036

CUSTOMER DRAWING

SCALE 5:1 SHEET 1 OF 1 REV K1

