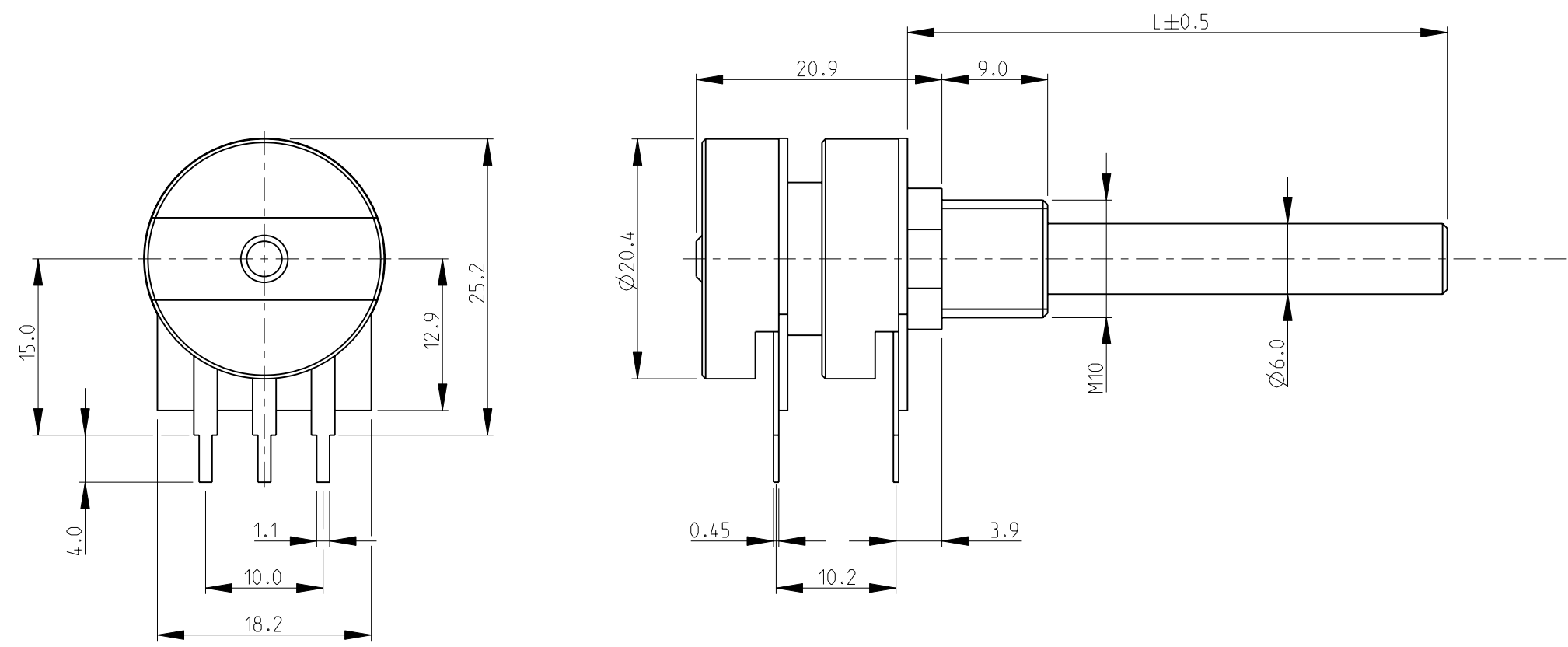


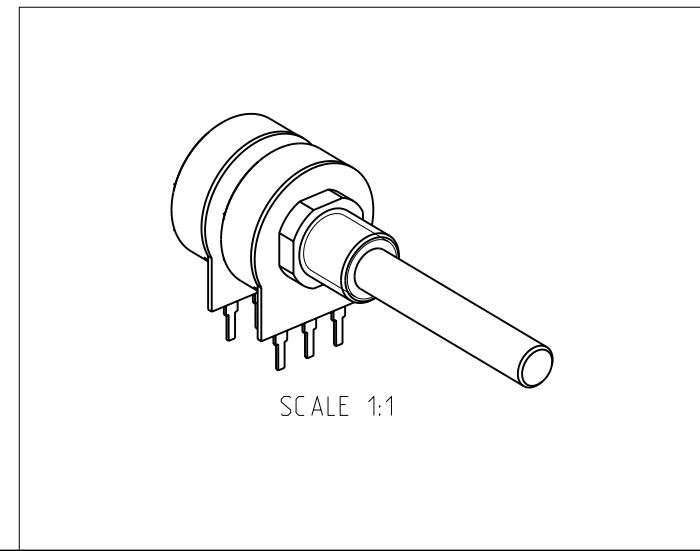
THIS DRAWING IS UNPUBLISHED. RELEASED FOR PUBLICATION 2008
 © COPYRIGHT 2008 BY TYCO ELECTRONICS CORPORATION. ALL RIGHTS RESERVED.

LOC	DIST	REVISIONS			
P	LTR	DESCRIPTION	DATE	DWN	APVD
E	B	BA	NEW RELEASE	26-NOV-08	SM St.P

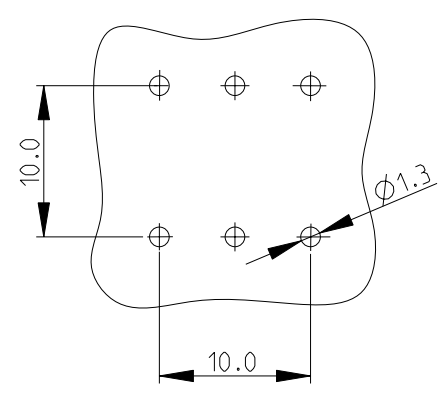
- 1 AVAILABLE IN DIFFERENT SHAFT LENGTHS (L) AND STYLES. SEE DATA SHEET
- 2 FOR FURTHER INFORMATION SEE DATA SHEET FOR 23 SERIES-SPINDLE OPERATED POTENTIOMETER



RoHS Compliant



PCB LAYOUT PLAN



THIS DRAWING IS A CONTROLLED DOCUMENT FOR TYCO ELECTRONICS CORPORATION IT IS SUBJECT TO CHANGE AND THE CONTROLLING ENGINEERING ORGANIZATION SHOULD BE CONTACTED FOR THE LATEST REVISION.		DWN	SUBHASH.M	26-NOV-08	Tyco Electronics Corporation Dorcan, Swindon, SN3 5HH	
DIMENSIONS: mm		CHK	PRAKASH.S	26-NOV-08	NAME SPINDLE OPERATED POTENTIOMETER SERIES 23 (DUAL GANG STYLE)	
TOLERANCES UNLESS OTHERWISE SPECIFIED:		APVD	STEPHEN.P	26-NOV-08	PRODUCT SPEC -	
0 PLC ±0.2		APPLICATION SPEC		-		
1 PLC ±0.1		WEIGHT		-		
2 PLC ±		CUSTOMER DRAWING		SCALE 2:1		
3 PLC ±		SIZE A3		CAGE CODE 00779		
4 PLC ±		DRAWING NO		C=1624187		
ANGLES ±5°		RESTRICTED TO		-		
MATERIAL -		FINISH -		SHEET 1 OF 1		
FINISH -		REV		BA		