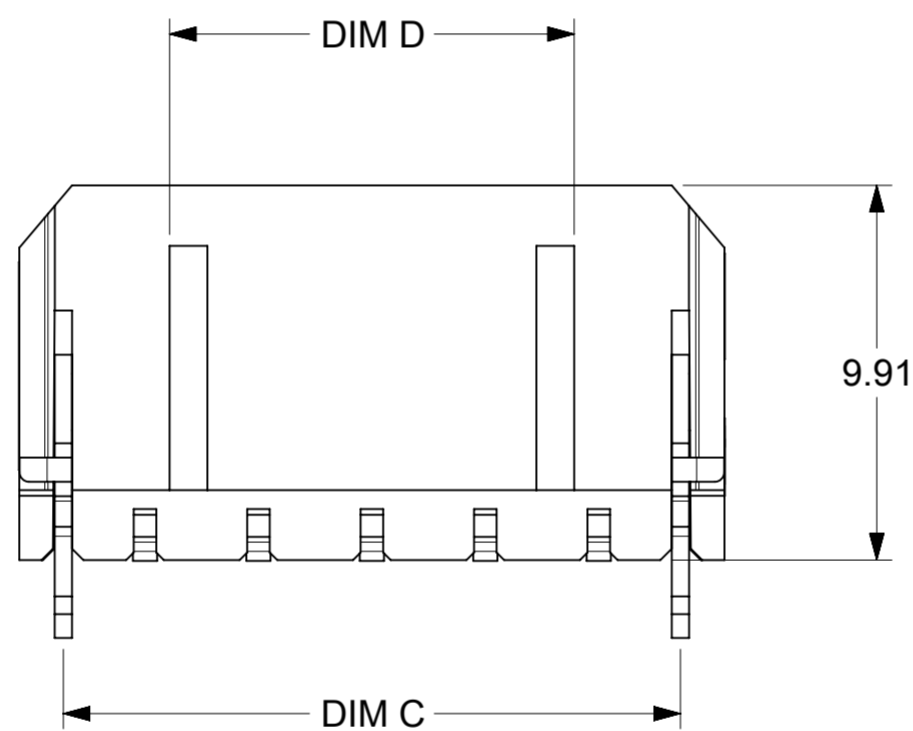
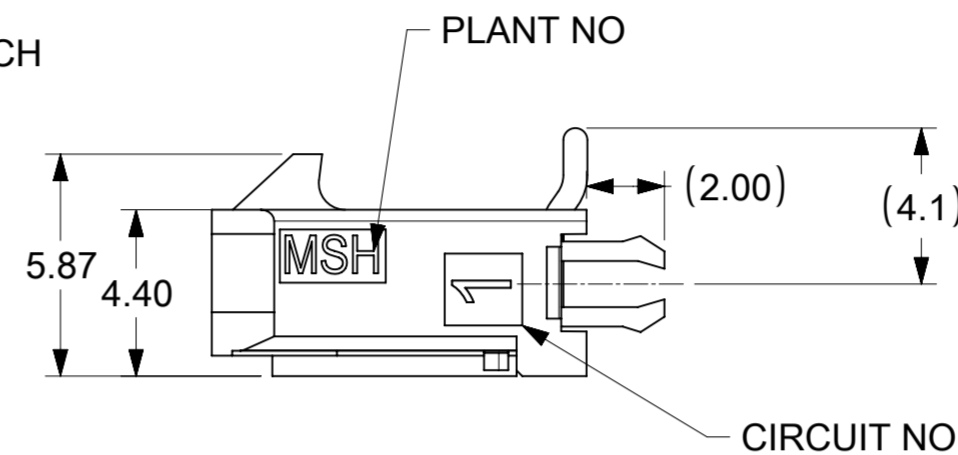
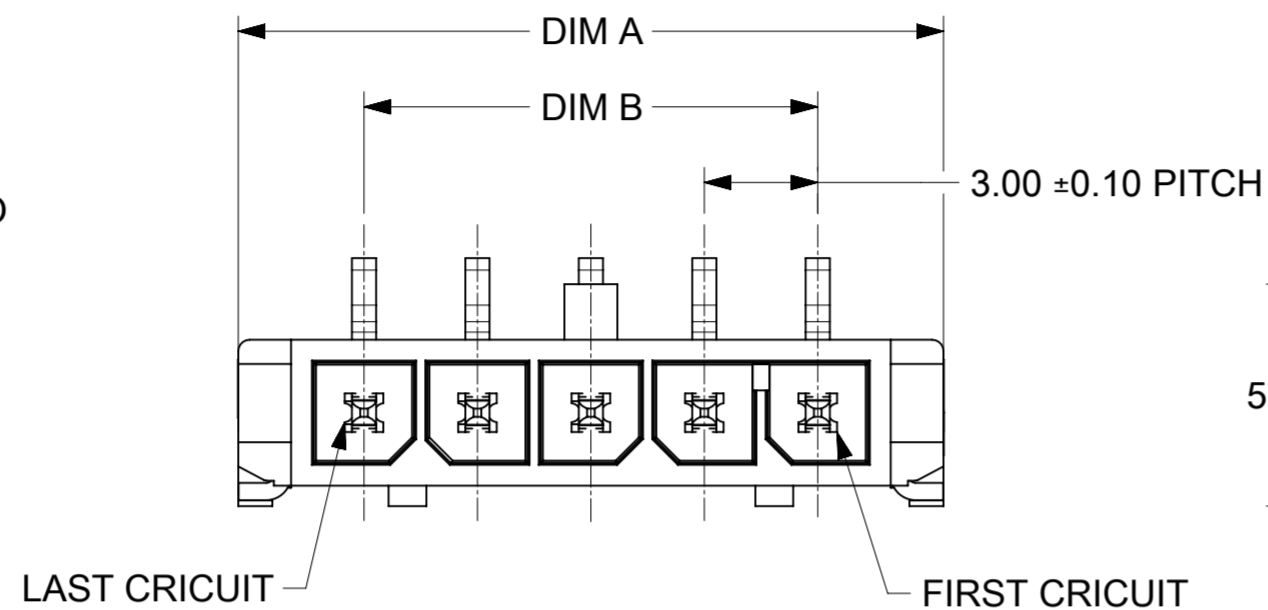
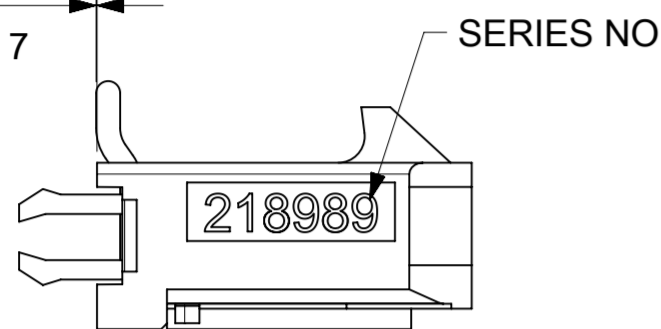


FINISH TYPE	"0" TIN	"1" 15MICROINCH GOLD	"2" 30MICROINCH GOLD				
CKT	HDR ASSY PN	HDR ASSY PN	HDR ASSY PN	A	B	C	D
2	2189890230	2189890231	2189890232	9.65	3.00	7.30	2.95
3	2189890330	2189890331	2189890332	12.65	6.00	10.30	2.95
4	2189890430	2189890431	2189890432	15.65	9.00	13.30	7.70
5	2189890530	2189890531	2189890532	18.65	12.00	16.30	10.70

0~0.15  
SEE NOTE 7



**LEGEND**

218989 - \* \* \* \*

SERIES NO. \_\_\_\_\_

CKT NO. \_\_\_\_\_

OPTION

0: RIGHT ANGLE WITH NAIL

1: RIGHT ANGLE WITH CLIP

2: VERTICAL WITH NAIL

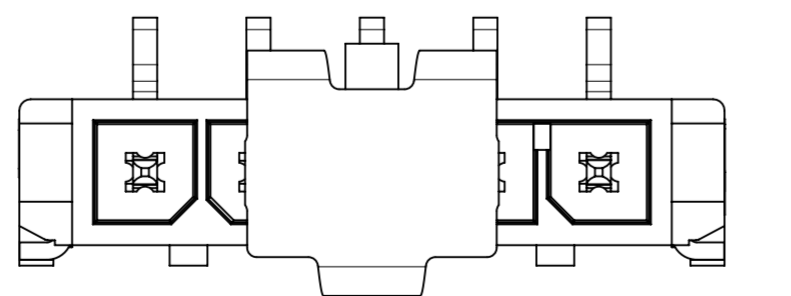
3: VERTICAL WITH CLIP

PLATING OPTION

0: TIN

1: 15MICROINCH AU

2: 30MICROINCH AU

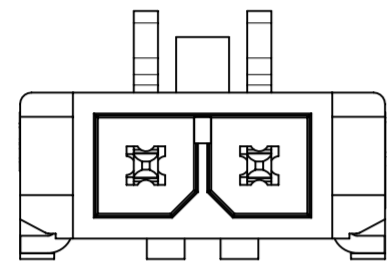


SHOWN WITH DISPOSABLE CAP (43859-000\*)  
SEE NOTE 5

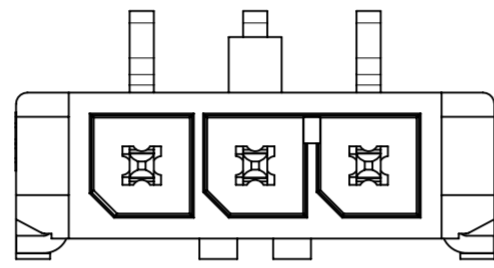
**NOTES:**

- HOSING MATERIAL: GLASS FILLED LIQUID CRYSTAL POLYMER, UL 94V-0, COLOR: BLACK  
TERMINAL MATERIAL: HIGH COPPER ALLOY
- FINISH:  
OPTION "0": REFLOW MATTE TIN OVER NICKEL  
OPTION "1": SELECT 15MICROINCH GOLD AND SELECT MATTE TIN OVER NICKEL.  
OPTION "2": SELECT 30MICROINCH GOLD AND SELECT MATTE TIN OVER NICKEL.
- PRODUCT SPECIFICATION : 2064600000-PS
- PRODUCT TEST SUMMARY: 2064600000-TS
- T&R PACK : 2189890001-PK
- MATE WITH RECEPTACLE 215759
- THE COPLANARITY DIMENSION IS ESTABLISHED BY PLACING THE ASSEMBLY ON A FLAT SURFACE. THE DISTANCE FROM THAT SURFACE TO THE BOTTOM OF ANY TERMINAL OR NAIL MUST NOT EXCEED 0.15
- THIS PART CONFORMS TO CLASS 'B' REQUIREMENTS OF COSMETIC SPECIFICATION PS-45499-002.

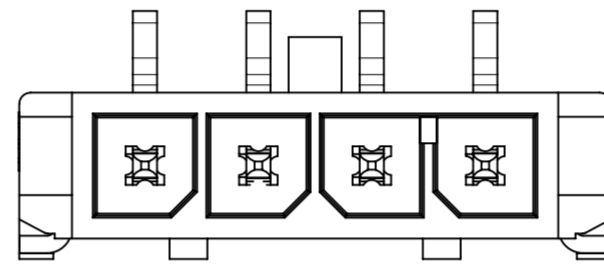
THIS DRAWING CONTAINS INFORMATION THAT IS PROPRIETARY TO MOLEX ELECTRONIC TECHNOLOGIES, LLC AND SHOULD NOT BE USED WITHOUT WRITTEN PERMISSION									
DIMENSION UNITS	SCALE	CURRENT REV DESC:							
mm	NTS								
GENERAL TOLERANCES (UNLESS SPECIFIED)					MICRO-FIT + SINGLE ROW VERTICAL SMT HEADER WITH PRESS CLIP  PRODUCT CUSTOMER DRAWING				
ANGULAR TOL ± 3.0°									
4 PLACES	±	EC NO: 724761			DOCUMENT NUMBER: 2189890030-SD DOC TYPE: PSD DOC PART: 000 REVISION: A				
3 PLACES	±	DRWN: ZIXUAQ	2022/09/08						
2 PLACES	±	CHK'D: XQZHANG	2022/10/17						
1 PLACE	±	APPR: XQZHANG	2022/10/17						
0 PLACES	±	INITIAL REVISION:							
DRAFT WHERE APPLICABLE MUST REMAIN WITHIN DIMENSIONS		DRWN: ZIXUAQ	2022/09/08		MATERIAL NUMBER: SEE TABLE				
THIRD ANGLE PROJECTION		APPR: XQZHANG	2022/10/17		CUSTOMER: GENERAL MARKET				
DRAWING		SERIES		SHEET NUMBER					
A2-SIZE		218989		1 OF 2					



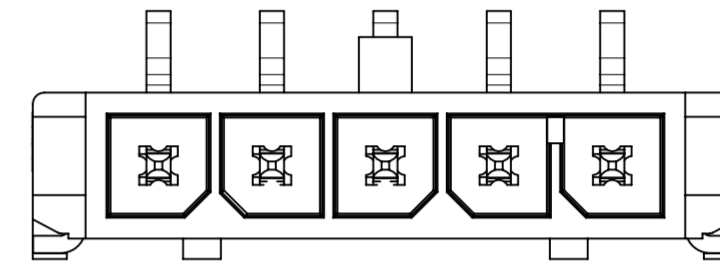
2CKT



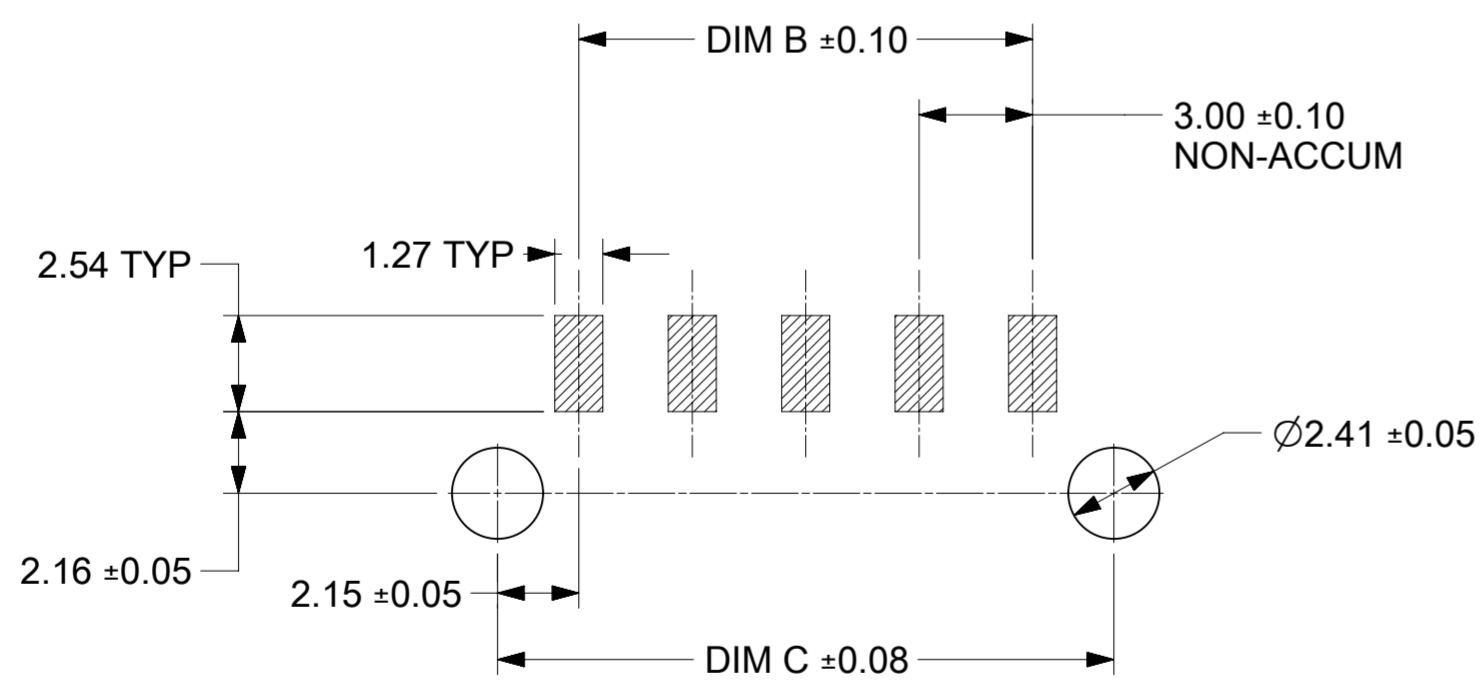
3CKT



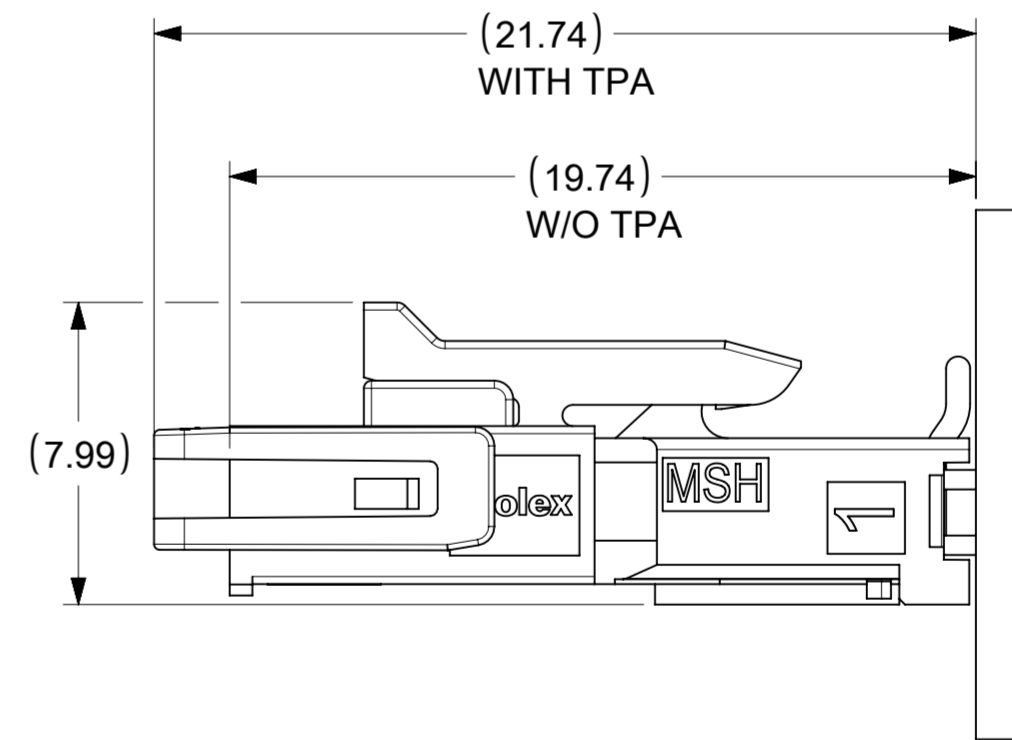
4CKT



5CKT



PCB LAYOUT: COMPONENT SIDE  
RECOMMENDED THICKNESS :1.60 ±0.05MM



THIS DRAWING CONTAINS INFORMATION THAT IS PROPRIETARY TO MOLEX ELECTRONIC TECHNOLOGIES, LLC AND SHOULD NOT BE USED WITHOUT WRITTEN PERMISSION									
DIMENSION UNITS	SCALE	CURRENT REV DESC:							
mm	NTS								
GENERAL TOLERANCES (UNLESS SPECIFIED)		EC NO: 724761			<b>MICRO-FIT + SINGLE ROW VERTICAL SMT HEADER WITH PRESS CLIP</b>				
ANGULAR TOL	± 3.0°	DRWN: ZIXUAQ 2022/09/08							
4 PLACES	±	CHK'D: XQZHANG 2022/10/17			<b>PRODUCT CUSTOMER DRAWING</b>				
3 PLACES	±	APPR: XQZHANG 2022/10/17							
2 PLACES	± 0.25	INITIAL REVISION:			DOCUMENT NUMBER: <b>2189890030-SD</b>   DOC TYPE: PSD   DOC PART: 000   REVISION: A				
1 PLACE	± 0.36	DRWN: ZIXUAQ 2022/09/08							
0 PLACES	±	APPR: XQZHANG 2022/10/17			MATERIAL NUMBER: SEE TABLE   CUSTOMER: GENERAL MARKET   SHEET NUMBER: 2 OF 2				
DRAFT WHERE APPLICABLE MUST REMAIN WITHIN DIMENSIONS	THIRD ANGLE PROJECTION	DRAWING: A2-SIZE	SERIES: 218989						