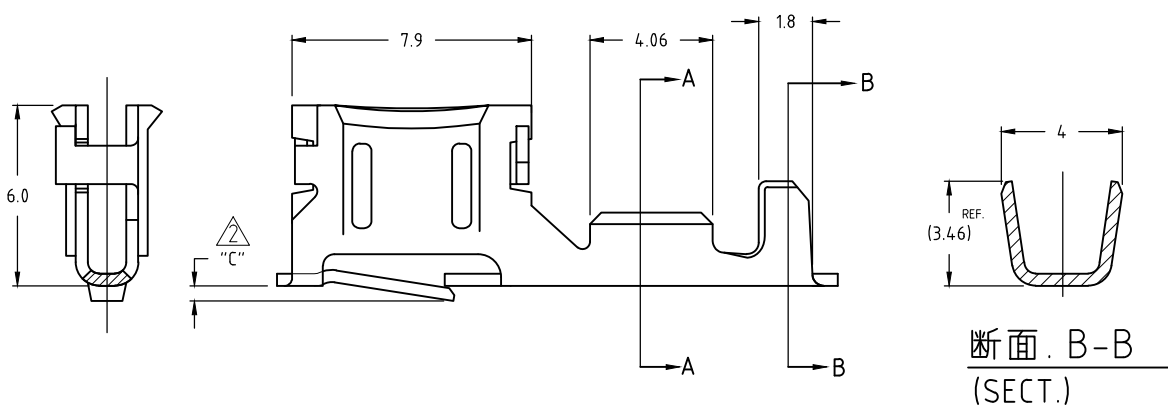
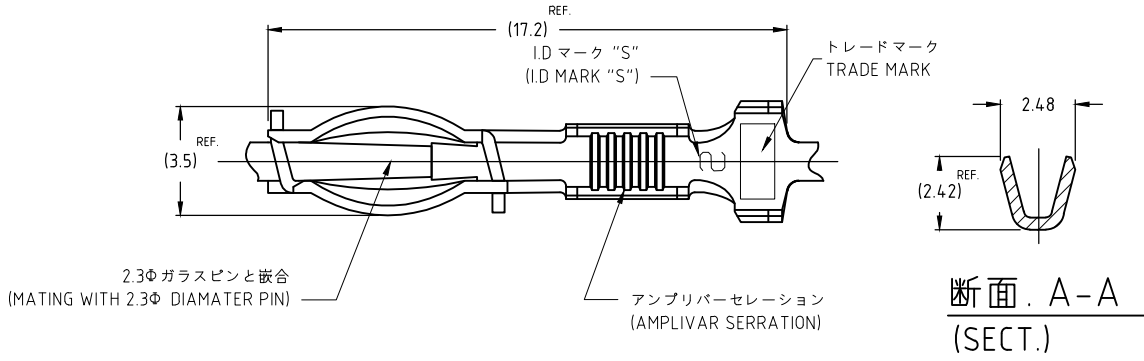


REVISIONS					
P	LTR	DESCRIPTION	DATE	DWN	APVD
	B2	CORRECTED BARREL HEIGHT DIMENSIONS	13MAY2020	MB	TD



注：
 1. 適用ハウジング □-171370-□
 △ランス高さ

	圧着前	圧着後
寸法 "C"	0.7MAX	0.7~1.6

NOTES;
 1. APPLICABLE HSG □-171370-□
 △ LANCE HEIGHT

	BEFORE CRIMPING	AFTER CRIMPING
DIMENSION "C"	0.7MAX	0.7~1.6

0.113~0.730mm ² (AWG #26~#16)	0.9~2.0mm	1123655-1
(WIRE RANGE) 抱合電線断面積	(INSULATION DIA) 被覆外径	型番 (P/N)

DIMENSIONS: mm	DWN J.SATO 23MAY2007	MATERIAL (PHOS-BRO)	FINISH (TIN PLATED)
	CHK S.MANABE 25MAY2007	TE Connectivity	
TOLERANCES UNLESS OTHERWISE SPECIFIED:	APVD S.MANABE 25MAY2007		
	0 PLC 10 ≥ ± 0.2 1 PLC >10 ± 0.25 2 PLC ± 3 PLC ± 4 PLC ± ANGLES ± 3DEG	PRODUCT SPEC 108-5574-1	SIZE A4
	APPLICATION SPEC 114-5242-1	DRAWING NO C-1123655	RESTRICTED TO -
	WEIGHT 0.000000	CUSTOMER DRAWING	
SCALE 4:1		SHEET 1 OF 1	REV B2