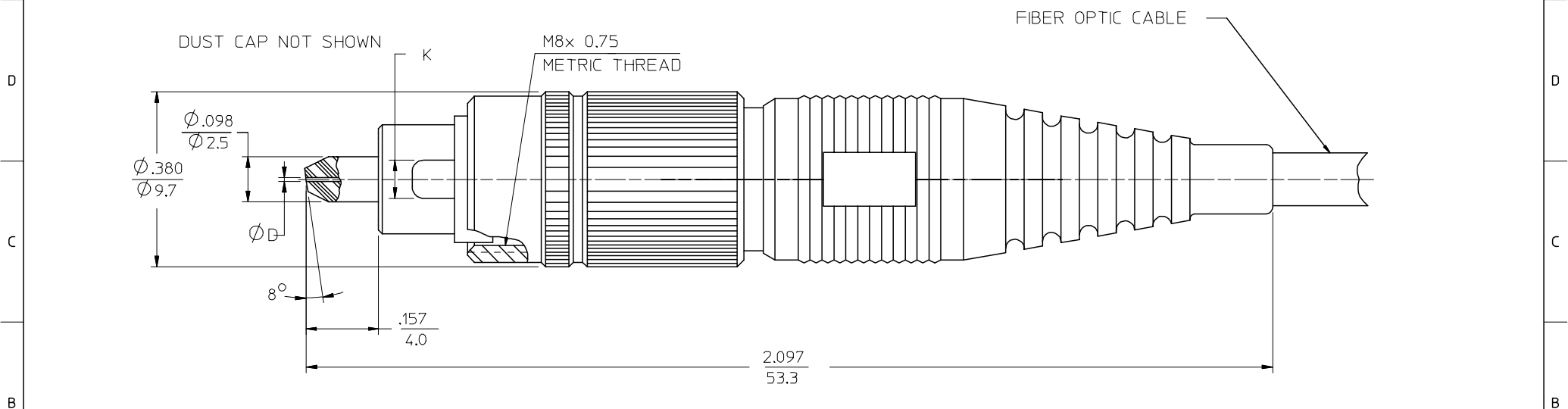


CONNECTOR P/N	ØD(mm)	K (KEY)	TYPE OF FIT	CABLE DIAMETER (mm)
86056-2000	.1255	.083 2.1	STANDARD	3
86056-2300				2.4
86055-2000	.125	.0785 2.0	TIGHT	3
86056-4000				2.4
86056-4300	.126	.083 2.1	STANDARD	3
86055-4000				2.4
86056-5000	.126	.083 2.1	STANDARD	3
86056-4300				2.4
86055-5000		.0785 2.0	TIGHT	3
86055-5300				2.4



ENTER DESCRIPTION EC NO: MF2007-0643 DRW: DRW/KPEVZNER CHKD: 2007/05/10 APPR: IGUMIN 2007/05/15	QUALITY SYMBOLS ▽=0 ▽=0	GENERAL TOLERANCES (UNLESS SPECIFIED) <table border="1"> <thead> <tr> <th></th> <th>mm</th> <th>INCH</th> </tr> </thead> <tbody> <tr> <td>4 PLACES</td> <td>± .005</td> <td>± .0004</td> </tr> <tr> <td>3 PLACES</td> <td>± .003</td> <td>± .0002</td> </tr> <tr> <td>2 PLACES</td> <td>± .002</td> <td>± .0001</td> </tr> <tr> <td>1 PLACE</td> <td>± .001</td> <td>± .00005</td> </tr> </tbody> </table>		mm	INCH	4 PLACES	± .005	± .0004	3 PLACES	± .003	± .0002	2 PLACES	± .002	± .0001	1 PLACE	± .001	± .00005	DIMENSION STYLE IN/MM	SCALE 4:1	DESIGN UNITS INCH	THIRD ANGLE PROJECTION
		mm	INCH																		
	4 PLACES	± .005	± .0004																		
	3 PLACES	± .003	± .0002																		
2 PLACES	± .002	± .0001																			
1 PLACE	± .001	± .00005																			
DRAWN BY CHECKED BY APPROVED BY	DATE DATE DATE	TITLE FCII APC CONNECTOR ONE PIECE DESIGN																			
MATERIAL NO. SEE TABLE		DOCUMENT NO. 8605X-XX00CD		SHEET NO. 1 OF 1																	
DRAFT WHERE APPLICABLE MUST REMAIN WITHIN DIMENSIONS						THIS DRAWING CONTAINS INFORMATION THAT IS PROPRIETARY TO MOLEX INCORPORATED AND SHOULD NOT BE USED WITHOUT WRITTEN PERMISSION															