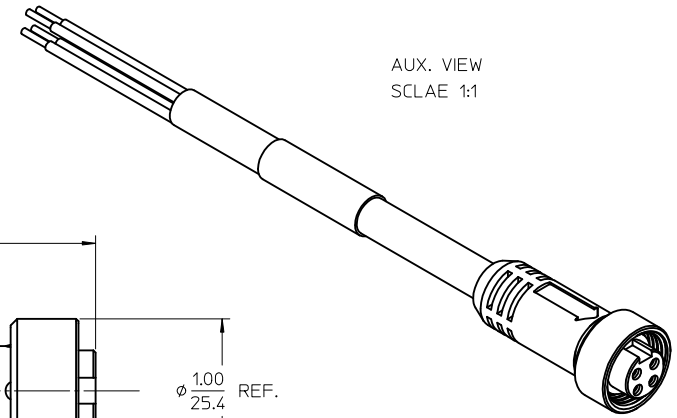
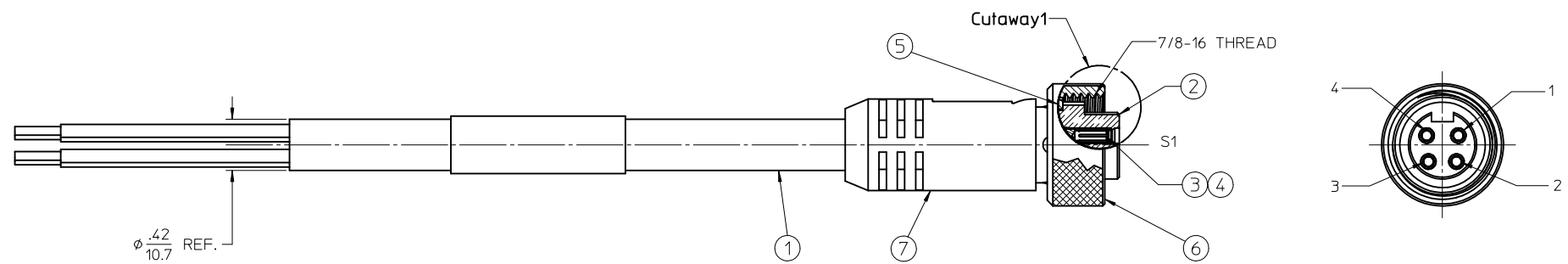
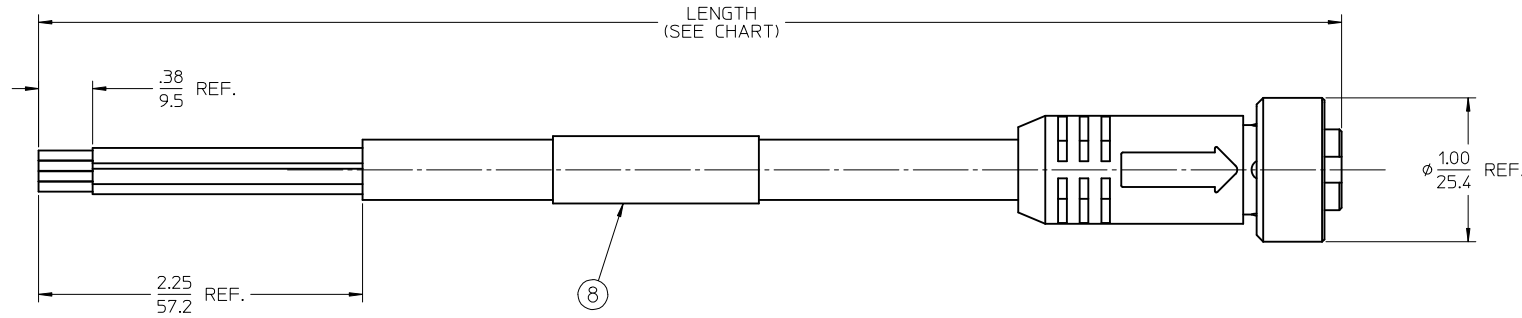


PART NUMBER	ENGINEERING NO.	LENGTH
848569113	84856-9113	3.28' +2.19" - 0 [1.0M +55.6mm - 0]
848569114	84856-9114	16.40' +6.50" - 0 [5.0M +165.1mm - 0]
848569115	84856-9115	32.80' +12.50" - 0 [10.0M +317.5mm - 0]



AUX. VIEW
SCLAE 1:1



- NOTES:
1. MATERIAL: SEE TABLE
 2. FINISHES: SEE TABLE
 3. CABLE ASSEMBLIES ARE BAGGED SEPARATELY IN POLY BAGS WITH BARCODE LABEL ATTACHED TO OUTSIDE OF BAG
 4. WRAP LABEL IS MARKED WITH P/N, DATE CODE VOLTAGE & AMPERAGE
 5. MATES WITH: MINI CHANGE, A-SIZE 4 POLE RECEPTACLE
 6. ELECTRICAL SPECIFICATIONS:
VOLTAGE RATING: 600V
CURRENT RATING: 10 AMPS
 7. ASSEMBLY IS RoHS COMPLIANT

S1	
1	BLACK
2	WHITE
3	RED
4	GREEN/YELLOW

WIRING DIAGRAM

ITEM	QTY.	DESCRIPTION	MATERIAL	FINISH
8	1	LABEL	PLASTIC FILM	BLACK/YELLOW
7	1	OVERMOLD	PVC	YELLOW
6	1	COUPLING NUT	BRASS	NICKEL PLATED
5	1	FRICION RING	NYLON	WHITE
4	4	SOCKET SLEEVE	ST. STEEL	
3	4	CONTACT SOCKET	BRASS	GOLD PLATED
2	1	INSERT, FEMALE, 4 POLE	PVC	YELLOW
1	1	CABLE, 16/4	PVC JACKET	YELLOW

RELEASED EC NO: WNA2010-0686 DRWN:WOODMAN 2010/05/13 CHKD:VOU 2010/05/14 APPR:JFMURPHY 2010/05/19 DESCRIPTION	QUALITY SYMBOLS	GENERAL TOLERANCES (UNLESS SPECIFIED) <table border="1"> <thead> <tr> <th></th> <th>mm</th> <th>INCH</th> </tr> </thead> <tbody> <tr> <td>4 PLACES</td> <td>± .005</td> <td>± .0005</td> </tr> <tr> <td>3 PLACES</td> <td>± .005</td> <td>± .0005</td> </tr> <tr> <td>2 PLACES</td> <td>± .005</td> <td>± .001</td> </tr> <tr> <td>1 PLACE</td> <td>± 0.3</td> <td>± .012</td> </tr> </tbody> </table>		mm	INCH	4 PLACES	± .005	± .0005	3 PLACES	± .005	± .0005	2 PLACES	± .005	± .001	1 PLACE	± 0.3	± .012	DIMENSION STYLE IN/MM	SCALE 1.5:1	DESIGN UNITS INCH	THIRD ANGLE PROJECTION
			mm	INCH																	
	4 PLACES	± .005	± .0005																		
	3 PLACES	± .005	± .0005																		
2 PLACES	± .005	± .001																			
1 PLACE	± 0.3	± .012																			
DRAFT WHERE APPLICABLE MUST REMAIN WITHIN DIMENSIONS	DRAWN BY R.STONE	DATE 2010/01/06	MINI-CHANGE 4 POLE FEMALE, STRAIGHT																		
MATERIAL NO. SEE CHART	CHECKED BY B.WOODMAN	DATE 2010/01/15	MOLEX INCORPORATED																		
SIZE C	APPROVED BY JFMURPHY	DATE 2010/01/22	DOCUMENT NO. SD-84856-008	SHEET NO. 1 OF 1	THIS DRAWING CONTAINS INFORMATION THAT IS PROPRIETARY TO MOLEX INCORPORATED AND SHOULD NOT BE USED WITHOUT WRITTEN PERMISSION																