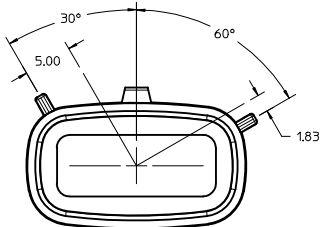
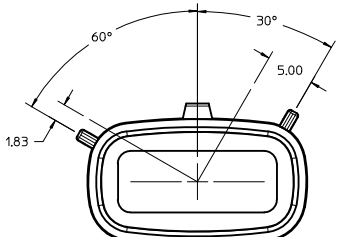


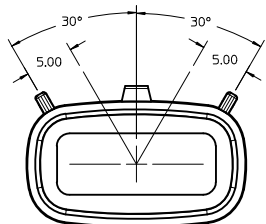
KEYING OPTION "A"
SUGGESTED COLOR: BLACK



KEYING OPTION "B"
SUGGESTED COLOR: GREY

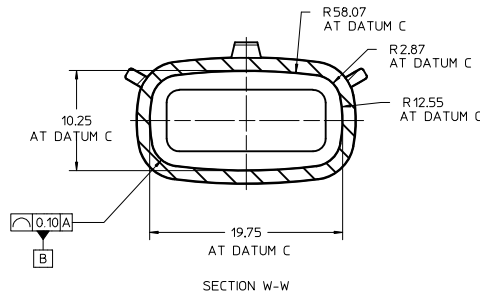
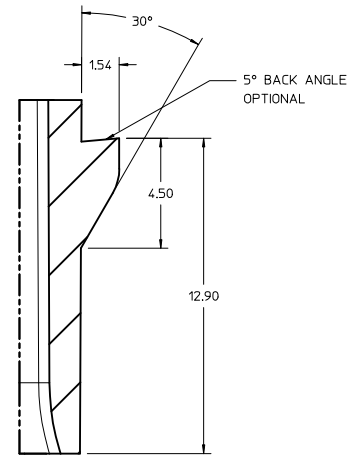
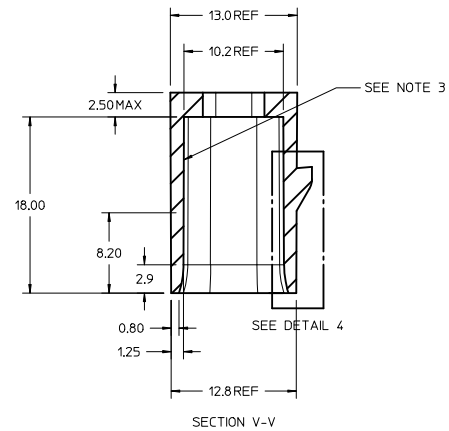
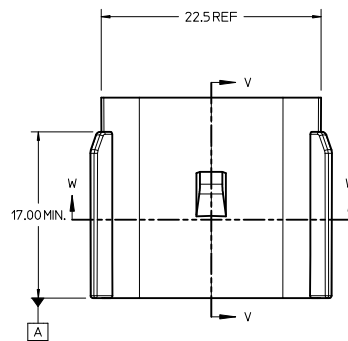
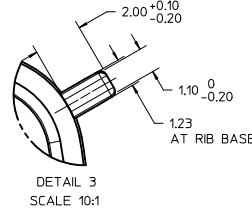
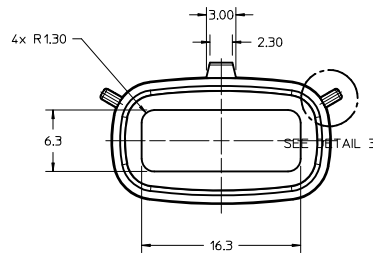


KEYING OPTION "C"
SUGGESTED COLOR: BROWN



KEYING OPTION "D"
SUGGESTED COLOR: GREEN

CUSTOMER SHROUD DESIGN DETAILS

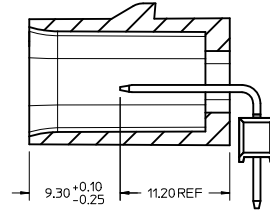
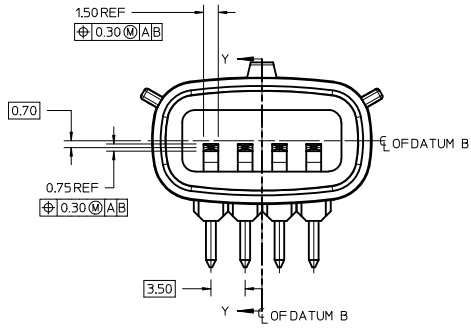


NOTES:

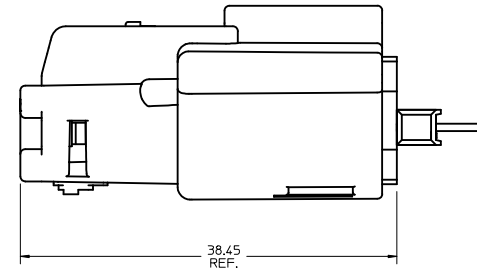
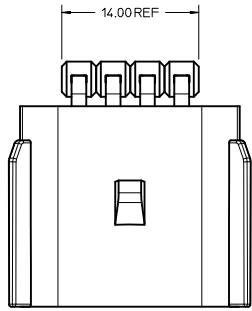
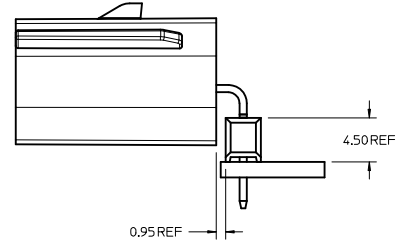
1. REFER TO MOLEX SALES DRAWING SD-75900-002 FOR THE HEADER ASSEMBLY PRODUCT DETAILS AND RECOMMENDED PCB LAYOUT.
2. KEYING OPTIONS A-D AND SUGGESTED COLORS COMPLY TO THE POLARIZATION STANDARDS ESTABLISHED FOR MATING WITH A MX150 FEMALE CONNECTOR.
3. INTERIOR SHROUD SURFACE MUST BE FREE OF DEFECTS AND PARTING LINES ALL AROUND TO ENSURE PROPER SEALING OF THE MATING MX150 FEMALE CONNECTOR.
4. A FULL SHROUD ON THE MATING CONNECTOR IS REQUIRED TO INSURE THE HEADER SHROUD POLARIZATION FEATURES (OPTIONS A-D) WILL FUNCTION PROPERLY. THE FULL SHROUD ALSO PREVENTS SCOOP DAMAGE TO THE HEADER CONTACTS.
5. PERMISSIBLE DRAFT ANGLE 0.25° MAXIMUM.
6. RADII ON ALL CORNERS SHOWN SHARP OR ALL UNSPECIFIED RADII 0.25 EXCEPT AS NOTED.
7. DIMENSIONS SHOWN ABOUT A CENTERLINE ARE SYMMETRICAL ABOUT THAT CENTERLINE WITHIN HALF THE SPECIFIED TOLERANCE.

INITIAL RELEASE EC NO: UCP2011-3372 DRAWN BY: DROSCA 2011/06/17 CHECKED BY: JCOMERC I 2011/06/17 APPROVED BY: JCOMERC I 2011/06/17 REV: 1	QUALITY SYMBOLS ▽=0 ▽=0	GENERAL TOLERANCES (UNLESS SPECIFIED) 4 PLACES ± 0.10 3 PLACES ± 0.15 2 PLACES ± 0.20 1 PLACE ± 0.25 ANGULAR ± 1/2°	DIMENSION STYLE MM ONLY	SCALE 4:1	DESIGN UNITS METRIC	THIRD ANGLE PROJECTION	
	DRAWN BY: DROSCA CHECKED BY: JCOMERC I APPROVED BY: JCOMERC I	DATE: 2011/06/17 DATE: 2011/06/17 DATE: 2011/06/17	MATERIAL NO. 759001040	DOCUMENT NO. AS-75900-104	APPLICATION SPEC 1X4 MX150 HEADER SHROUD DETAILS		
	DRAFT WHERE APPLICABLE MUST REMAIN WITHIN DIMENSIONS			MOLEX INCORPORATED			SHEET NO. 1 OF 2
	THIS DRAWING CONTAINS INFORMATION THAT IS PROPRIETARY TO MOLEX INCORPORATED AND SHOULD NOT BE USED WITHOUT WRITTEN PERMISSION						

HEADER APPLICATION DETAILS



SECTION Y-Y

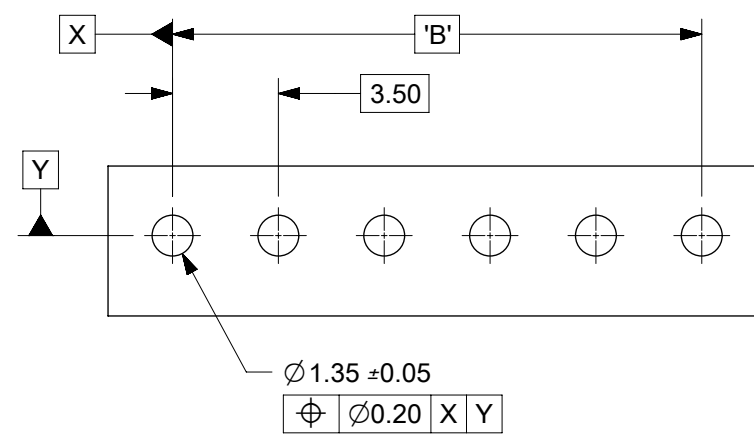
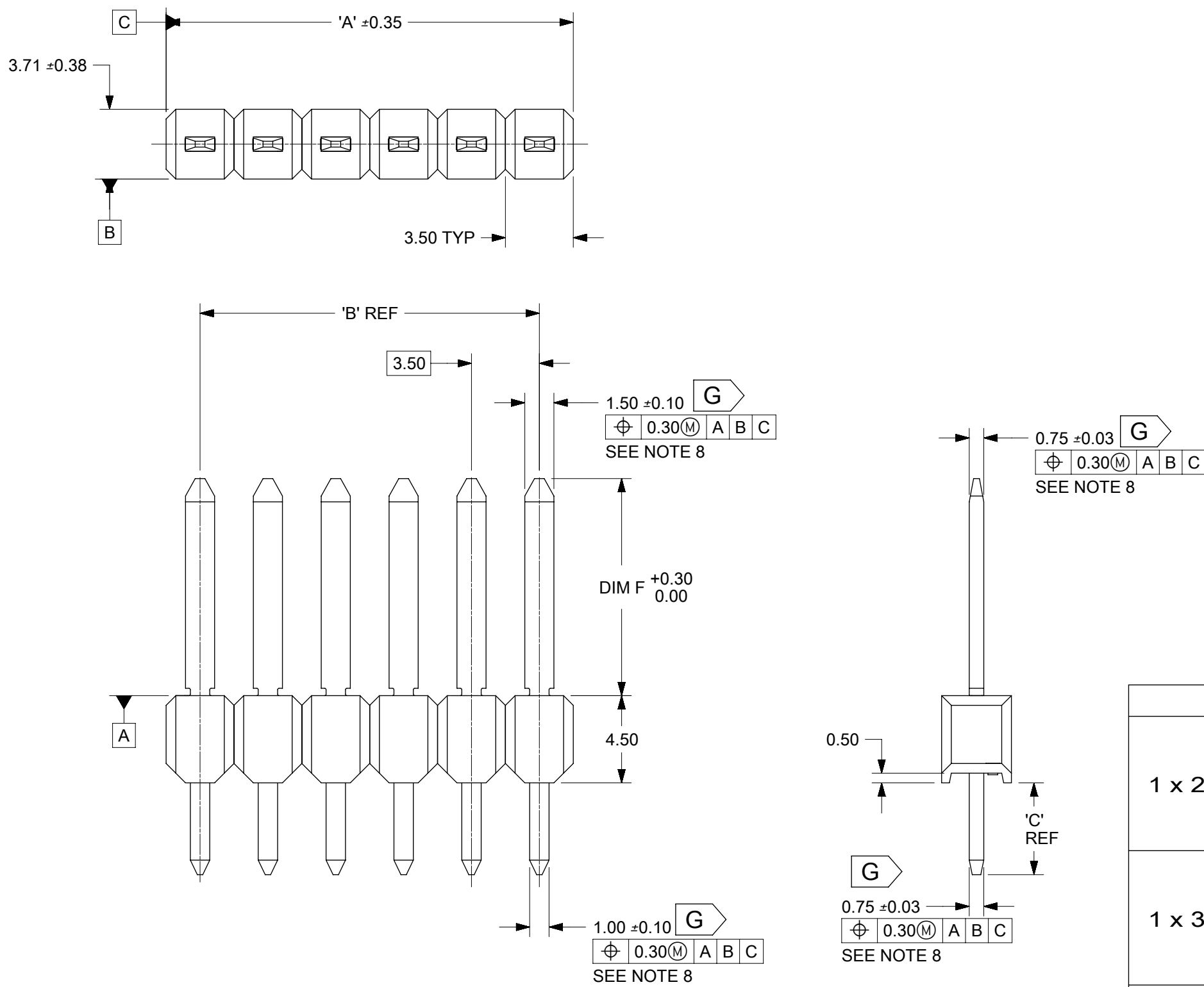


CONNECTOR ASSEMBLY

NOTES:

- ADHERENCE TO THE HEADER APPLICATION DETAILS IS IMPERATIVE TO ENSURE PROPER SHROUD SEALING AND CONTACT ALIGNMENT WHEN MATED WITH A MX150 FEMALE CONNECTOR.

SEE SHEET 1 IEC NO: UCP2011-3372 DRAWN BY: DROSCA 2011/06/17 CHECKED BY: JCOMERCI 2011/06/17 APPR: JCOMERCI 2011/06/17 REV: 1	QUALITY SYMBOLS	GENERAL TOLERANCES (UNLESS SPECIFIED)	DIMENSION STYLE	SCALE	DESIGN UNITS	THIRD ANGLE PROJECTION
	$\nabla=0$ $\nabla=0$	mm INCH 4 PLACES ± --- ± --- 3 PLACES ± --- ± --- 2 PLACES ± 0.10 ± --- 1 PLACE ± 0.2 ± --- ANGULAR ± 1/2°	MM ONLY	4:1	METRIC	
	DRAFT WHERE APPLICABLE MUST REMAIN WITHIN DIMENSIONS	DRAWN BY: DROSCA 2011/06/17 CHECKED BY: JCOMERCI 2011/06/17 APPROVED BY: JCOMERCI 2011/06/17 MATERIAL NO.: SEE SHEET 1 DOCUMENT NO.: AS-75900-104	APPLICATION SPEC 1X4 MX150 HEADER SHROUD DETAILS	MOLEX INCORPORATED	SHEET NO. 2 OF 2	
	THIS DRAWING CONTAINS INFORMATION THAT IS PROPRIETARY TO MOLEX INCORPORATED AND SHOULD NOT BE USED WITHOUT WRITTEN PERMISSION					



RECOMMENDED PCB LAYOUT

NOTES:

1. TERMINAL MAT'L: ALLOY C26000, CARTRIDGE BRASS
2. WAFER MAT'L: 30% GLASS FILLED LCP, 94V-0, COLOR BLACK.
3. TERMINAL PLATING:
 - OPTION 1 - 2.5µm MIN MATTE TIN OVERALL OVER 1.50µm MIN. NICKEL OVERALL
 - OPTION 2 - 1.50µm MIN. NICKEL OVERALL 4.00µm MIN SELECT MATTE TIN PC TAIL AREA 0.05µm MIN SELECT GOLD CONTACT AREA
 - OPTION 3 - 1.50µm MIN. NICKEL OVERALL 4.00µm MIN SELECT MATTE TIN PC TAIL AREA 0.50µm MIN. SELECT GOLD CONTACT AREA
 - OPTION 4 - 1.5µm MIN MATTE TIN OVERALL OVER 1.50µm MIN. NICKEL OVERALL
4. HEADER ASSEMBLIES ARE TUBE PACKAGED PER PK-36518-342.
5. MAXIMUM SKIVING ALLOWED: 1mm.
6. MAXIMUM CUT-OFF BURR ALLOWED: 0.30mm.
7. MAXIMUM DIG MARK ALLOWED: 0.45mm.
8. ALL THE POSITIONAL TOLERANCES SHOULD BE MEASURED AT TIP OF THE TERMINALS.
9. POSITION TOLERANCE OF PIN AT MATING SIDE SHOULD BE MAINTAINED AT 0.3MM IN THE FINAL MODULE BY CUSTOMER.
10. (G) DENOTES DIMENSIONS THAT CAN BE QUALIFIED WITH GAUGE
11. BLADE GEOMETRY DOES NOT CONFORM TO USCAR SPECIFICATIONS
12. PLEASE REFER USCAR WEBSITE FOR 1.5mm DIRECT CONNECT INTERFACE (SHROUD) DETAILS
13. PLEASE REFER SD-33472-0001 FOR 2 X 10 SHROUD DETAILS

CKT SIZE	PLATING OPTION	TOOLED		TOOLED		TOOLED		TOOLED		STATUS					
		MATERIAL NUMBER	"F" DIM	"C" DIM	MATERIAL NUMBER	"F" DIM	"C" DIM	MATERIAL NUMBER	"F" DIM	"C" DIM	"A" DIM	"B" DIM			
1 x 2	1	75757-0121	11.20	3.05	75757-0122	11.20	4.75	75757-0123	16.09	3.05	75757-0124	13.35	3.05	7	3.5
	2	75757-0221			75757-0222			75757-0223			75757-0224				
	3	75757-0321			75757-0322			75757-0323			75757-0324				
	4	75757-0421			75757-0422			75757-0423			75757-0424				
1 x 3	1	75757-0131	11.20	3.05	75757-0132	11.20	4.75	75757-0133	16.09	3.05	75757-0134	13.35	3.05	10.5	7.00
	2	75757-0231			75757-0232			75757-0233			75757-0234				
	3	75757-0331			75757-0332			75757-0333			75757-0334				
	4	75757-0431			75757-0432			75757-0433			75757-0434				
1 x 4	1	75757-0141	11.20	3.05	75757-0142	11.20	4.75	75757-0143	16.09	3.05	75757-0144	13.35	3.05	14.0	10.50
	2	75757-0241			75757-0242			75757-0243			75757-0244				
	3	75757-0341			75757-0342			75757-0343			75757-0344				
	4	75757-0441			75757-0442			75757-0443			75757-0444				
1 x 5	1	75757-0151	11.20	3.05	75757-0152	11.20	4.75	75757-0153	16.09	3.05	75757-0154	13.35	3.05	17.5	14.00
	2	75757-0251			75757-0252			75757-0253			75757-0254				
	3	75757-0351			75757-0352			75757-0353			75757-0354				
	4	75757-0451			75757-0452			75757-0453			75757-0454				
1 x 6	1	75757-0161	11.20	3.05	75757-0162	11.20	4.75	75757-0163	16.09	3.05	75757-0164	13.35	3.05	21.0	17.50
	2	75757-0261			75757-0262			75757-0263			75757-0264				
	3	75757-0361			75757-0362			75757-0363			75757-0364				
	4	75757-0461			75757-0462			75757-0463			75757-0464				

SYMBOLS	THIS DRAWING CONTAINS INFORMATION THAT IS PROPRIETARY TO MOLEX ELECTRONIC TECHNOLOGIES, LLC AND SHOULD NOT BE USED WITHOUT WRITTEN PERMISSION														
	DIMENSION UNITS	SCALE	CURRENT REV DESC:									 MX150 SINGLE ROW UNSHROUDED VERTICAL HEADER ASSEMBLY			
∇ = 0	mm	4:1	EC NO: 604928												
∇ = 0	GENERAL TOLERANCES (UNLESS SPECIFIED)		DRWN: RYELAVATTITH 2018/08/16									DOC TYPE			
∇ = 0	ANGULAR TOL ± 0.5°		CHK'D: MYOUNG01 2018/09/26									DOC PART			
∇ = 0	4 PLACES ±		APPR: RBAUMAN 2018/09/27									REVISION			
∇ = 0	3 PLACES ±		INITIAL REVISION:									SD-75757-010			
∇ = 0	2 PLACES ± 0.13		DRWN: TMCLELL 2006/01/27									PSD			
∇ = 0	1 PLACE ± 0.25		APPR: MBANAKIS 2006/02/03									001			
∇ = 0	0 PLACES ±		DRAWING									L3			
∇ = 0	DRAFT WHERE APPLICABLE MUST REMAIN WITHIN DIMENSIONS		THIRD ANGLE PROJECTION	DRAWING	SERIES	MATERIAL NUMBER	CUSTOMER	SHEET NUMBER							
∇ = 0				A2-SIZE	75757	SEE TABLE	GENERAL MARKET	1 OF 1							