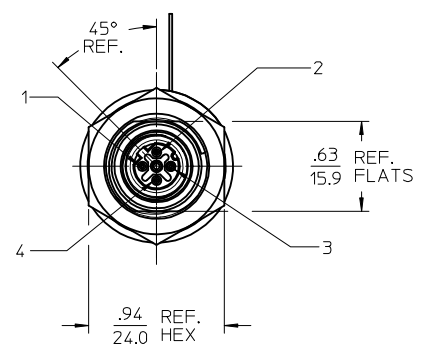
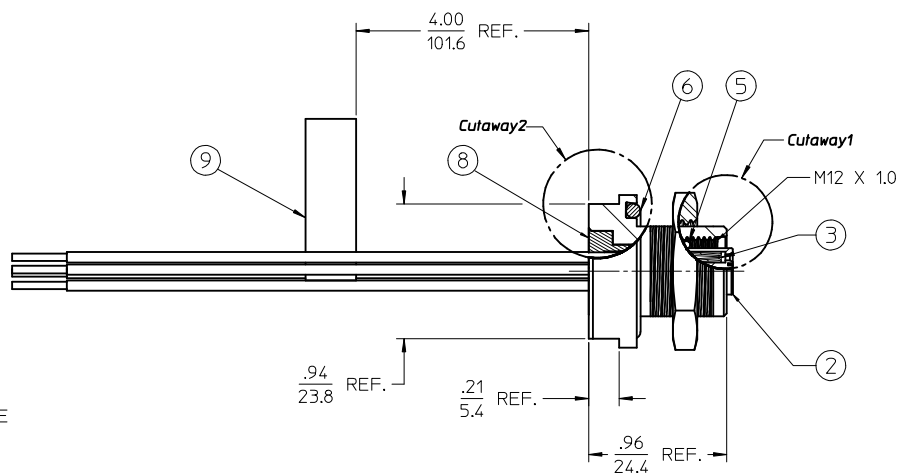
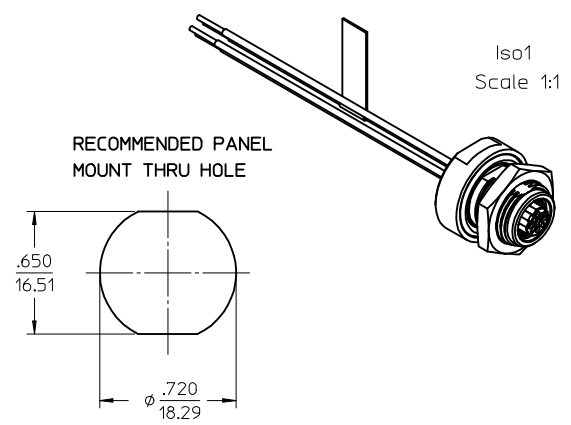
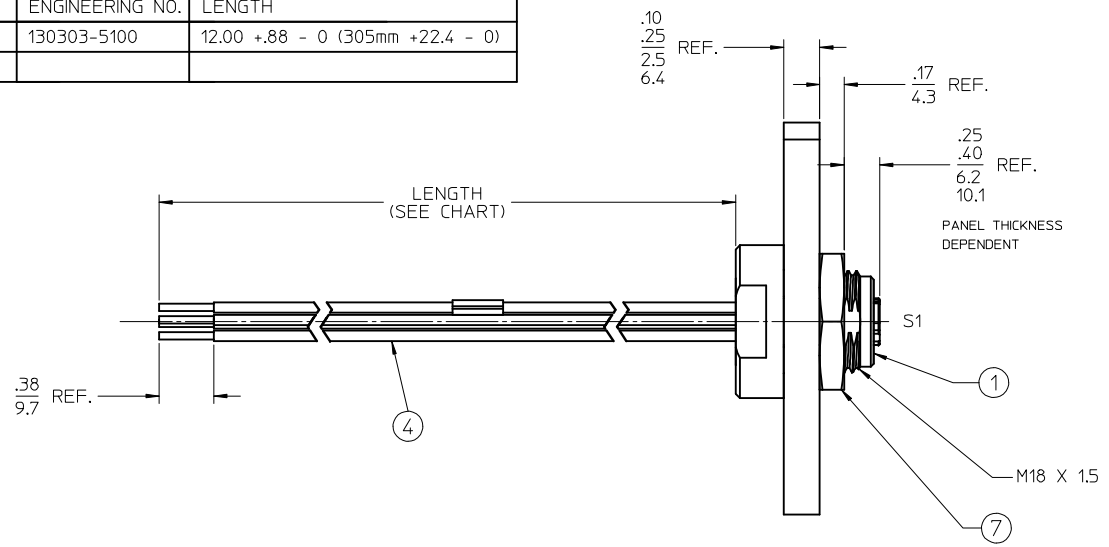


MATERIAL NO.	ENGINEERING NO.	LENGTH
1303035100	130303-5100	12.00 +.88 - 0 (305mm +22.4 - 0)



S1	
1	YELLOW
2	WHITE
3	ORANGE
4	BLUE

WIRE DIAGRAM

- NOTES:
1. MATERIALS: SEE TABLE
 2. FINISHES: SEE TABLE
 3. ELECTRICAL RATINGS:
VOLTAGE 125V
CURRENT: 15 AMPS
 4. PANEL NUT TORQUE: 10 FT.LBS.
 5. MATES WITH: MALE, M12,D-CODE
 6. ASSEMBLY IS TO BE RoHS COMPLIANT

ITEM	QTY.	DESCRIPTION	MATERIAL	FINISH
9	1	FLAG LABEL	VINYL	BLACK/YELLOW
8	1	POTTING MATERIAL	POLYUERETANE	BLUE
7	1	PANEL NUT, M18 x 1.5	STAINLESS STEEL	PASSIVATED
6	1	O-RING, PANEL SEAL	VITON	BROWN
5	1	O-RING, MATING SEAL	VITON	RED
4	4	WIRE, 22 AWG, SAE J1128	TLX	SEE WIRE DIAGRAM
3	4	CONTACT SOCKET, 22 AWG	Cu ALLOY	GOLD PLATED
2	1	INSULATOR, 4/C, D-CODE	NYLON	BLACK
1	1	RECEPTACLE SHELL	STAINLESS STEEL	PASSIVATED

REVISED NOTES
 EC NO: IPG2016-0711
 DRAWINGGUSTAFSON 2015/11/10
 CHKD:VOU 2015/12/22
 APPR:BMOODMAN 2015/12/02

QUALITY SYMBOLS ▽=0 ▽=0	GENERAL TOLERANCES (UNLESS SPECIFIED)	DIMENSION STYLE IN/MM	SCALE 1.5:1	DESIGN UNITS INCH	THIRD ANGLE PROJECTION														
	<table border="1"> <thead> <tr> <th></th> <th>mm</th> <th>INCH</th> </tr> </thead> <tbody> <tr> <td>4 PLACES ±</td> <td>---</td> <td>---</td> </tr> <tr> <td>3 PLACES ±</td> <td>---</td> <td>±.005</td> </tr> <tr> <td>2 PLACES ±</td> <td>0.13</td> <td>±.010</td> </tr> <tr> <td>1 PLACE ±</td> <td>0.3</td> <td>---</td> </tr> </tbody> </table>		mm	INCH	4 PLACES ±	---	---	3 PLACES ±	---	±.005	2 PLACES ±	0.13	±.010	1 PLACE ±	0.3	---	DRAWN BY RSTONE DATE 2010/05/11 CHECKED BY K. JOZWIK DATE 2010/05/17 APPROVED BY JFMURPHY DATE 2010/05/20	TITLE MIC RECEPTACLE ASSEMBLY HD, FEM, M12, D-CODE M18 MTG, WIRE LEADS	MOLEX INCORPORATED
	mm	INCH																	
4 PLACES ±	---	---																	
3 PLACES ±	---	±.005																	
2 PLACES ±	0.13	±.010																	
1 PLACE ±	0.3	---																	
DRAFT WHERE APPLICABLE MUST REMAIN WITHIN DIMENSIONS		SEE CHART	DOCUMENT NO. SD-130303-008	SHEET NO. 1 OF 1															
THIS DRAWING CONTAINS INFORMATION THAT IS PROPRIETARY TO MOLEX INCORPORATED AND SHOULD NOT BE USED WITHOUT WRITTEN PERMISSION																			