

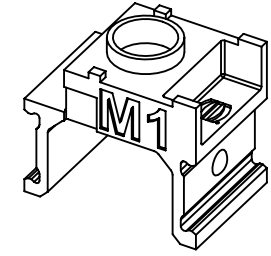
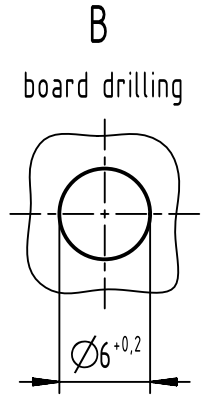
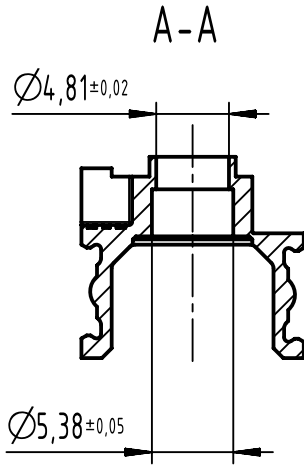
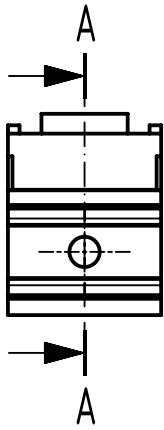
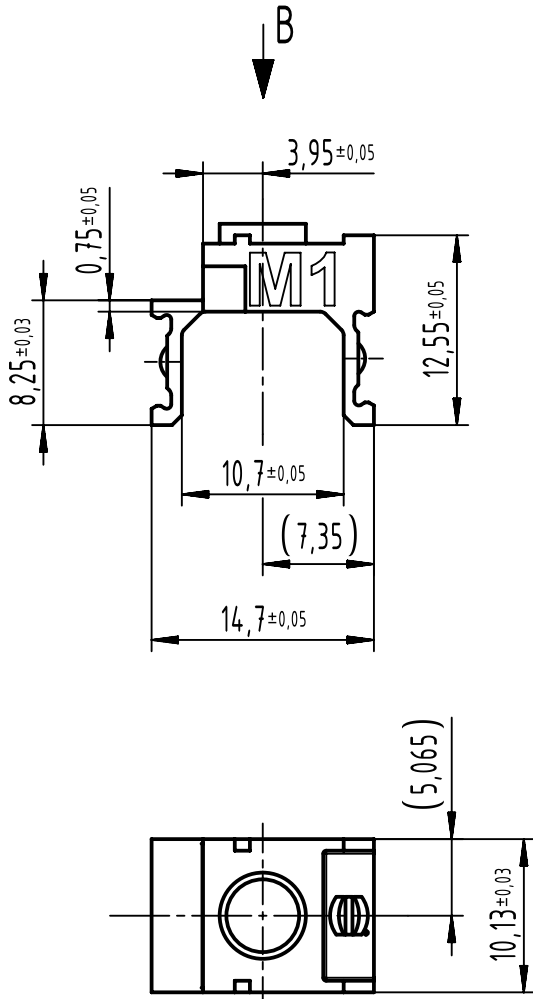
1 2 3 4 5 6


A

B

C

D



	All rights reserved Department EL PD	All Dimensions in mm Original Size DIN A4		Scale 2:1	Free size tol.	Ref. Sub. TB 02539010401 / ECM 500000180142 / 2020-09-25	
		Created by HASELOH	Inspected by WOLF	Standardisation 302077	Date 2021-02-05	State Final Release	
HARTING D-32339 Espelkamp		Title har-modular M1-module male straight				Doc-Key / ECM-Nr. 100833413/UGD/001/E 500000188824	
		Type TB	Number 02539010401		Rev. E	Page 1/1	