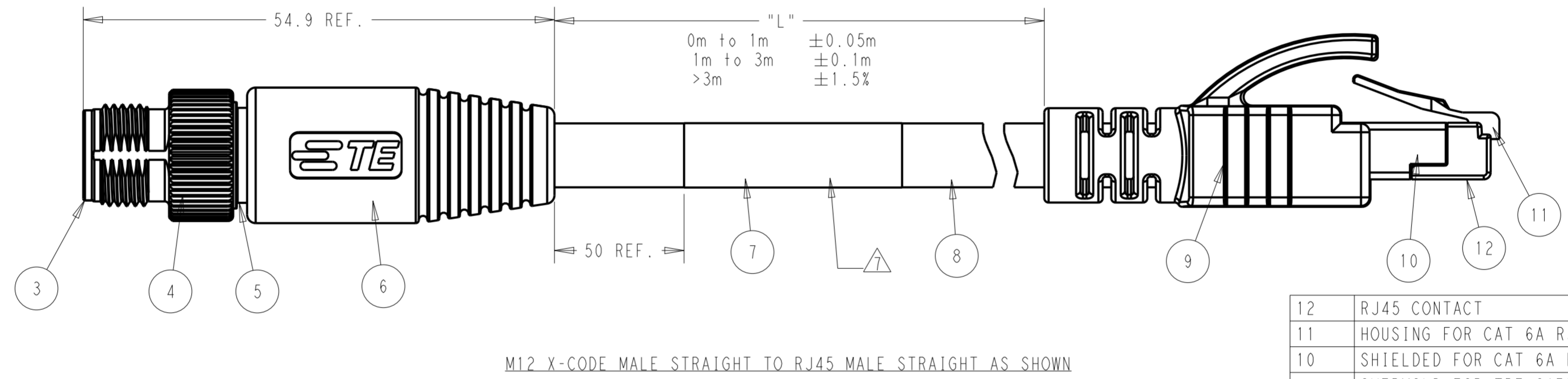
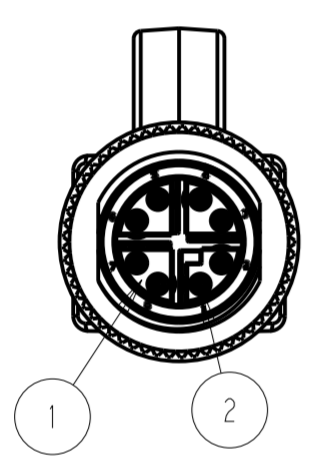
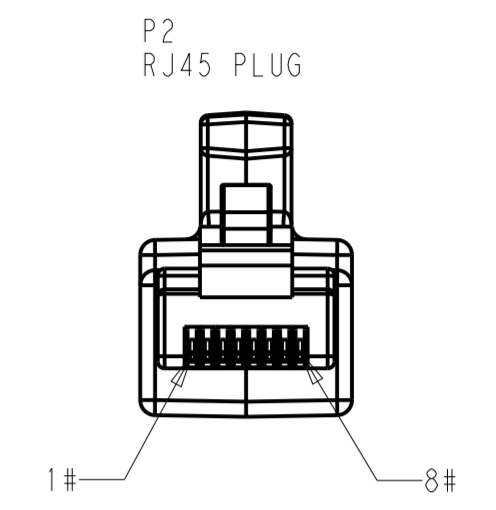
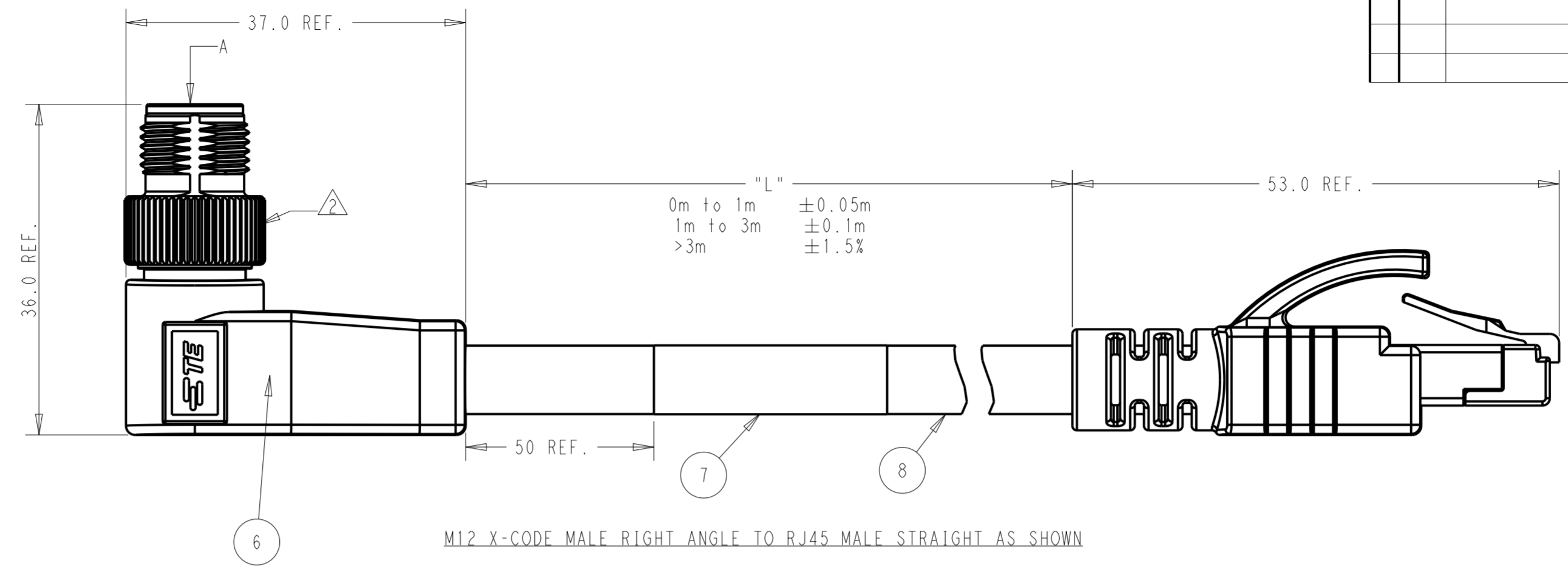
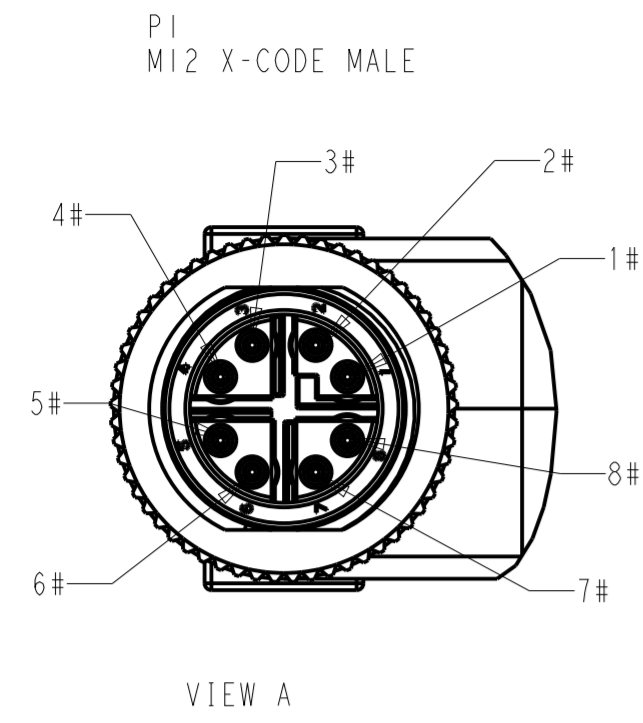
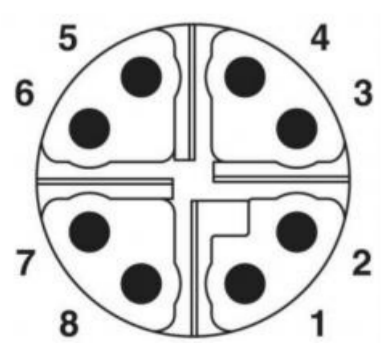


P	LTR	DESCRIPTION	DATE	DWN	APVD
A		INITIAL RELEASE	02DEC2020	G.W	C.W

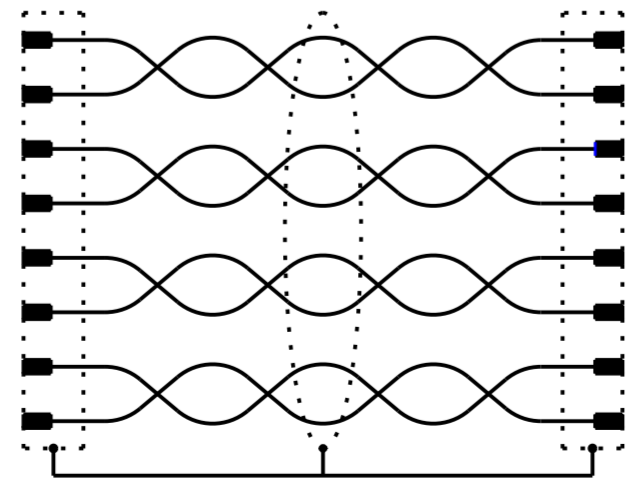


ITEM	DESCRIPTION	MATERIAL	COMMENT
12	RJ45 CONTACT	COPPER ALLOY	FLASH GOLD
11	HOUSING FOR CAT 6A RJ45	PC	-
10	SHIELDED FOR CAT 6A RJ45	COPPER ALLOY	-
9	OVERMOLD FOR TPE CABLE ASSY	TPU	BLACK
	OVERMOLD FOR PUR CABLE ASSY	TPU	BLACK
	OVERMOLD FOR PVC CABLE ASSY	PVC	BLACK
8	CABLE CAT6A TPE	TPE JACKET	TEAL
	CABLE CAT6A PUR	PUR JACKET	GREEN
	CABLE CAT6A PVC	PVC JACKET	GREEN
7	LABEL	-	-
6	OVERMOLD FOR TPE CABLE ASSY	TPU	BLACK
	OVERMOLD FOR PUR CABLE ASSY	TPU	BLACK
	OVERMOLD FOR PVC CABLE ASSY	PVC	BLACK
5	SHEATH BODY	ZINC ALLOY	TIN
4	COUPLING RING	ZINC ALLOY	NICKEL
3	CROSS SHIELDING	ZINC ALLOY	NICKEL
2	CONTACT	COPPER ALLOY	FLASH GOLD
1	INSERT HOUSING	NYLON	BLACK

M12 X-CODE MALE PIN ASSIGNMENT

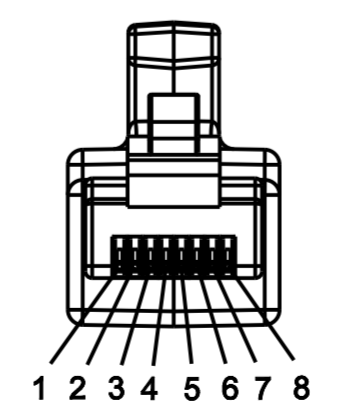


- M12 MALE
- WH / OG 白橙 - 1
 - OG 橙 - 2
 - WH / GN 白绿 - 3
 - GN 绿 - 4
 - WH / BN 白棕 - 5
 - BN 棕 - 6
 - W / BU 白蓝 - 7
 - BU 蓝 - 8



- RJ45 MALE
- 1 - WH / OG 白橙
 - 2 - OG 橙
 - 3 - WH / GN 白绿
 - 6 - GN 绿
 - 7 - WH / BN 白棕
 - 8 - BN 棕
 - 5 - WH / BU 白蓝
 - 4 - BU 蓝

RJ45 MALE PIN ASSIGNMENT



THIS DRAWING IS A CONTROLLED DOCUMENT.

DWN: GAVIN WANG 02NOV2020
CHK: KEVIN HUANG 02NOV2020
APVD: CHRIS WANG 02NOV2020

TE Connectivity

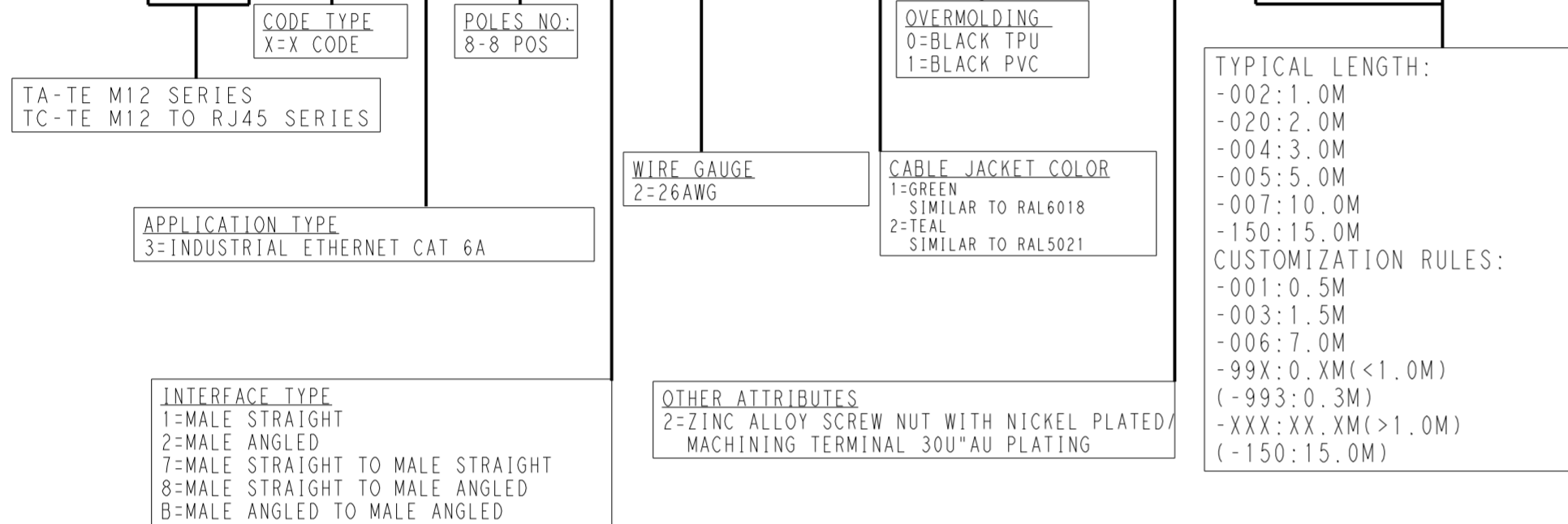
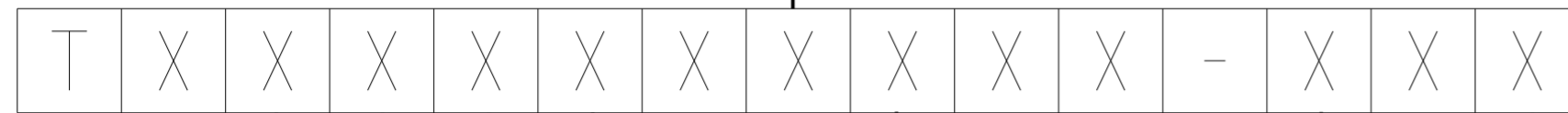
NAME: M12 X-CODE CABLE ASSY, SHIELDED X-CODE MALE TO RJ45 MALE

PRODUCT SPEC: 108-137538
APPLICATION SPEC: 114-137538

SCALE: 2:1 SHEET 1 OF 2 REV A

P	LTR	DESCRIPTION	DATE	DWN	APVD
		SEE SHEET 1			

TE PN CODING:



NOTE:

1. TECHNICAL DATA:SEE TABLE 1
- △. SEE TABLE 2, REFER TO LENGTH "L".
- △. -** :CABLE LENGTH, FOR EXAMPLE: -1.0M
4. CABLE ASSEMBLY TO BE PACKAGED AS PACKAGING SPECIFICATION.
5. TEMPERATURE RANGE:
RJ45 CONNECTOR : -25~60°C
X-CODE CONNECTOR : -25~85°C
CABLE: -25~80°C(MOVED); -40~80°C(FIXED);
6. TRANSMISSION CHARACTERISTICS: Ethernet CAT 6A, 10 Gbps
- △. LABEL CONTAINS: PN, DATE CODE...

注释:

1. 技术参数:参考表 1
- △. 参考表 2, 参照长度 "L"
- △. -** : 线缆长度 例如: 1.0M
4. 线缆组件按照包装规范包装;
5. 工作温度: RJ45: -25~60°C
X-CODE: -25~85°C
线缆: -25 ~80 (MOVED)
-40 ~80 (FIXED)
6. 传输特性: CAT 6A, 10Gbps
- △. 标签包含: 产品编号, 日期代码...

TABLE 2

<p>WIRES: 26AWGX4P WIRES COLOR: SEE ABOVE PIN ASSIGNMENT OD: APPROX. 7.45MM TEMPERATURE RAING: DRAG CHAIN TEST: 1.0MILLION CYCLES MIN. (R=75MM, V=2M/S, A=2M/S²) TORSION REST:3 MILLION MIN.</p>	<p>TYPICAL LENGTH: -002:1.0M -020:2.0M -004:3.0M -005:5.0M -007:10.0M -150:15.0M CUSTOMIZATION RULES: -001:0.5M -003:1.5M -006:7.0M -99X:0.XM(<1.0M) (-993:0.3M) -XXX:XX.XM(>1.0M) (-150:15.0M)</p>	M12带TPE线X型直型8针公插 转RJ45直型8针公插X.XM	RPC-M12X-8MS-**SH-RJ45-8MS-TPE [△]	8	TCX3872A202-XXX
		M12带TPE线X型弯型8针公插 转RJ45直型8针公插X.XM	RPC-M12X-8MR-**SH-RJ45-8MS-TPE [△]	8	TCX3882A202-XXX
		M12带PUR线X型直型8针公插 转RJ45直型8针公插X.XM	RPC-M12X-8MS-**SH-RJ45-8MS-PUR [△]	8	TCX38725102-XXX
		M12带PUR线X型弯型8针公插 转RJ45直型8针公插X.XM	RPC-M12X-8MR-**SH-RJ45-8MS-PUR [△]	8	TCX38825102-XXX
		M12带PVC线X型直型8针公插 转RJ45直型8针公插X.XM	RPC-M12X-8MS-**SH-RJ45-8MS-PVC [△]	8	TCX38721112-XXX
		M12带PVC线X型弯型8针公插 转RJ45直型8针公插X.XM	RPC-M12X-8MR-**SH-RJ45-8MS-PVC [△]	8	TCX38821112-XXX
<p>WIRES: 26AWGX4P WIRE COLOR: SEE ABOVE PIN ASSIGNMENT OD: APPROX. 6.7MM FOR 4P</p>					
CABLE CHARACTERISTIC 线缆特性	LENGTH "L" (M) 长度"L"(米)	DESCRIPTION 描述	TYPE 型号	POS.	TE PN TE料号

TABLE 1

TRANSMISSION	CAT6A
RATED VOLTAGE	30V MAX
RATED CURRENT	0.5A MAX
CONTACT RESISTANT	15mΩ Max
INSULATION WITHSTAND	100MΩ Min
PROTECTION	IP67 FOR X-CODE (MATED) IP20 FOR RJ45 (MATED)

THIS DRAWING IS A CONTROLLED DOCUMENT.

DIMENSIONS: mm

TOLERANCES UNLESS OTHERWISE SPECIFIED:

0 PLC	±	
1 PLC	±0.30	
2 PLC	±0.25	
3 PLC	±0.15	
4 PLC	±	
ANGLES	±	
FINISH		

APVD: CHRIS WANG 02NOV2020

PRODUCT SPEC: 108-137538

APPLICATION SPEC: 114-137538

WEIGHT: -

CUSTOMER DRAWING

SCALE: 1:1

SHEET: 2 OF 2

REV: A

TE Connectivity

M12 X-CODE CABLE ASSY, SHIELDED
X-CODE MALE TO RJ45 MALE

SIZE: A2

CAGE CODE: 00779

DRAWING NO: TCX38X2XXX2XXX

RESTRICTED TO