

## Product Datasheet

### SRX-SFP-1GE-T-C

#### Juniper® Compatible 10/100/1000Base-T SFP Copper Transceiver

Hot Pluggable, 1.25Gb/s, Cat-5 UTP Cable, 100m

#### FEATURES

- Up to 1.25Gb/s bi-directional data links
- 10/100/1000BASE-T auto negotiation
- Hot-pluggable SFP footprint
- Fully metallic enclosure for low EMI
- Low power dissipation
- Compact RJ-45 connector assembly
- Detailed product information in EEPROM
- +3.3V single power supply
- Access to physical layer IC via 2-wire serial bus
- 10/100/1000 BASE-T operation in host systems with SGMII interface
- Compliant with SFP MSA
- Compliant with IEEE Std 802.3TM-2002
- Compliant with FCC 47 CFR Part 15, Class B
- RoHS Compliant Products

#### APPLICATIONS

- 1.25 Gigabit Ethernet over Cat 5 cable
- Switch/Router to Switch/Router Link
- High speed I/O for file servers

#### DESCRIPTION

ATGBICS® Compatible SRX-SFP-1GE-T-C 10/100/1000BASE-T copper SFP transceiver is high-performance, cost-effective module compliant with the Gigabit Ethernet and 10/100/1000BASE-T standards as specified in IEEE 802.3-2002 and IEEE 802.3ab, which supporting 10/100/1000Mbps data-rate up to 100 meters reach over unshielded twisted-pair category 5 cable. The SRX-SFP-1GE-T-C supports 10/100/1000 Mbps full duplex datalinks with 5-level Pulse Amplitude Modulation (PAM) signals. All four pairs in the cable are used with symbol rate at 250Mbps on each pair. The SRX-SFP-1GE-T-C provides standard serial ID information compliant with SFP MSA, which can be accessed with address of A0h via the 2-wire serial CMOS EEPROM protocol. The physical IC can also be accessed via 2-wire serial bus at address ACh.

## Product Datasheet

### SFP to Host Connector Pin Out

Pin	Signal name	Description	MSA Notes
1	VEET	Transmitter ground (common with receiver ground)	
2	TFAULT	Transmitter Fault. Not supported	Note 1
3	TDIS	Transmitter Disable. PHY disabled on high or open	Note 2
4	MOD_DEF(2)	Module Definition 2. Data line for Serial ID.	Note 3
5	MOD_DEF(1)	Module Definition 1. Clock line for Serial ID.	Note 3
6	MOD_DEF(0)	Module Definition 0. Grounded within the module.	Note 3
7	Rate Select	No connection required	
8	LOS	Loss of Signal - High Indicates Loss of Signal	Note 4
9	VEER	Receiver Ground (common with transmitter ground)	
10	VEER	Receiver Ground (common with transmitter ground)	
11	VEER	Receiver Ground(common with transmitter ground)	
12	RD-	Receiver Inverted DATA out. AC Coupled	Note 5
13	RD+	Receiver Non-inverted DATA out. AC Coupled	Note 5
14	VEER	Receiver Ground (common with transmitter ground)	
15	VCCR	Receiver Power Supply	Note 6
16	VCCT	Transmitter Power Supply	Note 6
17	VEET	Transmitter Ground (Common with Receiver Ground)	
18	TD+	Transmitter Non-Inverted DATA in. AC Coupled.	Note 7
19	TD-	Transmitter Inverted DATA in. AC Coupled.	Note 7
20	VEET	Transmitter Ground (common with receiver ground)	

**Table 1. SFP to host connector pin assignments and descriptions**

#### Notes:

- TX Fault is not used and is always tied to ground through a 100-ohm resistor.
- TX Disable as described in the MSA is not applicable to the 1000BASE-T module, but is used for convenience as an input to reset the internal ASIC. This pin is pulled up within the module with a 4.7 KW resistor.
  - Low (0 – 0.8 V): Transceiver on
  - Between (0.8 V and 2.0 V): Undefined
  - High (2.0 – 3.465 V): Transceiver in reset state
  - Open: Transceiver in reset state
- Mod-Def 0,1,2. These are the module definition pins. They should be pulled up with a 4.7-10 KW resistor on the host board to a supply less than VCCT + 0.3 V or VCCR + 0.3 V.
  - Mod Def 0 is tied to ground through a 100-ohm resistor to indicate that the module is present.
  - Mod-Def 1 is clock line of two wire serial interface for optional serial ID
  - Mod-Def 2 is data line of two wire serial interface for optional serial ID
- LVTTL compatible with a maximum voltage of 2.5V. Not supported on HTSFP-24-111X

## Product Datasheet

5. RD-/+: These are the differential receiver outputs. They are ac coupled 100-ohm differential lines which should be terminated with 100-ohm differential at the user SerDes. The ac coupling is done inside the module and is thus not required on the host board. The voltage swing on these lines will be between 370 and 2000 mV differential (185 – 1000 mV single ended) when properly terminated. These levels are compatible with CML and LVPECL voltage swings.

6. VCCR and VCCT are the receiver and transmitter power supplies. They are defined as  $3.3\text{ V} \pm 5\%$  at the SFP connector pin. The maximum supply current is about 300mA, and the associated in-rush current will typically be no more than 30 mA above steady state after 500 nanoseconds.

7. TD-/+: These are the differential transmitter inputs. They are ac coupled differential lines with 100 W differential termination inside the module. The ac coupling is done inside the module and is thus not required on the host board. The inputs will accept differential swings of 500 – 2400 mV (250 – 1200 mV single ended), though it is recommended that values between 500 and 1200 mV differential (250 – 600 mV single ended) be used for best EMI performance. These levels are compatible with CML and LVPECL voltage swings.

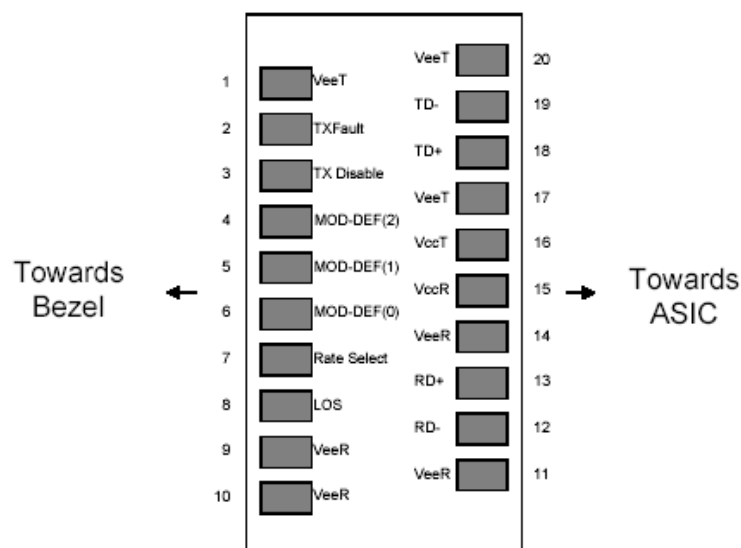


Figure 1. Diagram of host board connector block pin numbers and names

## Product Datasheet

### +3.3V Volt Electrical Power Interface

The SRX-SFP-1GE-T-C has an input voltage range of 3.3 V +/- 5%. The 4 V maximum voltage is not allowed for continuous operation.

Parameter	Symbol	Min.	Typical	Max.	Units	Notes/Conditions
<b>Supply Current</b>	I <sub>s</sub>		320	375	mA	1.2W max power over full range of voltage and temperature. See caution note below
<b>Input Voltage</b>	V <sub>cc</sub>	3.13	3.3	3.47	V	Referenced to GND
<b>Surge Current</b>	I <sub>surge</sub>		30		mA	Hot plug above steady state current. See caution note

**Caution: Power consumption and surge current are higher than the specified values in the SFP MSA**

**Table 2. +3.3 Volt electrical power interface**

### Low-Speed Signals

MOD\_DEF(1) (SCL) and MOD\_DEF(2) (SDA), are open drain CMOS signals. Both MOD\_DEF(1) and MOD\_DEF(2) must be pulled up to host\_Vcc.

Parameter	Symbol	Min.	Max.	Units	Notes/Conditions
<b>SFP Output LOW</b>	VOL	0	0.5	V	4.7k to 10k pull-up to host_Vcc.
<b>SFP Output HIGH</b>	VOH	host_Vcc - 0.5	host_Vcc + 0.3	V	4.7k to 10k pull-up to host_Vcc.
<b>SFP Input LOW</b>	VIL	0	0.8	V	4.7k to 10k pull-up to Vcc.
<b>SFP Input HIGH</b>		2	Vcc + 0.3 V	V	4.7k to 10k pull-up to Vcc.

### High-Speed Electrical Interface

Transmission Line-SFP						
Parameter	Symbol	Min.	Typical	Max.	Units	Notes/Conditions
<b>Line Frequency</b>	f <sub>L</sub>		125		MHz	5-level encoding, per IEEE 802.3
<b>Tx Output Impedance</b>	Z <sub>out,TX</sub>		100		Ohm	Differential
<b>Rx Input Impedance</b>	Z <sub>in,RX</sub>		100		Ohm	Differential

**Table 4. High-speed electrical interface, transmission line-SFP**

## Product Datasheet

Host-SFP						
Parameter	Symbol	Min.	Typical	Max.	Units	Notes/Conditions
Single ended data input swing	Vinsing	250		1200	mV	Single ended
Single ended data output swing	Voutsing	350	100	800	mV	Single ended
Rise/Fall Time	Tr,Tf		175		psec	20%-80%
Tx Input Impedance	Zin		50		Ohm	Single ended
Rx Output Impedance	Zout		50		Ohm	Single ended

**Table 5. High-speed electrical interface, host-SFP**

### General Specifications

Parameter	Symbol	Min.	Typical	Max.	Units	Notes/Conditions
Data Rate	BR	10		1,000	Mb/s	IEEE 802.3 compatible.
Cable Length	L			100	m	Category 5 UTP. BER <10-12

**Table 6. General specifications**

Notes:

1. Clock tolerance is +/- 50 ppm
2. By default, the SRX-SFP-1GE-T-C is a full duplex device in preferred master mode
3. Automatic crossover detection is enabled. External crossover cable is not required
4. 10/100/1000 BASE-T operation requires the host system to have an SGMII interface with no clocks, with a SERDES that does not support SGMII, the module will operate at 1000BASE-T only.

### Environmental Specifications

The SRX-SFP-1GE-T-C has a commercial operating range from 0°C to +70°C case temperature as specified below.

Parameter	Symbol	Min.	Typical	Max.	Units	Notes/Conditions
Operating Temperature	Top	0		70	°C	Case temperature
Storage Temperature	Tsto	-40		100	°C	Ambient temperature

## Product Datasheet

### Serial ID Memory Contents:

Data Address	Length (Byte)	Name of Length	Description and Contents
<b>Base ID Fields</b>			
0	1	Identifier	Type of Serial transceiver (03h=SFP)
1	1	Reserved	Extended identifier of type serial transceiver (04h)
2	1	Connector	Code of optical connector type (22=RJ45)
3-10	8	Transceiver	10/100/1000BASE-T
11	1	Encoding	8B10B (01h)
12	1	BR,Nominal	Nominal baud rate, unit of 100Mbps
13	1	Reserved	(0000h)
14	1	Length(9um,km)	Link length supported for 9/125um fiber, units of km
15	1	Length(9um)	Link length supported for 9/125um fiber, units of 100m
16	1	Length(50um)	Link length supported for 50/125um fiber, units of 10m
17	1	Length(62.5um)	Link length supported for 62.5/125um fiber, units of 10m
18	1	Length(Copper)	Link length supported for copper, units of meters
19	1	Reserved	
20-35	16	Vendor Name	SFP vendor name: ATGBICS
36	1	Reserved	
37-39	3	Vendor OUI	SFP transceiver vendor OUI ID
40-55	16	Vendor PN	Part Number: "SRX-SFP-1GE-T-C" (ASCII)
56-59	4	Vendor rev	Revision level for part number
60-61	2	Wavelength	Laser wavelength
62	1	Reserved	
63	1	CCID	Least significant byte of sum of data in address 0-62
<b>Extended ID Fields</b>			
64-65	2	Option	Indicates which optical SFP signals are implemented(001Ah = LOS, TX_FAULT, TX_DISABLE all supported)
66	1	BR, max	Upper bit rate margin, units of %
67	1	BR, min	Lower bit rate margin, units of %
68-83	16	Vendor SN	Serial number (ASCII)
84-91	8	Date code	Manufacturing date code
92-94	3	Reserved	
95	1	CCEX	Check code for the extended ID Fields (addresses 64 to 94)
<b>Vendor Specific ID Fields</b>			
96-127	32	Readable	Vendor specific date, read only

## Product Datasheet

### Mechanical drawing

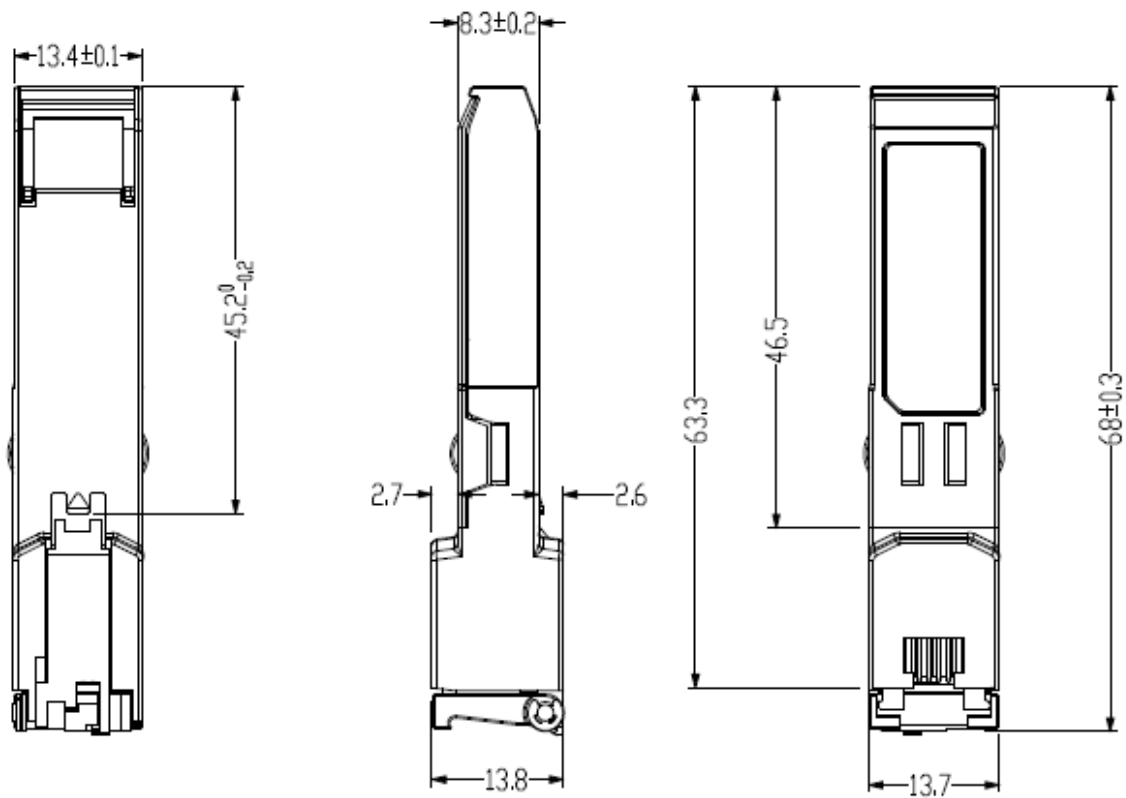


Figure 2. Mechanical Dimensions of Transceiver