

4

3

2

1

THIS DRAWING IS UNPUBLISHED.

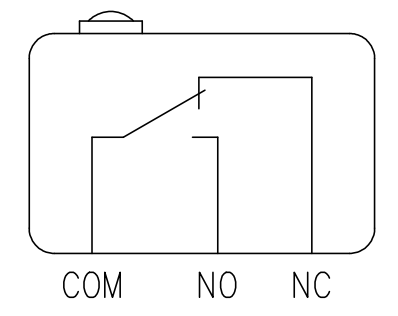
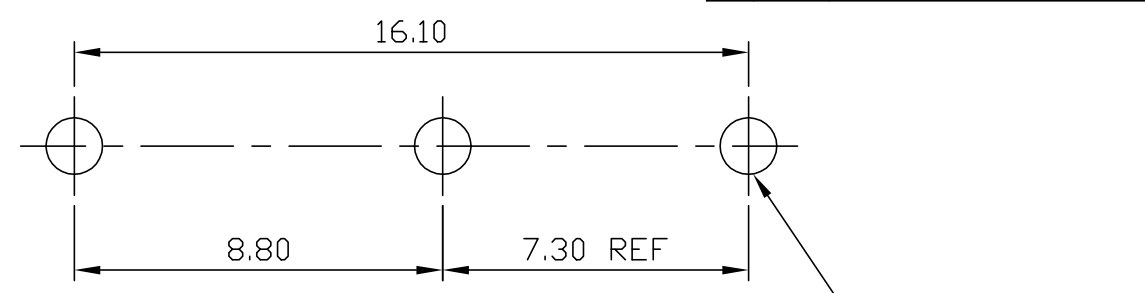
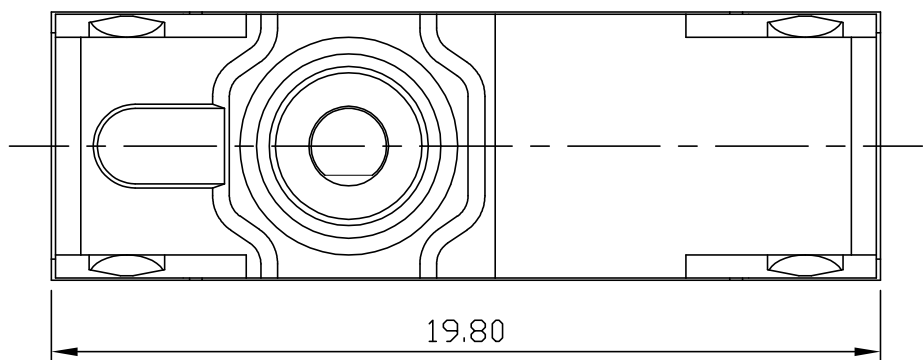
RELEASED FOR PUBLICATION

REVISIONS

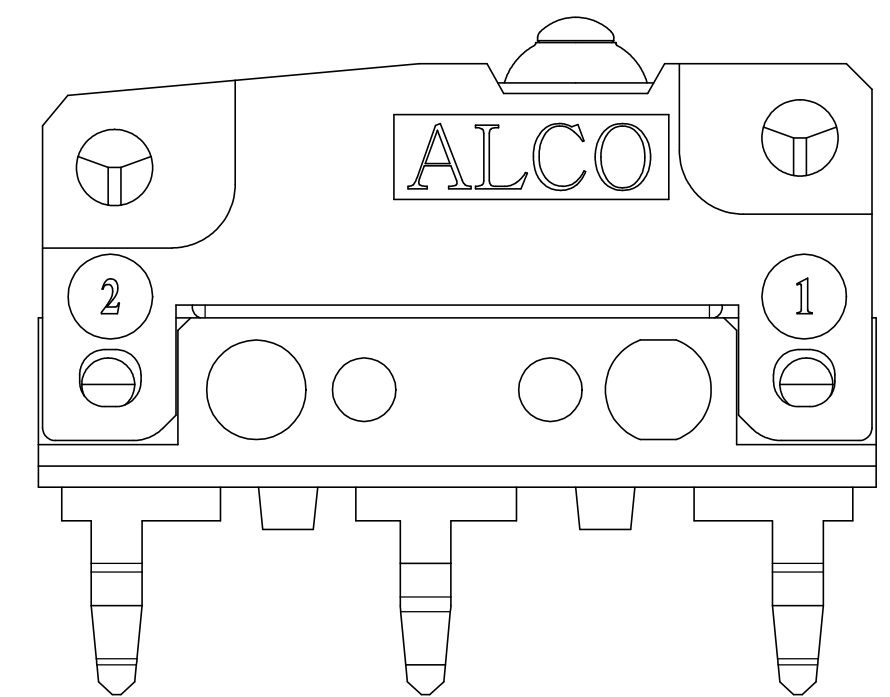
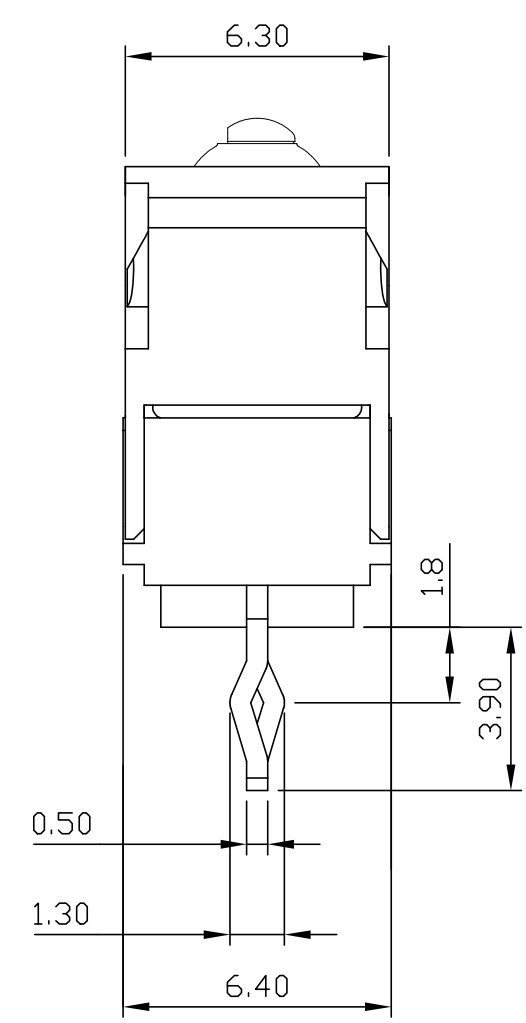
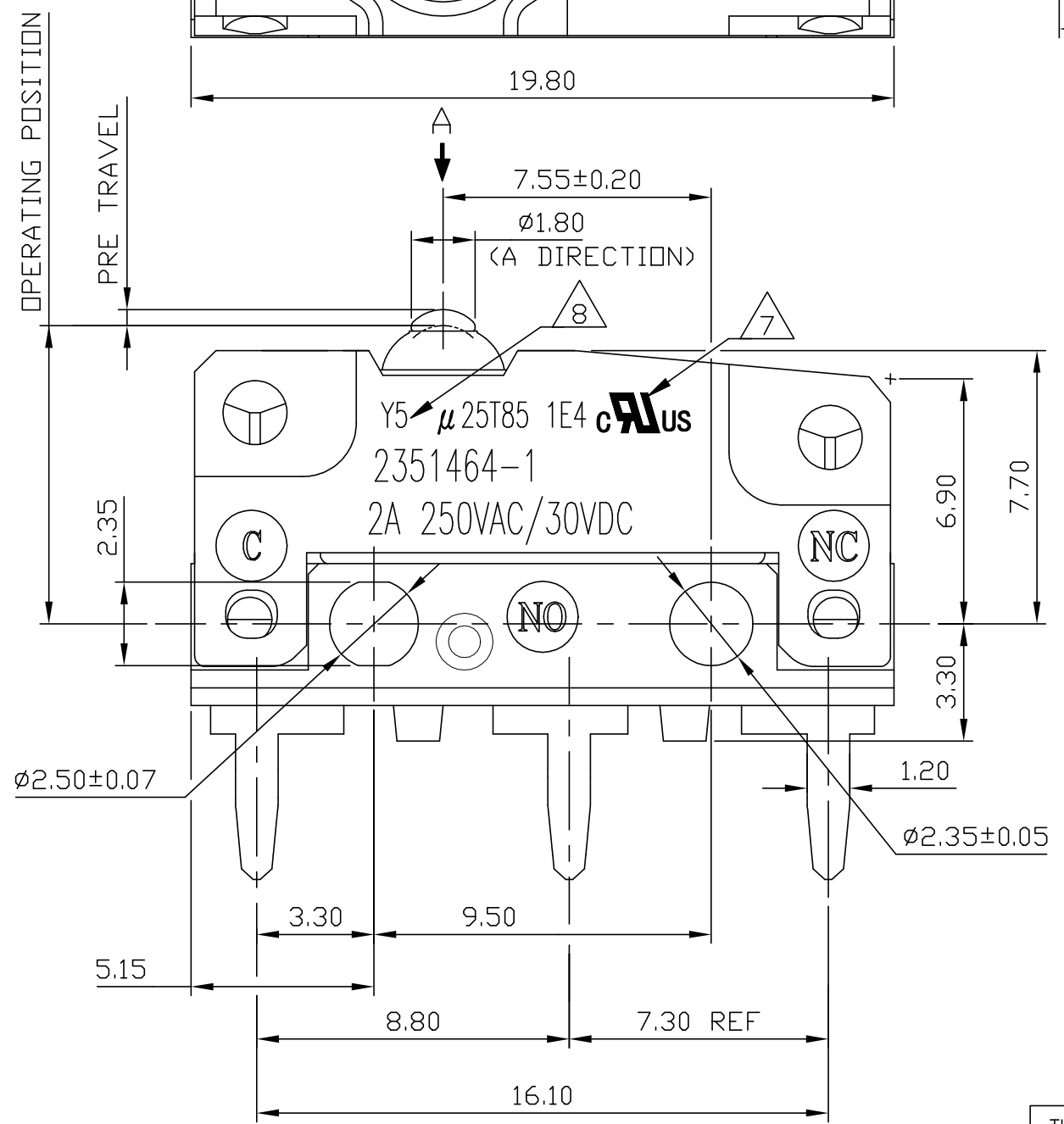
© COPYRIGHT - TE Connectivity Ltd.

ALL RIGHTS RESERVED.

P	LTR	DESCRIPTION	DATE	DWN	APVD
1		NEW DRAWING	14MAY2019	GCM	AS



Contact Form



THIS DRAWING IS A CONTROLLED DOCUMENT.		DWN	GANESH C M		13MAY2019
DIMENSIONS: mm		CHK	ALEXANDER SHARPE		13MAY2019
TOLERANCES UNLESS OTHERWISE SPECIFIED:		APVD	ALEXANDER SHARPE		13MAY2019
0 PLC ± -		NAME			
1 PLC ± 0.4		SWITCH, SUBMINIATURE SLD SNAP ACTION, PIN PLUNGER, PCB TERMINALS			
2 PLC ± 0.4		SIZE			
3 PLC ± -		CAGE CODE			
4 PLC ± -		DRAWING NO			
ANGLES ± -		RESTRICTED TO			
FINISH		A3 00779 C=2351464			
MATERIAL		CUSTOMER DRAWING			
		SCALE		SHEET	
		NTS		1 of 2	
				REV 1	

PRELIMINARY

THIS DRAWING IS UNPUBLISHED. RELEASED FOR PUBLICATION - , - .
 © COPYRIGHT - TE Connectivity Ltd. ALL RIGHTS RESERVED.

REVISIONS					
P	LTR	DESCRIPTION	DATE	DWN	APVD
-	-	SEE SHEET 1	-	-	-

NOTES:

- OPERATING CHARACTERISTICS ARE FOR OPERATION IN THE A DIRECTION ↓
- PACKAGING:
SWITCHES ARE BULK PACKAGED IN BAGS, 100 SWITCHES PER BAG, 10 BAGS PER BOX.
- COMPLIANCE:
THE CURRENT STATEMENT OF COMPLIANCE IS AVAILABLE AT TE.COM.
- MATERIAL AND FINISH:
COVER: THERMOPLASTIC, BLACK
BASE: THERMOPLASTIC, BLACK
BUTTON: THERMOPLASTIC, BLACK
CONTACTS: SILVER ALLOY, SILVER PLATED
TERMINAL: BRASS, SILVER PLATED
SPRING PLATE: COPPER ALLOY
SEALING CAP: RUBBER, BLACK
SEALING GASKETS: RUBBER, BLACK
- SPECIFICATIONS:
CURRENT RATING: SEE TABLE
CONTACT RESISTANCE: 50mΩ MAXIMUM, INITIAL AT FREE POSITION AND TOTAL TRAVEL POSITION
INSULATION RESISTANCE: 100MΩ MINIMUM, @ 500 V DC, 1 MINUTE, INITIAL.
DIELECTRIC WITHSTANDING VOLTAGE, BETWEEN TERMINALS OF THE SAME POLARITY: 1000 V AC, 50 TO 60 Hz FOR 1 MINUTE
DIELECTRIC WITHSTANDING VOLTAGE, BETWEEN EACH TERMINAL AND GROUND: 1500 V AC, 50 TO 60 Hz FOR 1 MINUTE
DIELECTRIC WITHSTANDING VOLTAGE, BETWEEN EACH TERMINAL AND NON-CURRENT CARRYING METAL PART: 1500V AC, 50 TO 60 Hz FOR 1MINUTE.
INGRESS PROTECTION: IP67
- SOLDER PROCESS:
MANUAL SOLDERING: 350°C, 3 SECONDS MAXIMUM, 30 TO 40 WATTS. PREVENT SOLDER AND FLUX CONTACTING THE SWITCH BODY.
DO NOT OPERATE THE SWITCH DURING THE FIRST MINUTE AFTER SOLDERING.
WAVE SOLDERING: 260°C, 5 SECONDS MAXIMUM. PREVENT SOLDER AND FLUX CONTACTING THE SWITCH BODY.
DO NOT OPERATE THE SWITCH DURING THE FIRST MINUTE AFTER SOLDERING.

△ CERTIFICATION: **cULus**

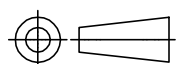
△ DATE CODE: ① ②

①	MONTH	1 TO 9,X,Y,Z (X=10, Y=11, Z=12)
②	YEAR	0 TO 9,(EX:7=2017)

SILVER	SPDT	1,000,000 CYCLES, MINIMUM	50,000 CYCLES, MINIMUM	-40 TO +85°C/85% RELATIVE HUMIDITY MAXIMUM	-25 TO +85°C/60% RELATIVE HUMIDITY MAXIMUM	0.15 MAXIMUM	0.4 MINIMUM	0.6 MAXIMUM	8.4±0.3	20 gf MINIMUM	183 gf MAXIMUM	2A, 30VDC 2A, 250VAC	MOMENTARY	PCB SOLDER POST	SAJSX2XPP0180SDTUPQ	2351464-1
CONTACT FINISH	CONTACT FORM	MECHANICAL LIFE	ELECTRICAL LIFE	STORAGE TEMPERATURE RANGE/HUMIDITY RANGE	OPERATING TEMPERATURE RANGE/HUMIDITY RANGE	MOVEMENT DIFFERENTIAL	OVERTRAVEL	PRETRAVEL	OPERATING POSITION	RELEASE FORCE	OPERATING FORCE	CONTACT RATING,	CONTACT CONFIGURATION	TERMINAL TYPE	TE SMART PART NUMBER	PART NUMBER

THIS DRAWING IS A CONTROLLED DOCUMENT.

DIMENSIONS: mm



TOLERANCES UNLESS OTHERWISE SPECIFIED:

0 PLC	± -
1 PLC	± 0.4
2 PLC	± 0.4
3 PLC	± -
4 PLC	± -
ANGLES	± -

MATERIAL -

FINISH -

DWN	GANESH C M	13MAY2019
CHK	ALEXANDER SHARPE	13MAY2019
APVD	ALEXANDER SHARPE	13MAY2019
PRODUCT SPEC	-	-
APPLICATION SPEC	-	-
WEIGHT	-	-

TE TE Connectivity Ltd.

NAME SWITCH, SUBMINIATURE SLD SNAP ACTION, PIN PLUNGER, PCB TERMINALS

SIZE	CAGE CODE	DRAWING NO	RESTRICTED TO
A3	00779	©=2351464	-

CUSTOMER DRAWING	SCALE	SHEET	REV
-	NTS	2 of 2	1

PRELIMINARY