

# Customer Information Sheet

DRAWING No.: S7181-45R

IF IN DOUBT - ASK

©

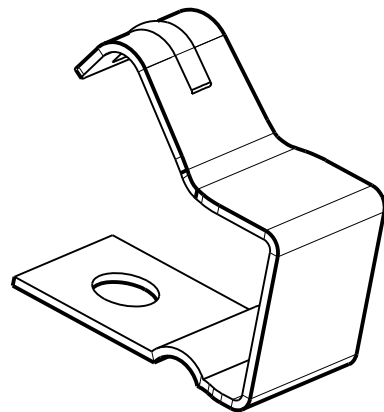
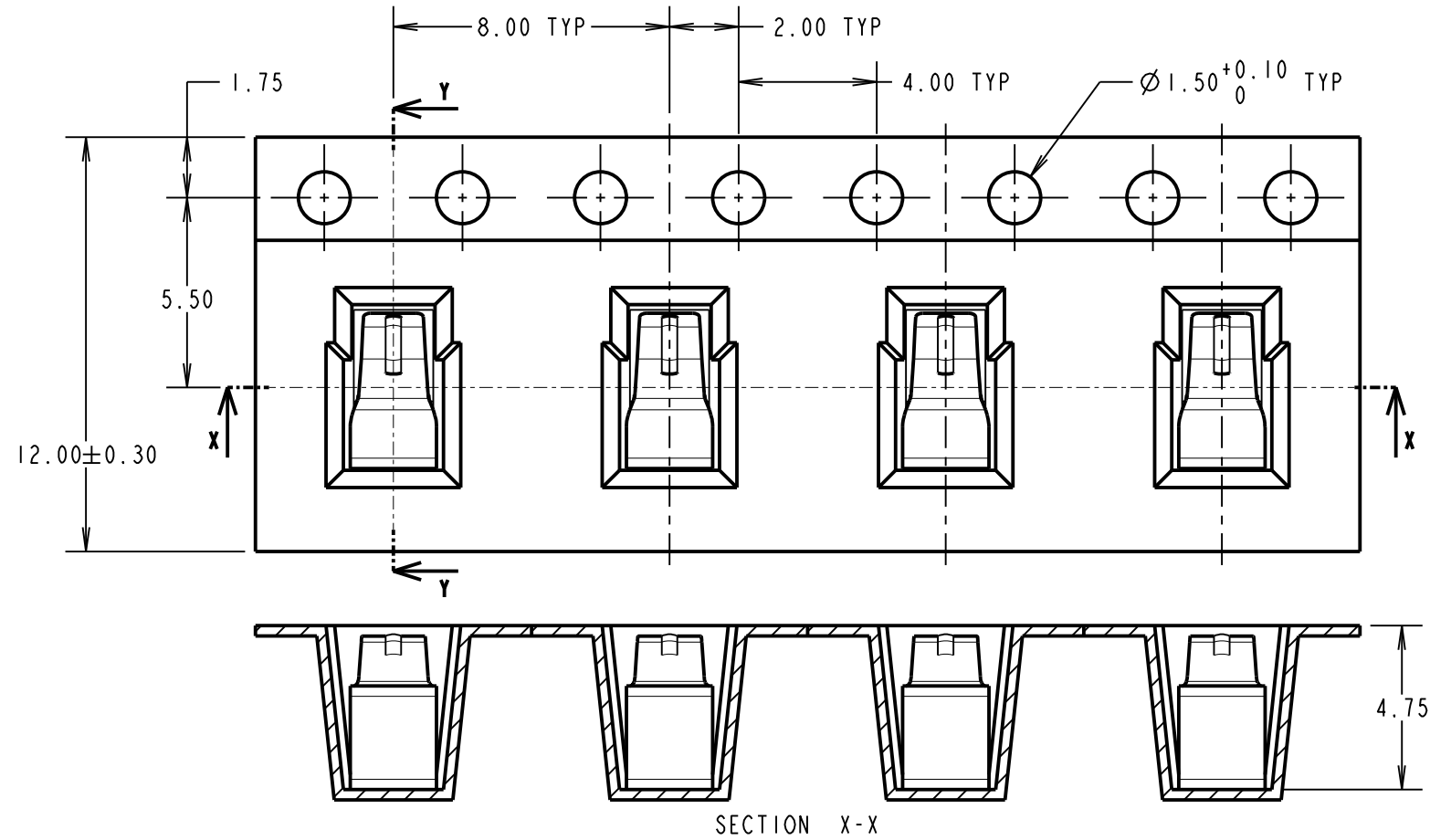
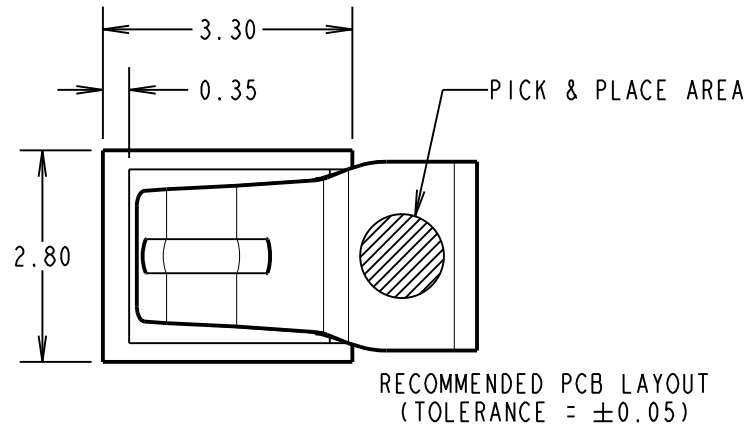
NOT TO SCALE

THIRD ANGLE PROJECTION

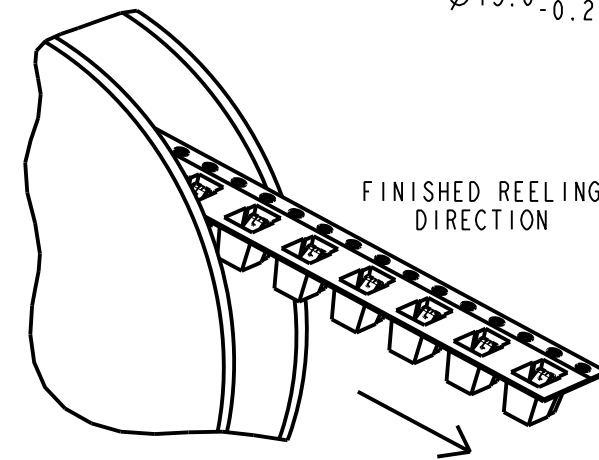
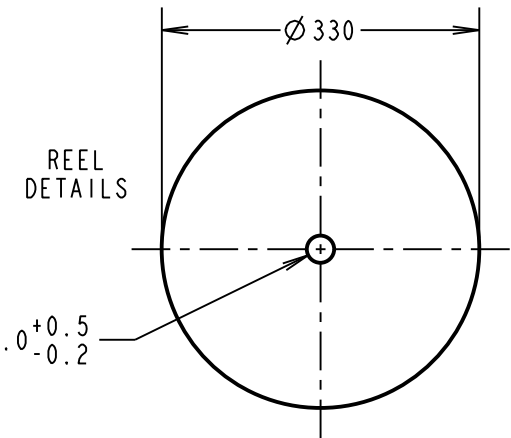
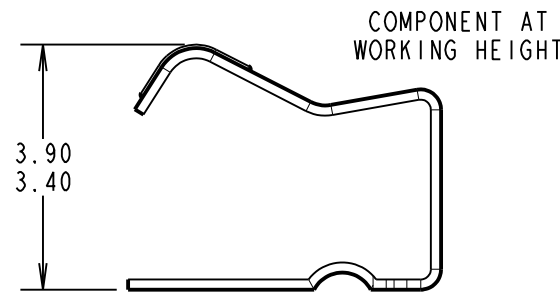
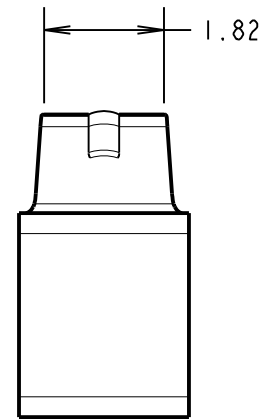
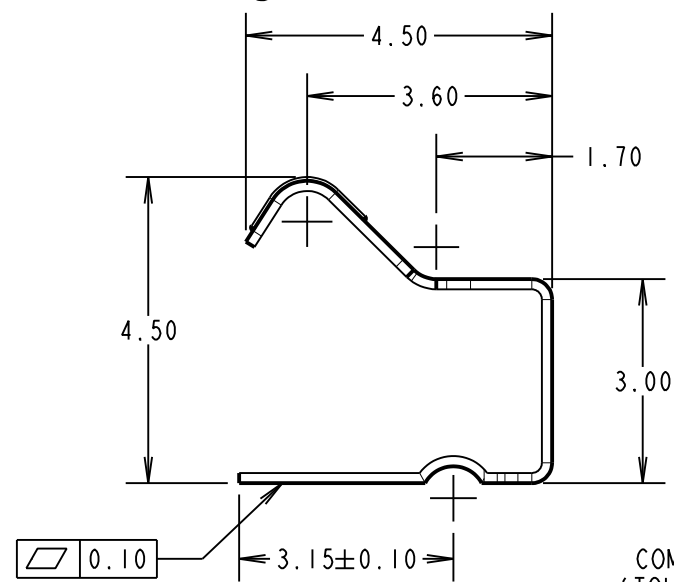
ALL DIMENSIONS IN mm

**NOTES:**

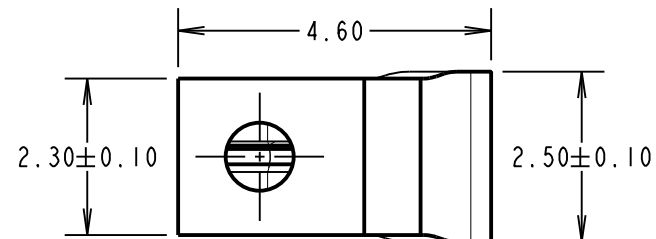
1. QUANTITY PER REEL = 1,700.
2. THIS PRODUCT IS TAPED AND REELED IN GENERAL ACCORDANCE WITH EIA-481-2 (ELECTRONICS INDUSTRIES ASSOCIATION).



**SPECIFICATION:**  
 MATERIAL = PHOSPHOR BRONZE, 0.15mm THICK  
 FINISH = GOLD FLASH OVER 1.25µm MIN NICKEL  
 ELECTRICAL:  
 CONTACT RESISTANCE = 50mΩ MAX  
 CURRENT RATING = 1A  
 MECHANICAL:  
 DURABILITY = 10,000 CYCLES  
 MINIMUM FORCE AT WORKING HEIGHT = 0.49N  
 ENVIRONMENTAL:  
 OPERATING TEMPERATURE = -20°C TO +70°C



MGP	4	08.04.20	21839
NAME	ISS.	DATE	C/NOTE
APPROVED: MGP			
CHECKED: RA			
DRAWN: S.BENNETT			
CUSTOMER REF.:			
ASSEMBLY DRG:			



 www.harwin.com technical@harwin.com	THIS DRAWING AND ANY INFORMATION OR DESCRIPTIVE MATTER SET OUT HEREON ARE CONFIDENTIAL AND COPYRIGHT PROPERTY OF THE HARWIN GROUP AND MUST NOT BE DISCLOSED, LOANED, COPIED OR USED FOR MANUFACTURING, TENDERING OR FOR ANY OTHER PURPOSE WITHOUT THEIR WRITTEN PERMISSION.	TOLERANCES X. = ±1mm X.X = ±0.50mm X.XX = ±0.20mm X.XXX = ±0.01mm ANGLES = ±5° UNLESS STATED	MATERIAL: SEE ABOVE FINISH: SEE ABOVE S/AREA: mm <sup>2</sup>	TITLE: SMT SPRING CONTACT (4.50mm HIGH) IN TAPE AND REEL DRAWING NUMBER: S7181-45R	SHT 2 OF 2
		ASSEMBLY DRG:			