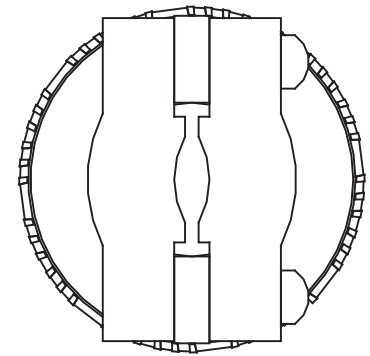
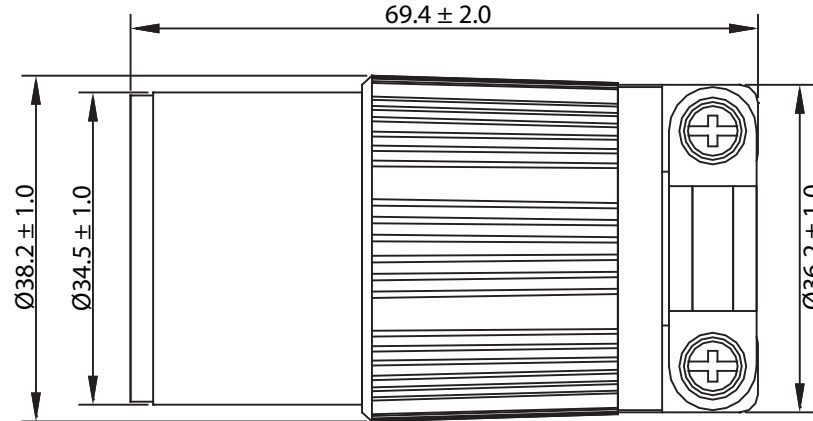
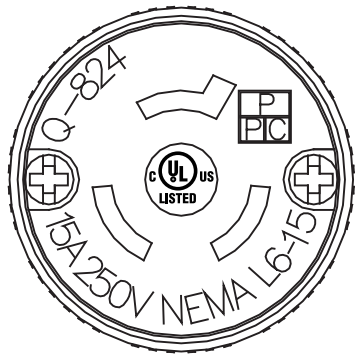


THESE DRAWINGS ARE THE PROPERTY OF QUALTEK ELECTRONICS AND NOT TO BE REPRODUCED FOR OR COMMUNICATED TO A THIRD PARTY WITHOUT THE EXPRESS WRITTEN PERMISSION OF AN OFFICER OF QUALTEK ELECTRONICS.

REVISION			
REV.	DESCRIPTION	DATE	APPROVED



NOTES:

1. RATING: 15A 250VAC
2. COLOR: BLACK
3. CORD CLAMP: ACCEPTS 18/3 - 12/3 CABLE
4. TERMINAL I.D.:
  - A. GROUND TERMINAL SCREW: GREEN AND MARKED "GR"
  - B. LINE WIRES TERMINAL SCREWS: BLACK
5. APPROVALS: UL/cUL LISTED: E139592
6. ROHS COMPLIANT

**CONTROLLED**

Dim range (mm)		Tolerance +/- (mm)	Qualtek Electronics Corp. PPC DIVISION		
0-1		0.15	Part Number: Q-824		RoHS Compliant
1-6		0.20	Description: NEMA L6-15R TWIST-LOCK DEVICE		
6-18		0.30	UNIT: mm		
18-50		0.50	Drawn / Date	Checked / Date	Approved / Date
50-120		0.70	R.Nuti 08-25-09	08-25-09	LY / 08-25-09
120-250		0.90			
250-500		1.20			