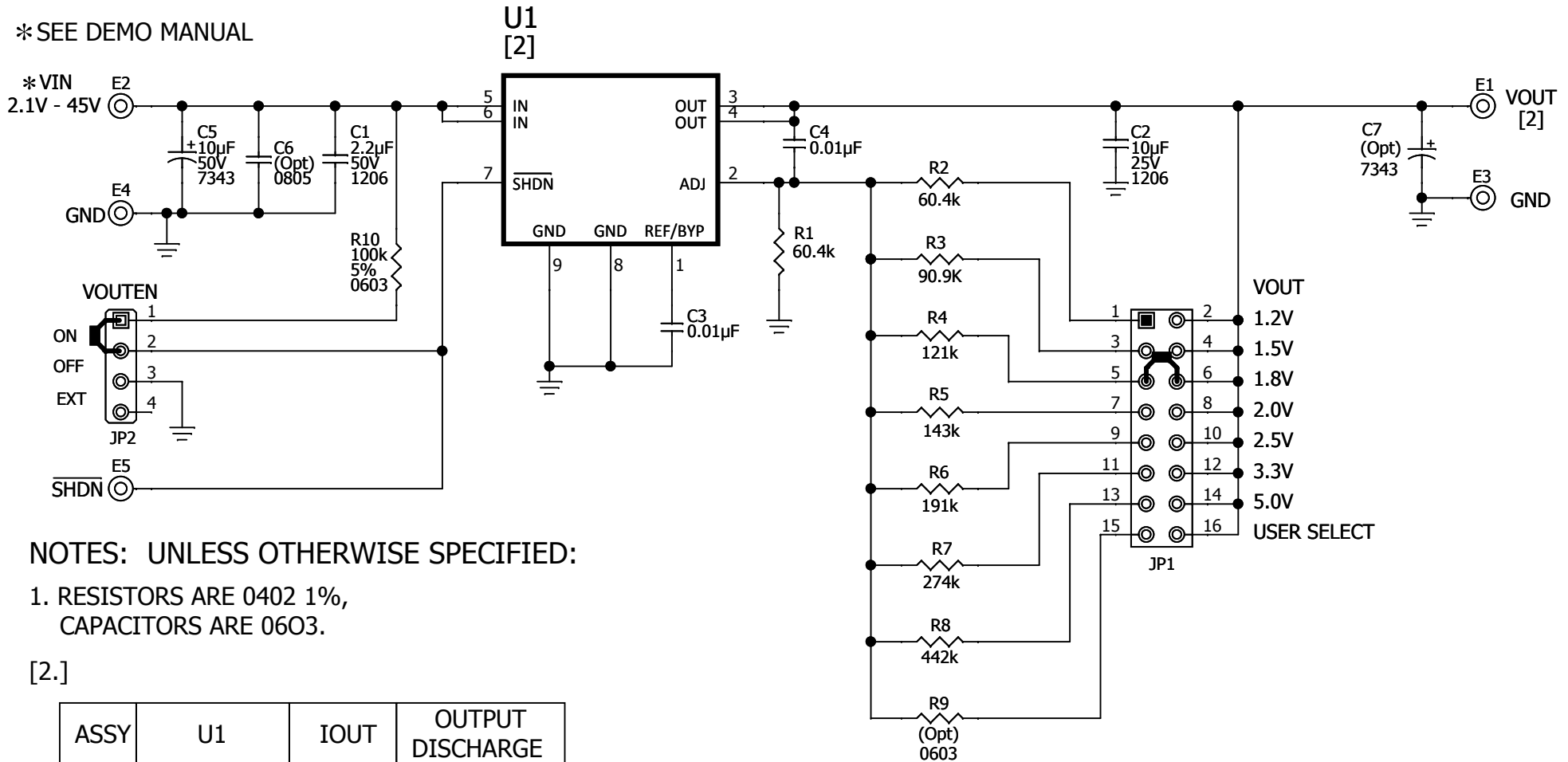


* SEE DEMO MANUAL



NOTES: UNLESS OTHERWISE SPECIFIED:

- RESISTORS ARE 0402 1%, CAPACITORS ARE 0603.

[2.]

ASSY	U1	IOUT	OUTPUT DISCHARGE
-A	LT3061EDCB	100mA	YES
-B	LT3062EDCB	200mA	NO
-C	LT3063EDCB	200mA	YES

CUSTOMER NOTICE

LINEAR TECHNOLOGY HAS MADE A BEST EFFORT TO DESIGN A CIRCUIT THAT MEETS CUSTOMER-SUPPLIED SPECIFICATIONS; HOWEVER, IT REMAINS THE CUSTOMER'S RESPONSIBILITY TO VERIFY PROPER AND RELIABLE OPERATION IN THE ACTUAL APPLICATION. COMPONENT SUBSTITUTION AND PRINTED CIRCUIT BOARD LAYOUT MAY SIGNIFICANTLY AFFECT CIRCUIT PERFORMANCE OR RELIABILITY. CONTACT LINEAR TECHNOLOGY APPLICATIONS ENGINEERING FOR ASSISTANCE.

C:\PADS PROJECTS\2177A(LT3061EDC)\SCH\2177A_REV2.DSN

THIS CIRCUIT IS PROPRIETARY TO LINEAR TECHNOLOGY AND SUPPLIED FOR USE WITH LINEAR TECHNOLOGY PARTS.

APPROVALS

PCB DES. RB

APP ENG. ANDY R.

SCALE = NONE



1630 McCarthy Blvd.
Milpitas, CA 95035 www.linear.com
Phone: (408)432-1900
Fax: (408)434-0507

LTC CONFIDENTIAL - FOR CUSTOMER USE ONLY

TITLE: SCHEMATIC
45V VIN, MICROPOWER, LOW NOISE
200mA LDO WITH OUTPUT DISCHARGE

SIZE N/A	IC NO. LT3061EDCB/LT3062EDCB/LT3063EDCB	REV. 2
-------------	---	-----------

MODIFY DATE: Jul 21, 2014 09:39:45

SHEET 1 OF 1