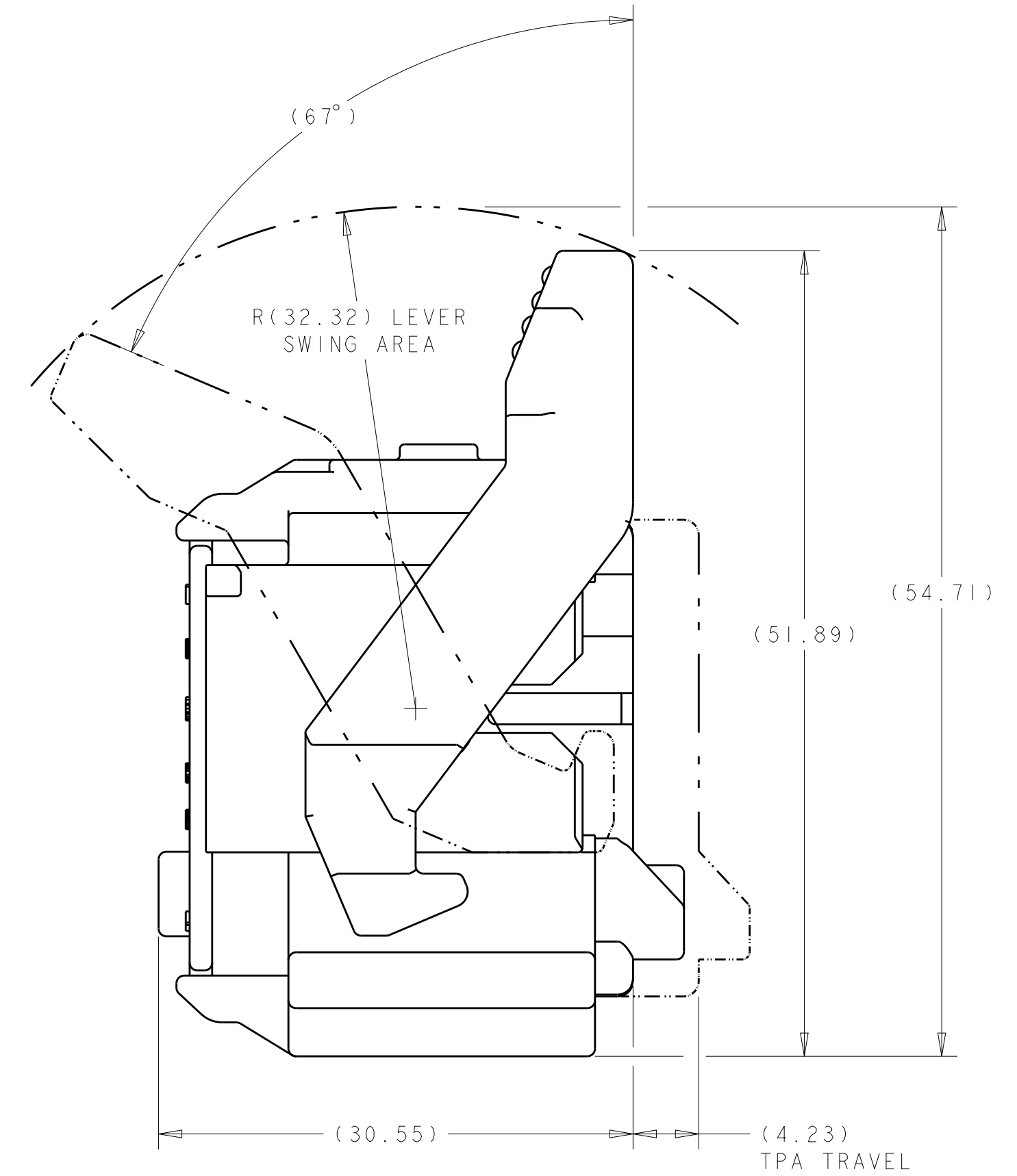
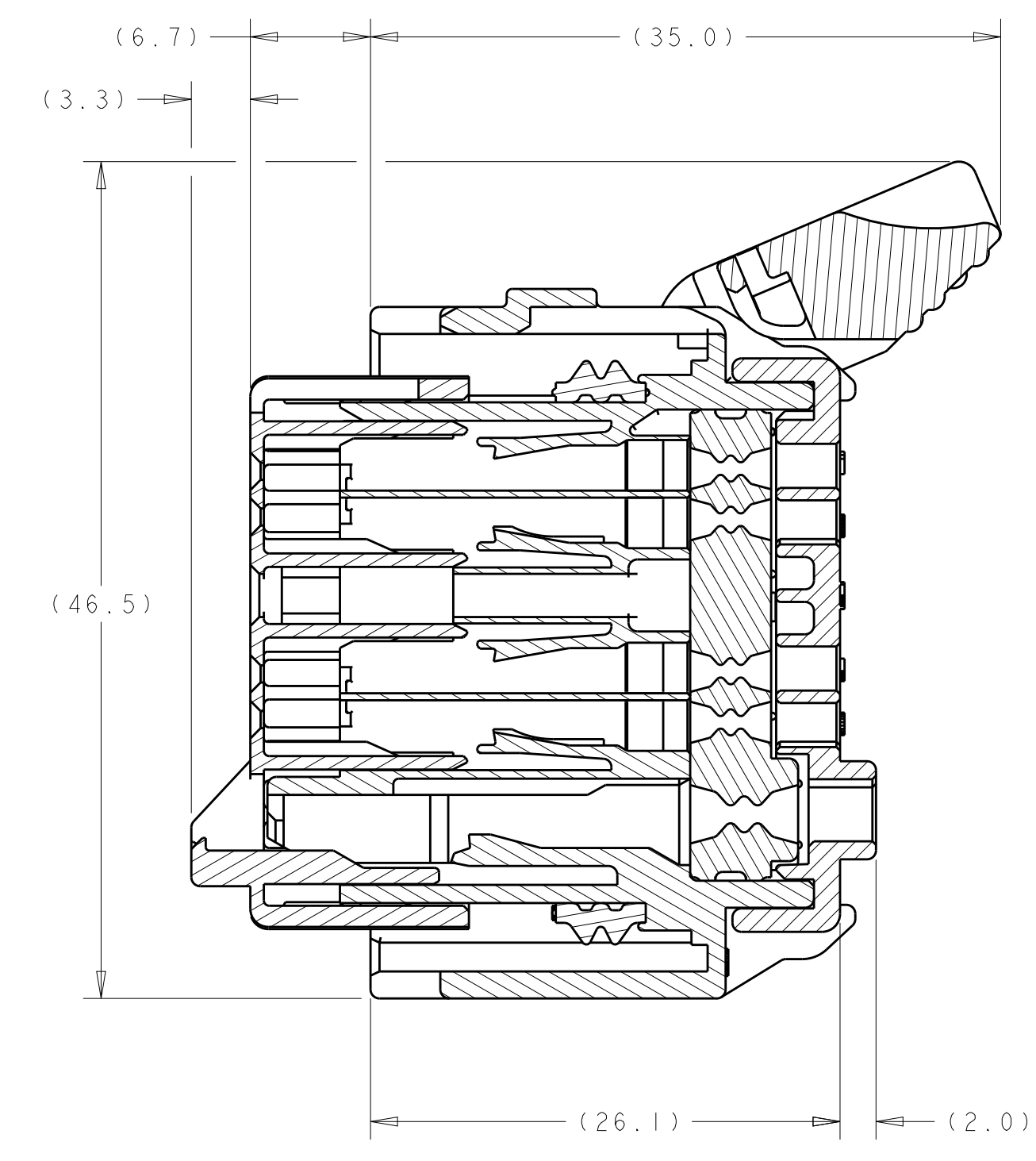
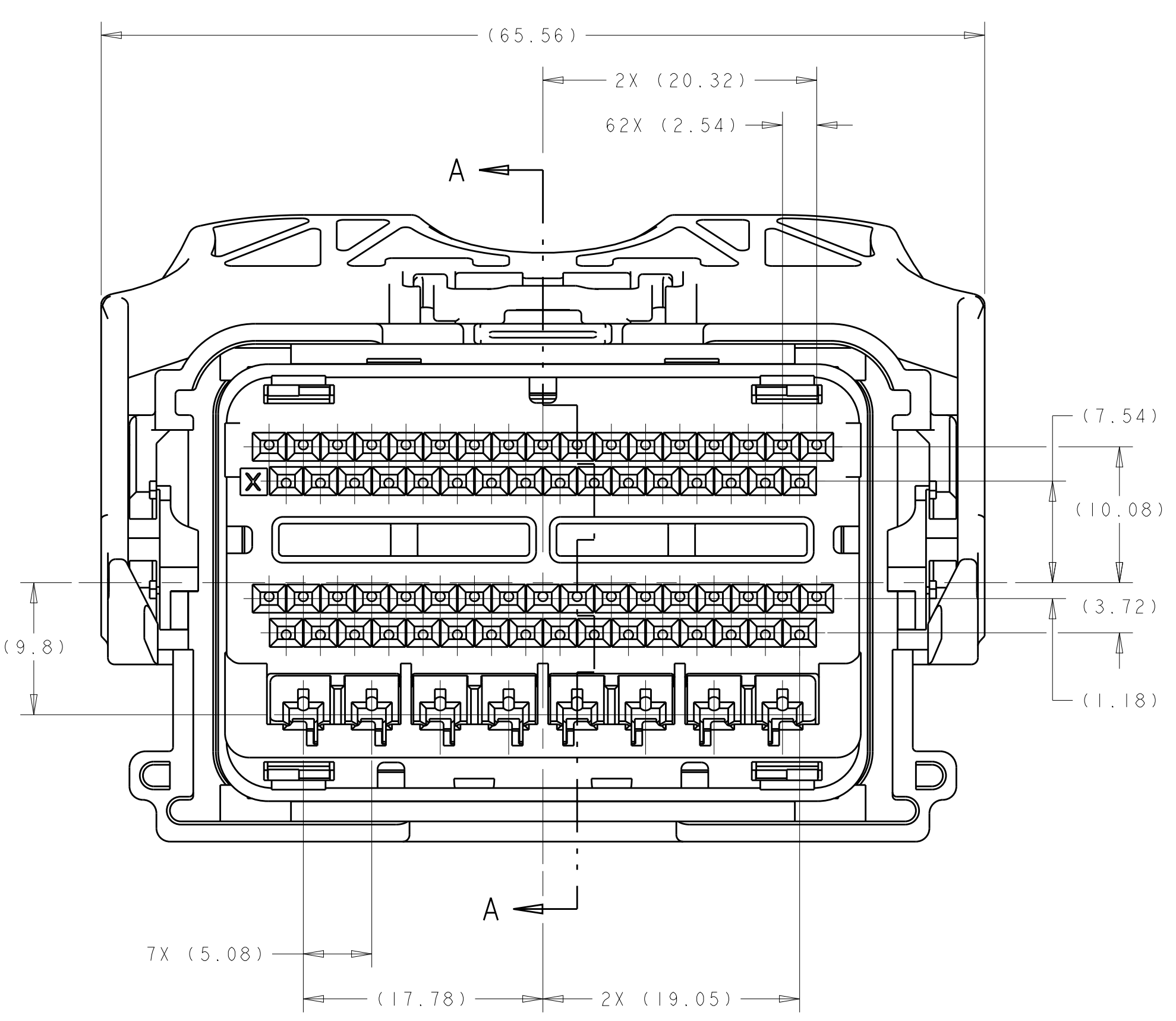


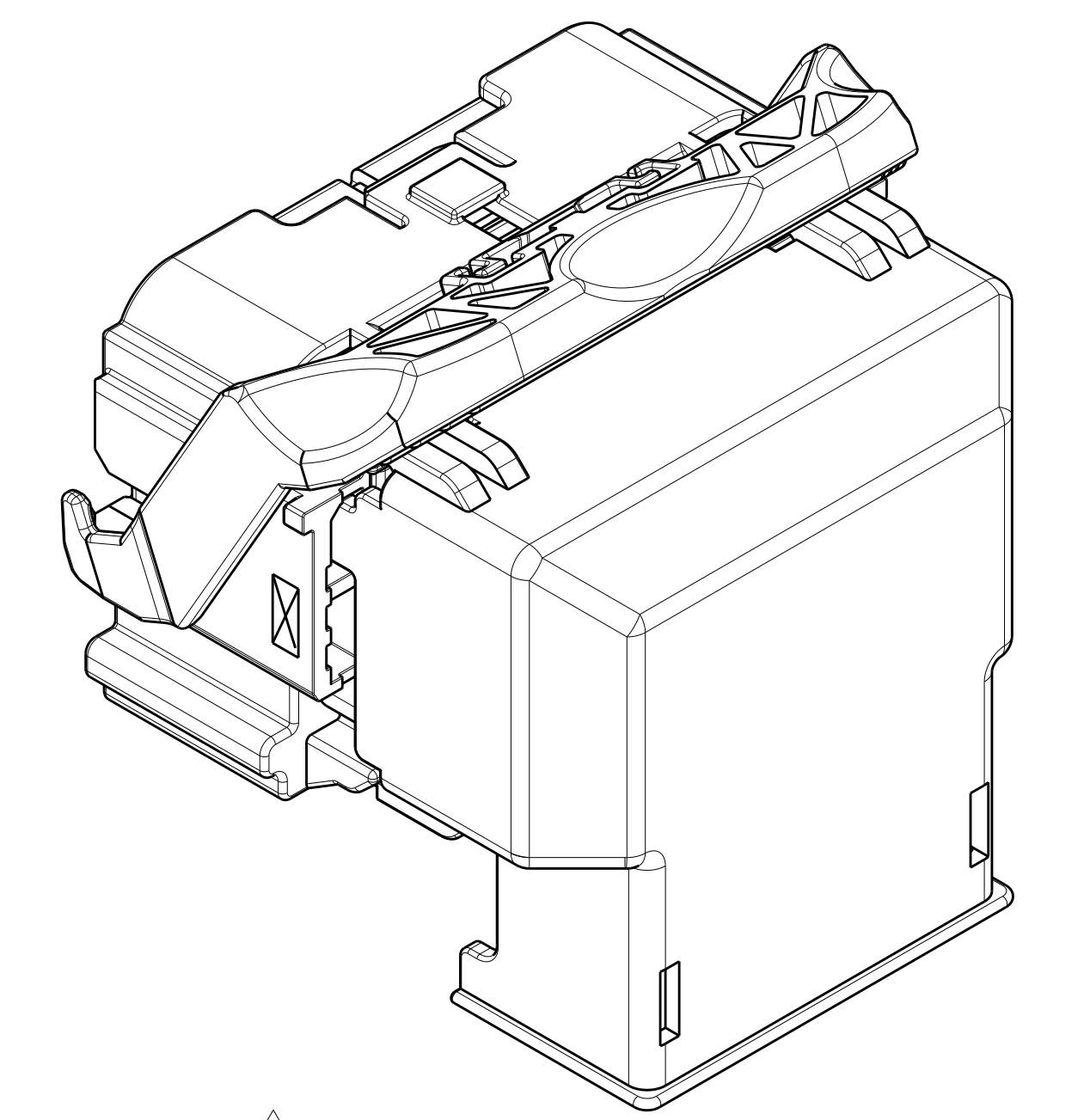
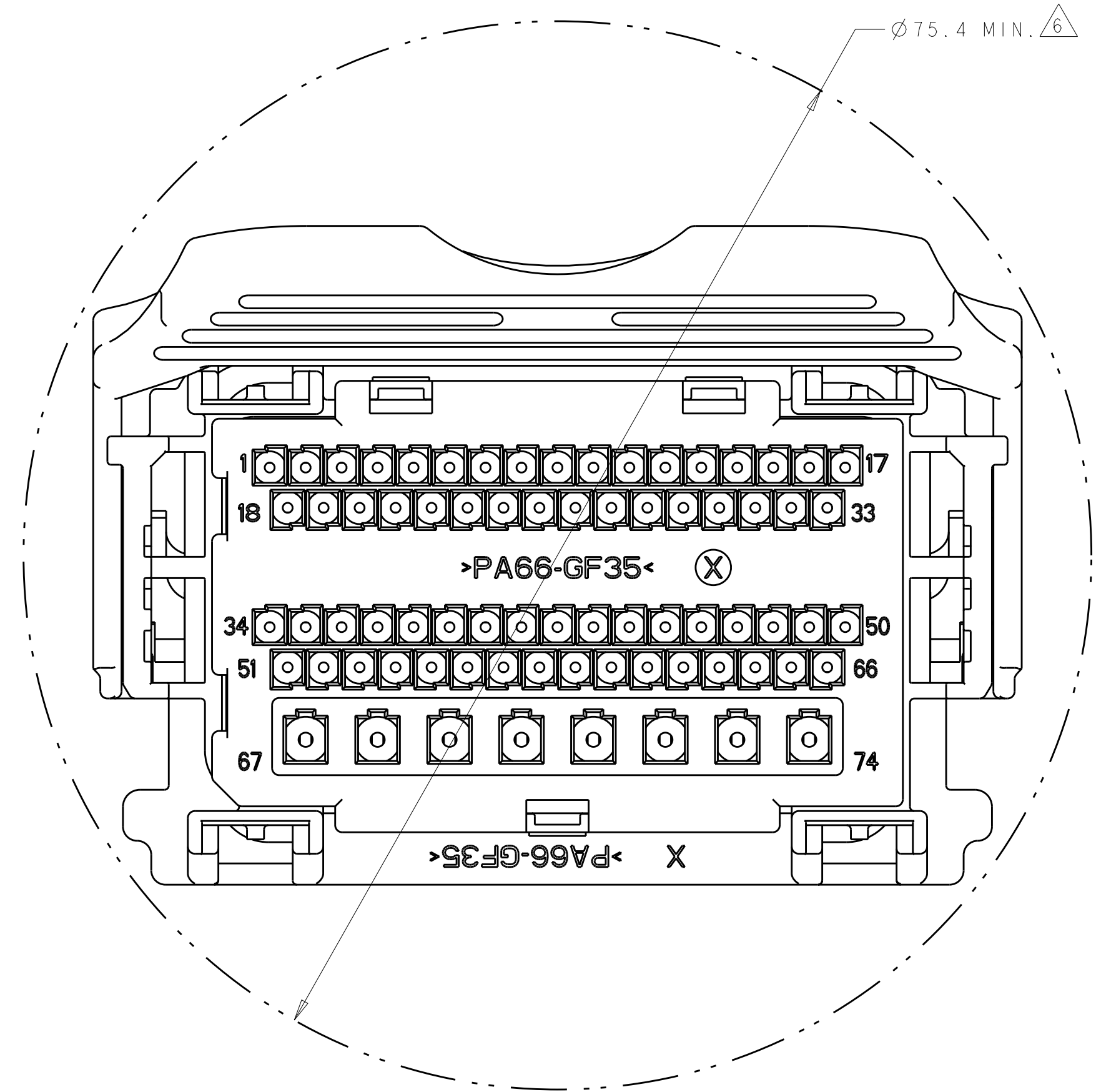
REVISIONS				
#	DATE	DESCRIPTION	DATE	APP'D
A3		REVISED PER ECO-13-008133	17MAR2013	DLD DCM
A4		REVISED PER ECO-17-001034	25JAN2017	DLD DCM
A5		REVISED PER ECO-17-007766	30MAY2017	DLD DCM



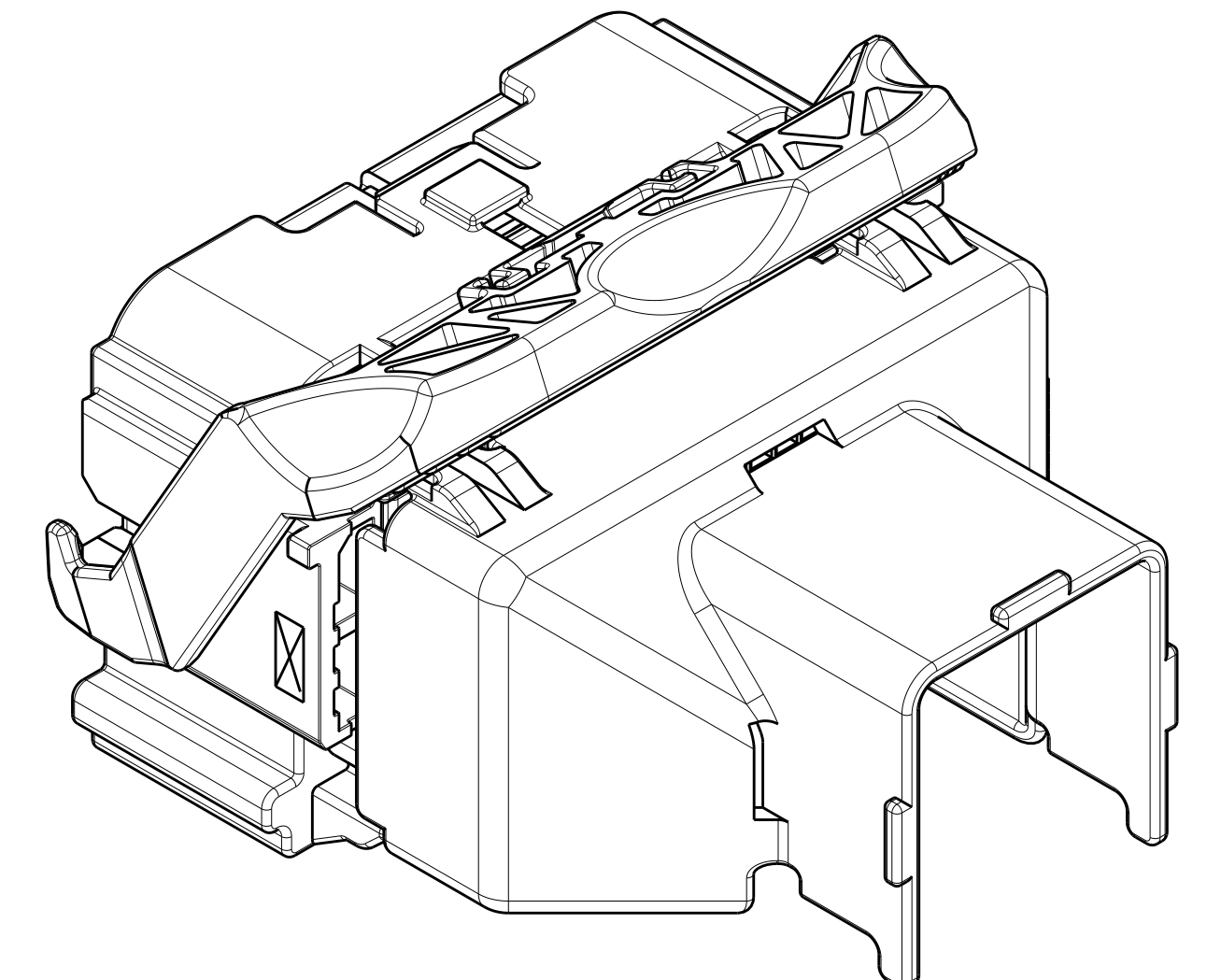
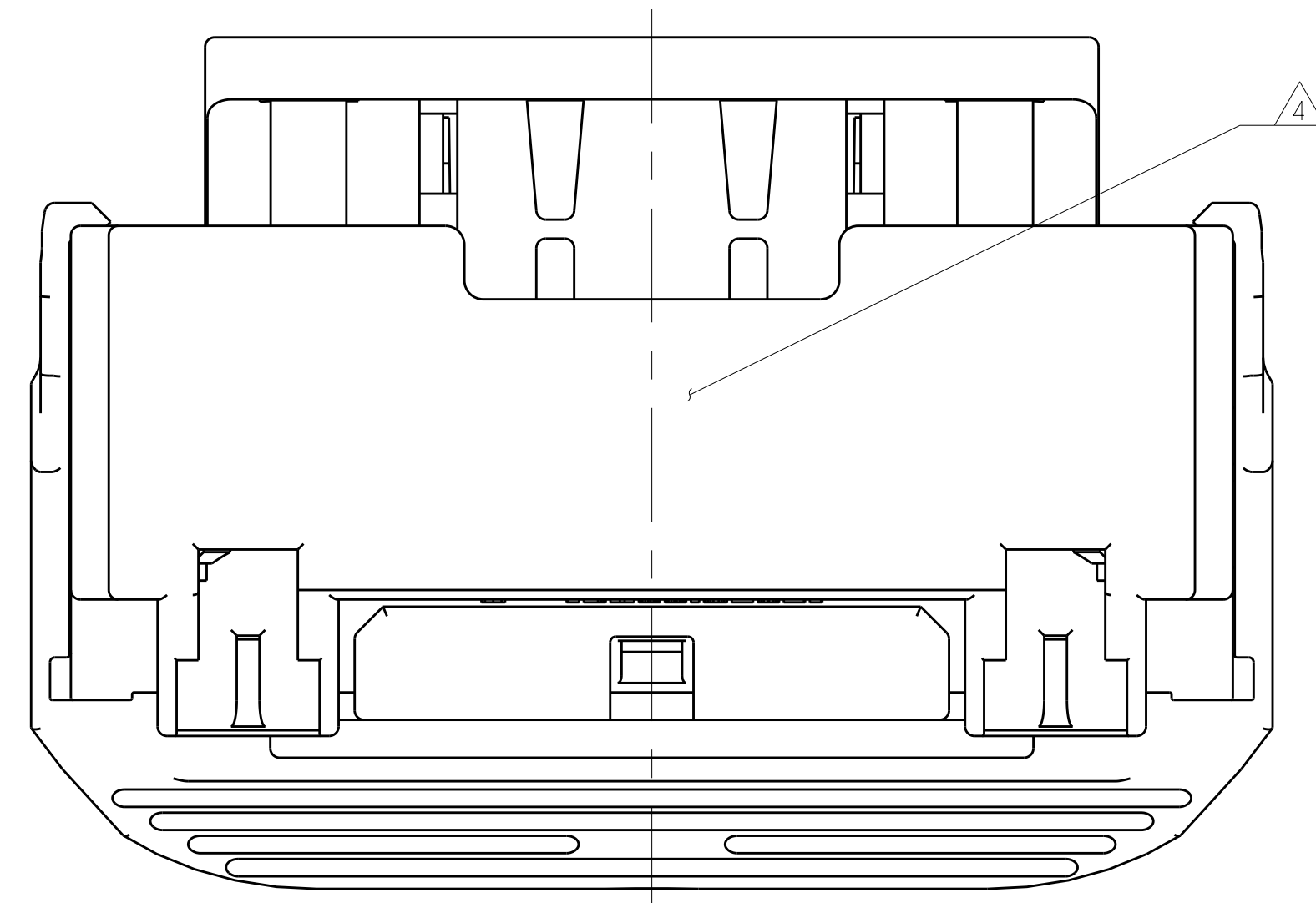
LEVER AND TPA SHOWN IN THEIR LATCHED POSITIONS FOR REFERENCE ONLY



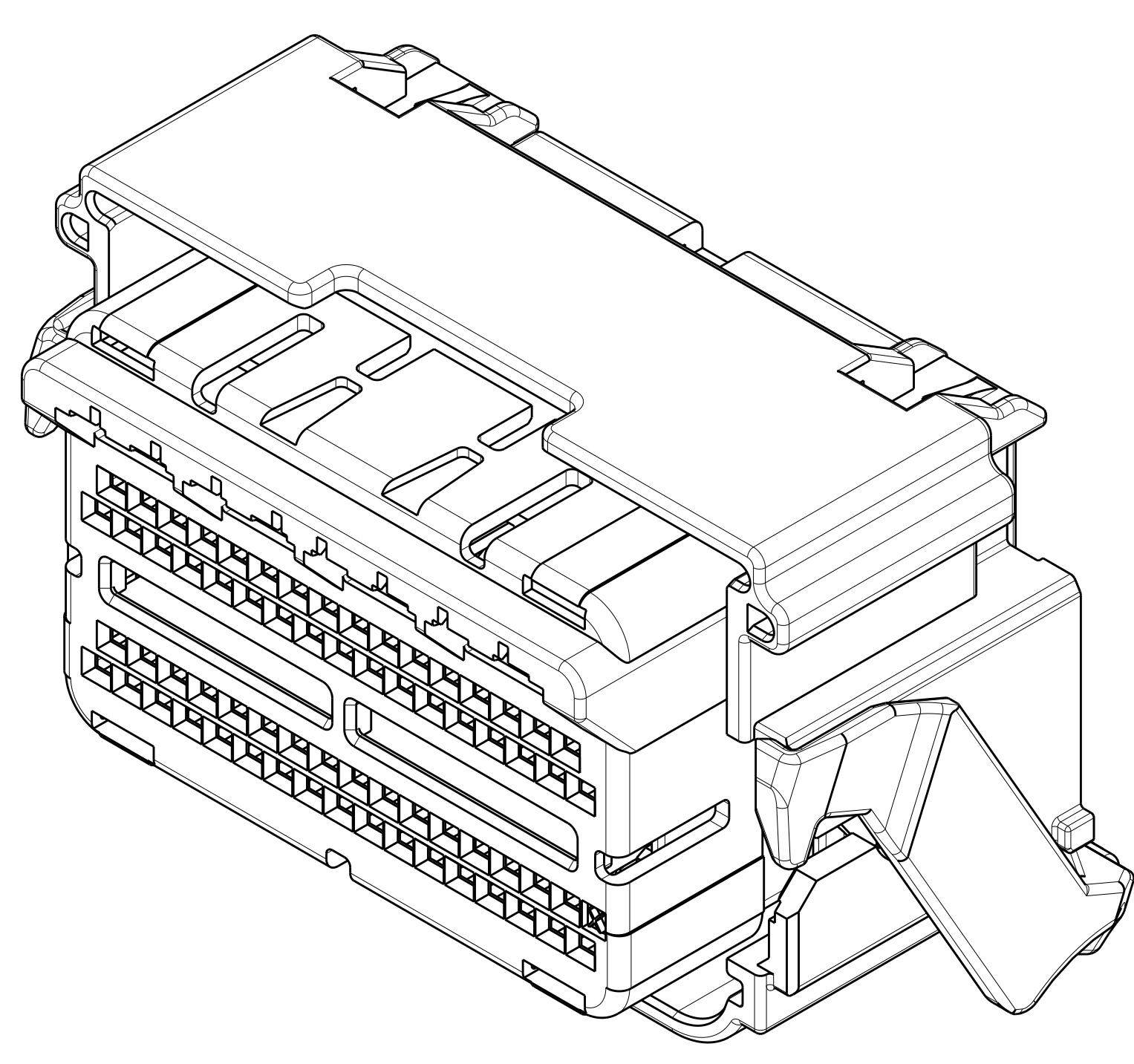
SECTION A-A SHOWING THE TPA AND LEVER IN THEIR PRE-LATCHED POSITIONS (DELIVERY CONDITION)



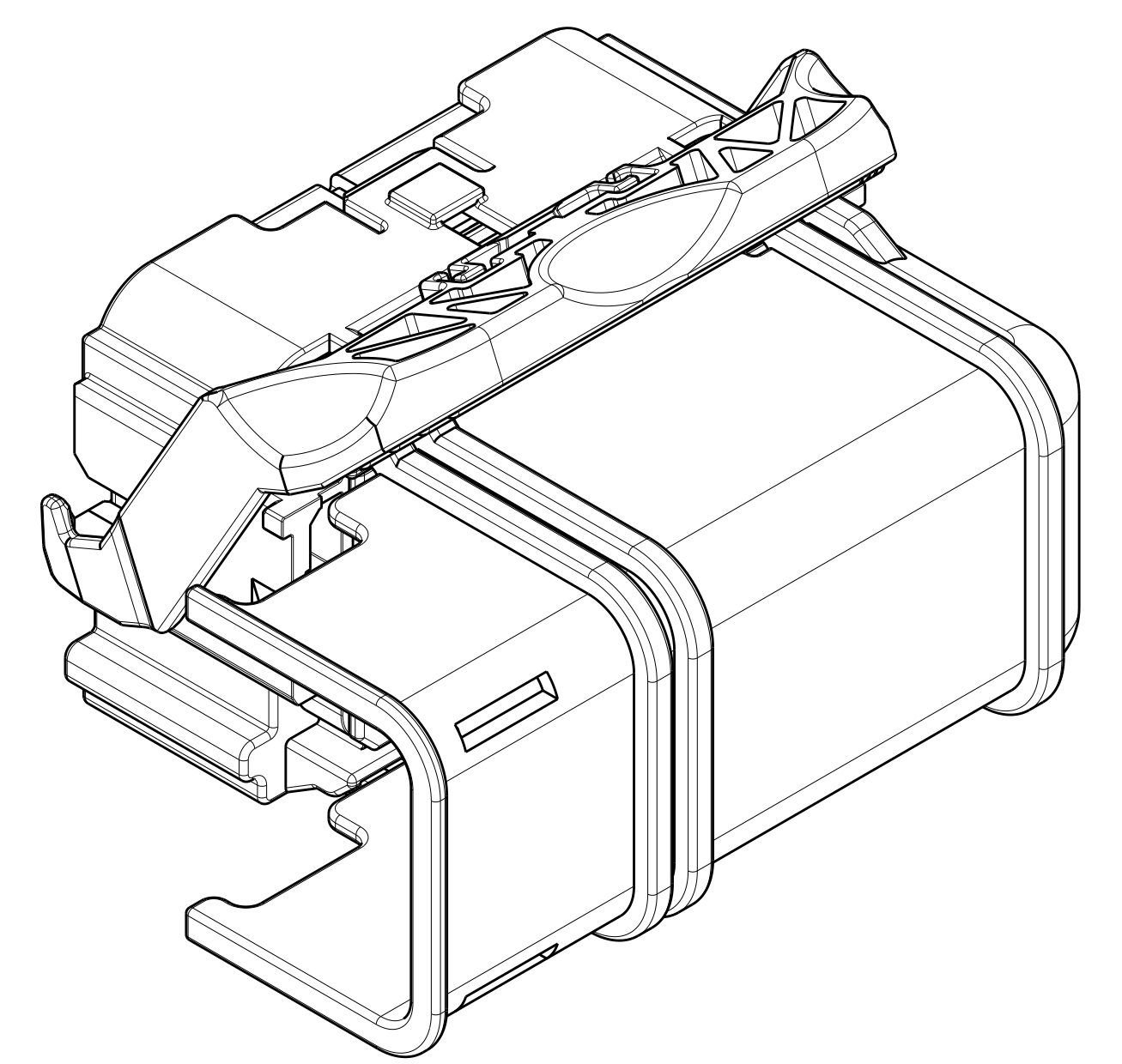
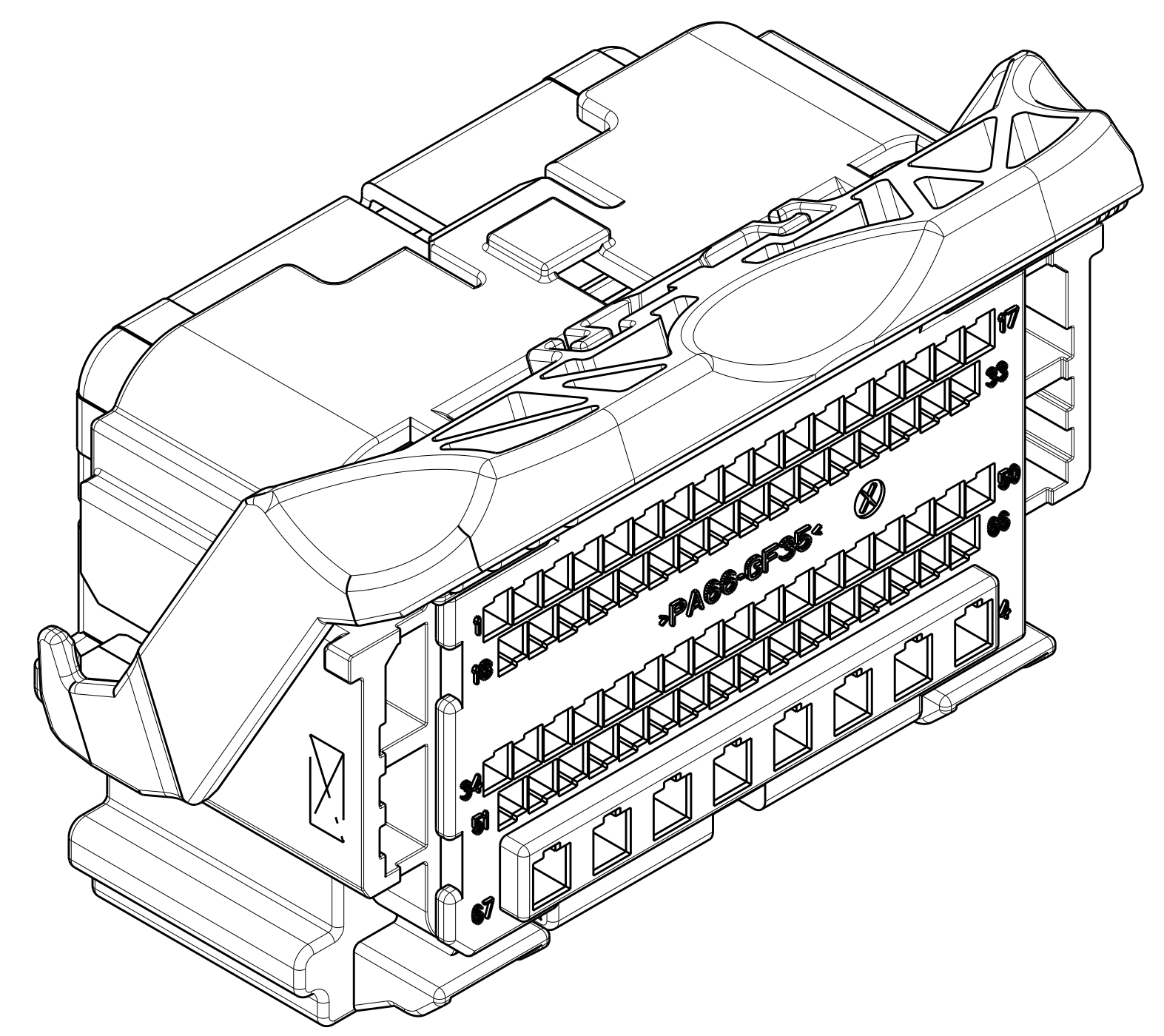
ISOMETRIC VIEW SHOWING THE OPTIONAL 90° EXIT WIRE GUIDE SCALE 2:1



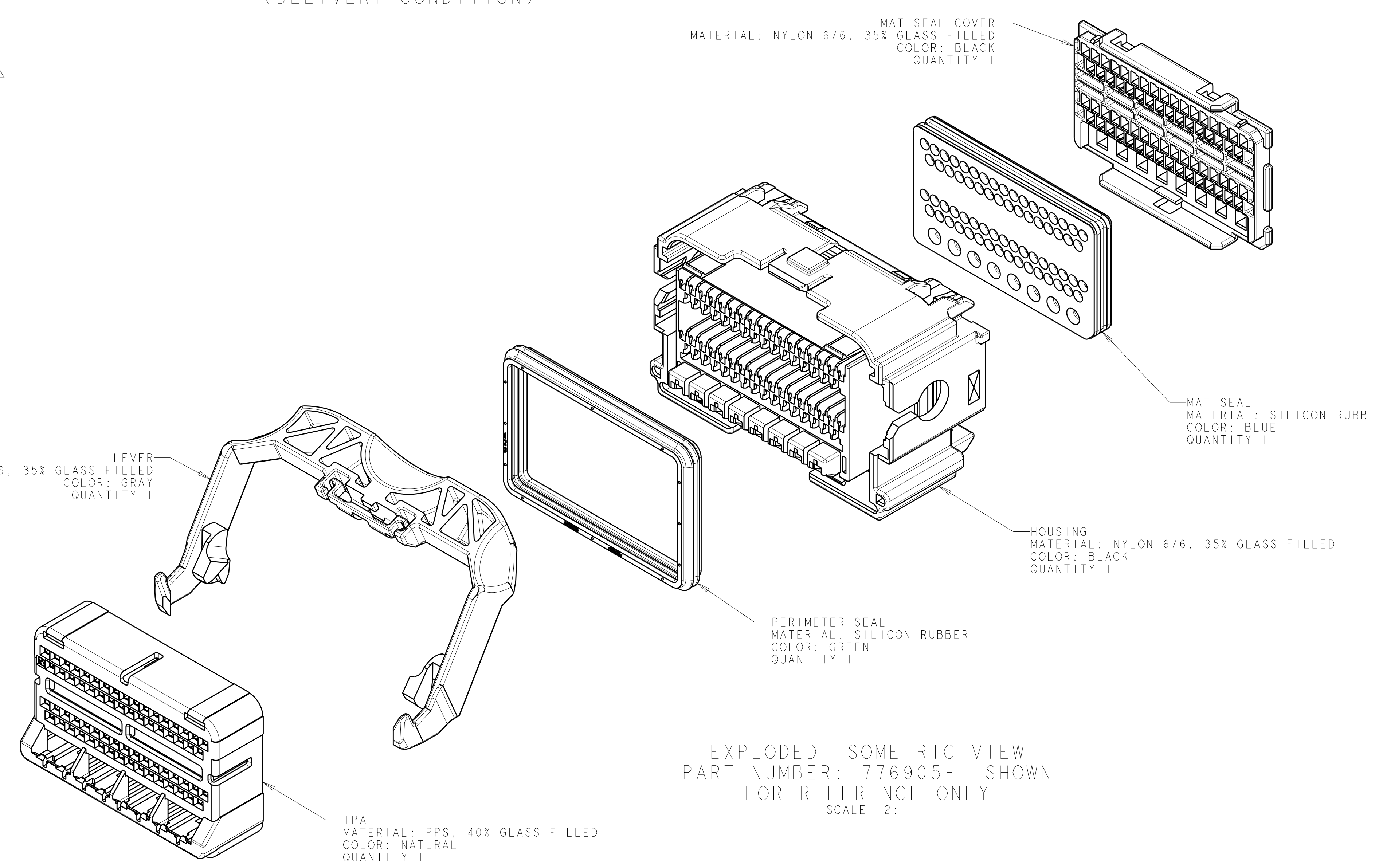
ISOMETRIC VIEW SHOWING THE OPTIONAL IN-LINE EXIT WIRE GUIDE SCALE 2:1



ISOMETRIC VIEWS



ISOMETRIC VIEW SHOWING THE OPTIONAL SIDE EXIT WIRE GUIDE SCALE 2:1



EXPLODED ISOMETRIC VIEW PART NUMBER: 776905-1 SHOWN FOR REFERENCE ONLY SCALE 2:1

- PART NUMBER 776905-1 SHOWN ON THE DRAWING.
- THE TPA AND LEVER ARE SHIPPED IN THEIR PRE-LATCHED POSITIONS.
- ASSEMBLIES ARE SHIPPED IN TRAYS.
- TRACEABILITY CODE (YY = TWO DIGIT YEAR, JJJ = THREE DIGIT JULIAN DAY, HH = TWO DIGIT MILITARY HOUR) AND CUSTOMER PART NUMBER PRINTED IN THIS LOCATION AT ASSEMBLY.
- APPLICABLE WIRE ROUTING GUIDE(S): (SOLD SEPARATELY)
1438133-1 = 90° DEGREE EXIT AWAY FROM THE LEVER
1488374-1 = IN-LINE EXIT
776880-1 = SIDE EXIT, CAN BE ROUTED LEFT OR RIGHT.
SEE SHEET 3 FOR AVAILABLE OPTIONS.
- MINIMUM FEED THROUGH CONDITION WITH 1mm CLEARANCE ALL AROUND. THIS FEED THROUGH CONDITION APPLIES TO ALL ASSEMBLIES WITH OR WITHOUT ANY OF THE WIRE ROUTING GUIDE OPTIONS.
- FOR A LIST OF APPLICABLE CONTACT TERMINALS (SOLD SEPARATELY) SEE THE APPLICABLE TERMINAL TABLE.
- APPLICABLE HEADER INTERFACE DRAWING 1456714 IS AVAILABLE UPON REQUEST. A COPY OF THIS DRAWING CAN BE OBTAINED FROM THE TYCO ELECTRONICS PRODUCT MANAGER, VIA YOUR TYCO ELECTRONICS SALES REPRESENTATIVE OR CUSTOMER SERVICE.
- THIS ASSEMBLY HAS NOT PASSED VALIDATION TESTING.
- TYCO ELECTRONICS TAKE EXCEPTION TO THE USCAR-2 MATING AND UN-MATING FORCES REQUIREMENTS UNTIL TESTING CAN BE CONDUCTED TO DETERMINE THE ACTUAL VALUES OF THE MATING AND UN-MATING FORCES.
- REFERENCE TYCO ELECTRONICS INSTRUCTION SHEET 408-8893.

APPLICABLE TERMINALS (FOR REFERENCE ONLY)						
PART NUMBER	SUPPLIER	NOMINAL TERMINAL SIZE	PLATING	METRIC WIRE SIZES	SAE WIRE SIZES	
33012-0002	MOLEX	1.5	TIN	0.50 - 1.50mm ²	16-20AWG	
1393367-2	TYCO ELECTRONICS	0.64	SILVER	0.22 - 0.35mm ²	22AWG	
1393366-2	TYCO ELECTRONICS	0.64	SILVER	0.50 - 0.75mm ²	18-20AWG	
1393365-1	TYCO ELECTRONICS	0.64	GOLD	0.50 - 0.75mm ²	18-20AWG	
1393364-1	TYCO ELECTRONICS	0.64	GOLD	0.22 - 0.35mm ²	22AWG	

THIS DRAWING IS A CONTROLLED DOCUMENT.

DATE: 31 AUG 2006	BY: FORLSK
CHK: VALASEK	DATE: 31 AUG 2006
APP'D: RAY	DATE: 31 AUG 2006

NAME: PLUG ASSEMBLY, 74 WAY, SEALED, HYBRID, FEMALE

SIZE: CASE CODE: DRAWING NO: A000779C=776905

CUSTOMER DRAWING

SCALE: 3:1 SHEET 1 OF 3

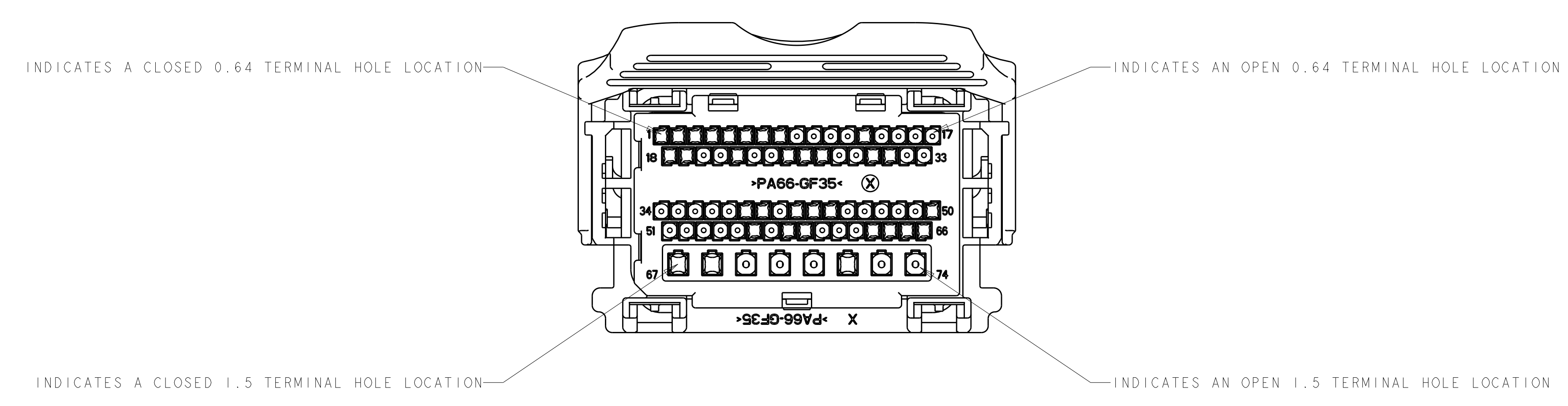
SEE SHEET 2 FOR AVAILABLE PIN-OUT OPTIONS

REVISIONS			
NO.	DATE	DESCRIPTION	BY
1		SEE SHEET 1	

TE	74	65	64	61	57	55	54	51	50	49	48	41	36	33	27	26	25	23	22	21	20	15	11	10	9	8	6	5	4	FORD		
																															1-776905-3	9U5T-14A464-BA-007
																															1-776905-2	9U5T-14A464-BA-006
																															1-776905-1	9U5T-14A464-BA-005
																															1-776905-0	9U5T-14A464-BA-004
																															776905-9	9U5T-14A464-BA-003
																															776905-8	9U5T-14A464-BA-002
																															776905-7	9U5T-14A464-BA-001
																															776905-1	9U5T-14A464-BA-000

TERMINAL HOLE LOCATION		TE PART NUMBER	FORD PART NUMBER
BLANK CAVITIES INDICATES OPEN TERMINAL HOLE LOCATIONS			
CAVITIES WITH A NUMERIC SYMBOL INDICATES CLOSED TERMINAL HOLE LOCATIONS			

PIN-OUT CHART FOR KEYING OPTION A



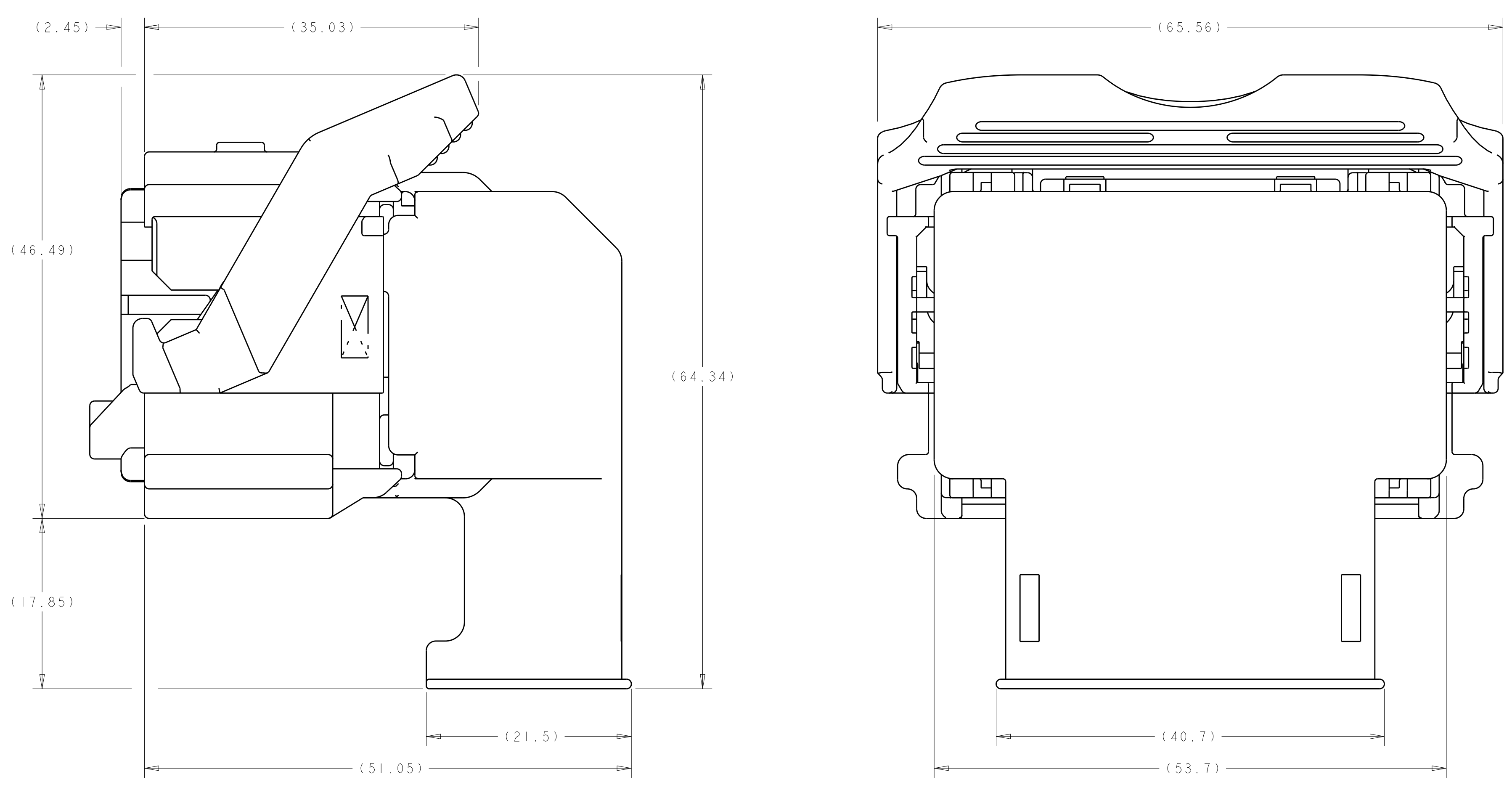
THIS DRAWING IS A CONTROLLED DOCUMENT. DATE: 31 AUG 2006. BY: W. FORLIS. CHK: A. VALASKI. APD: W. RAY. NAME: PLUG ASSEMBLY, 74 WAY, SEALED, HYBRID, FEMALE.

DIMENSIONS: 0 PLG 8, 1 PLG 85.3, 2 PLG 85.10, 3 PLG 85.1. MATERIAL: FINISH: WEIGHT:

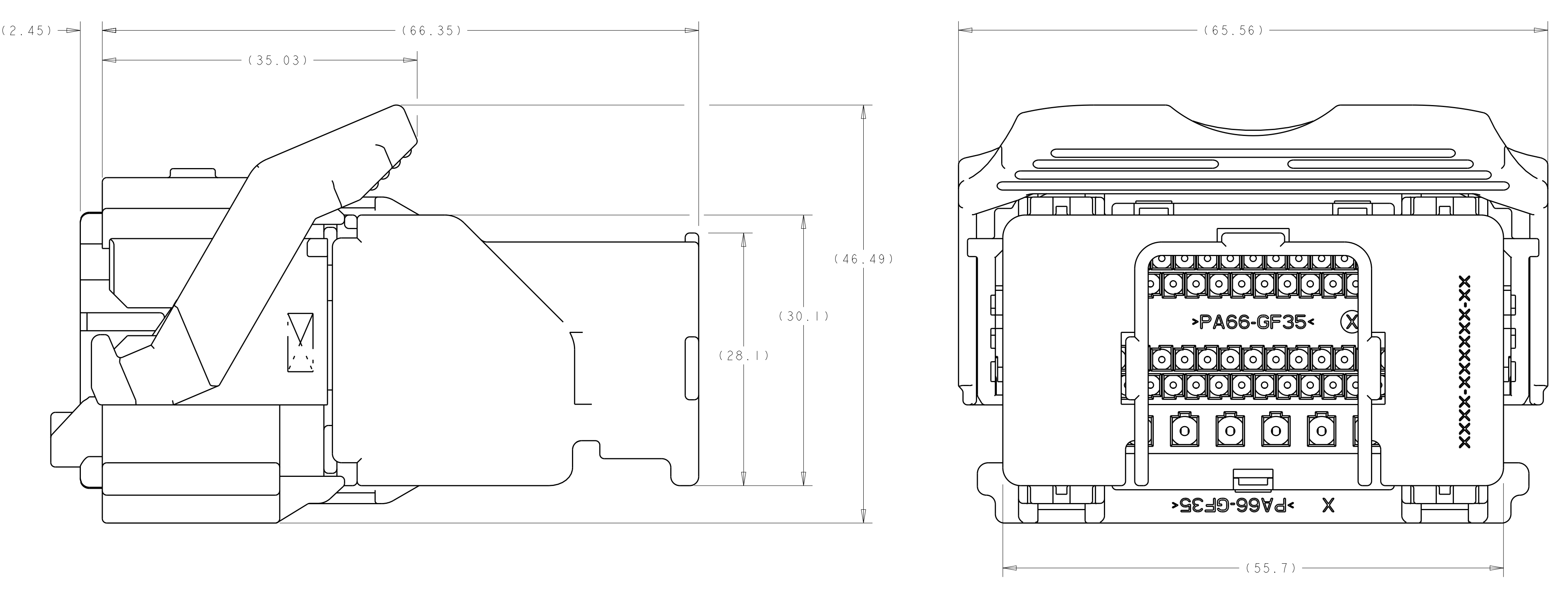
SCALE: 3:1 SHEET 2 OF 3 REV: A.5

REVISIONS			
REV	DATE	BY	APPV
1			
2			
3			
4			
5			
6			
7			
8			

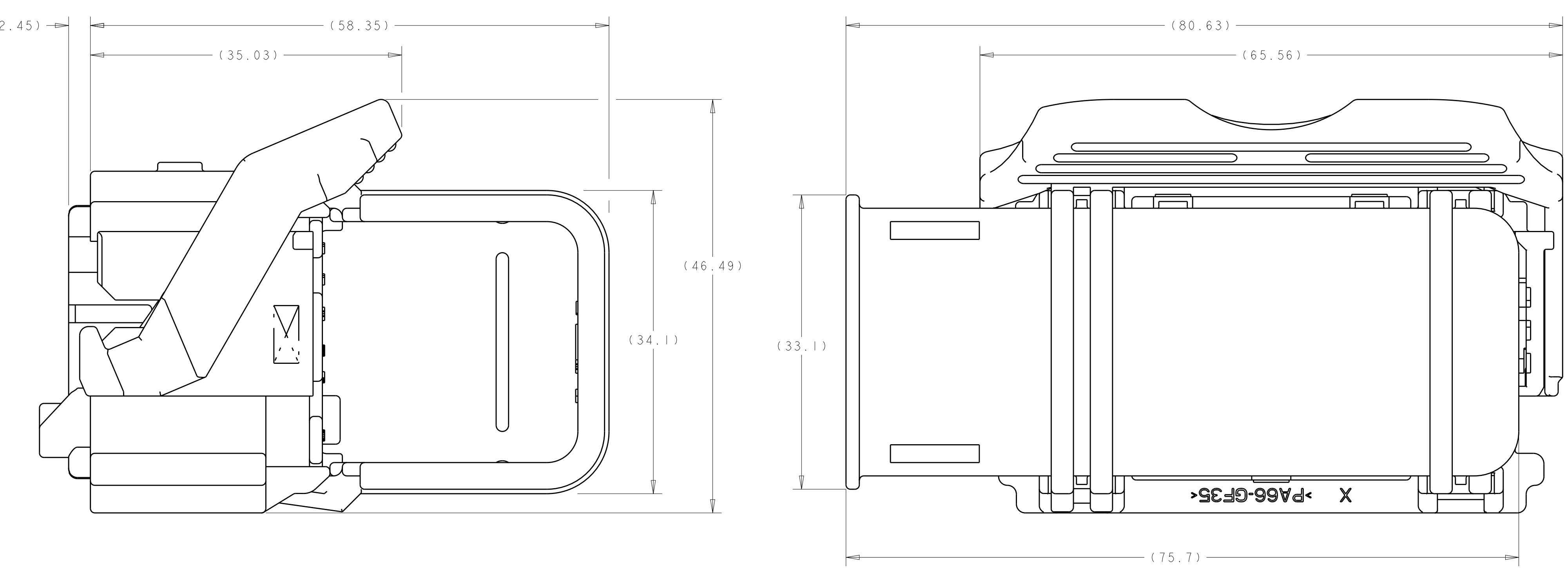
WIRE ROUTING GUIDE OPTIONS



OPTION #1: 90° EXIT

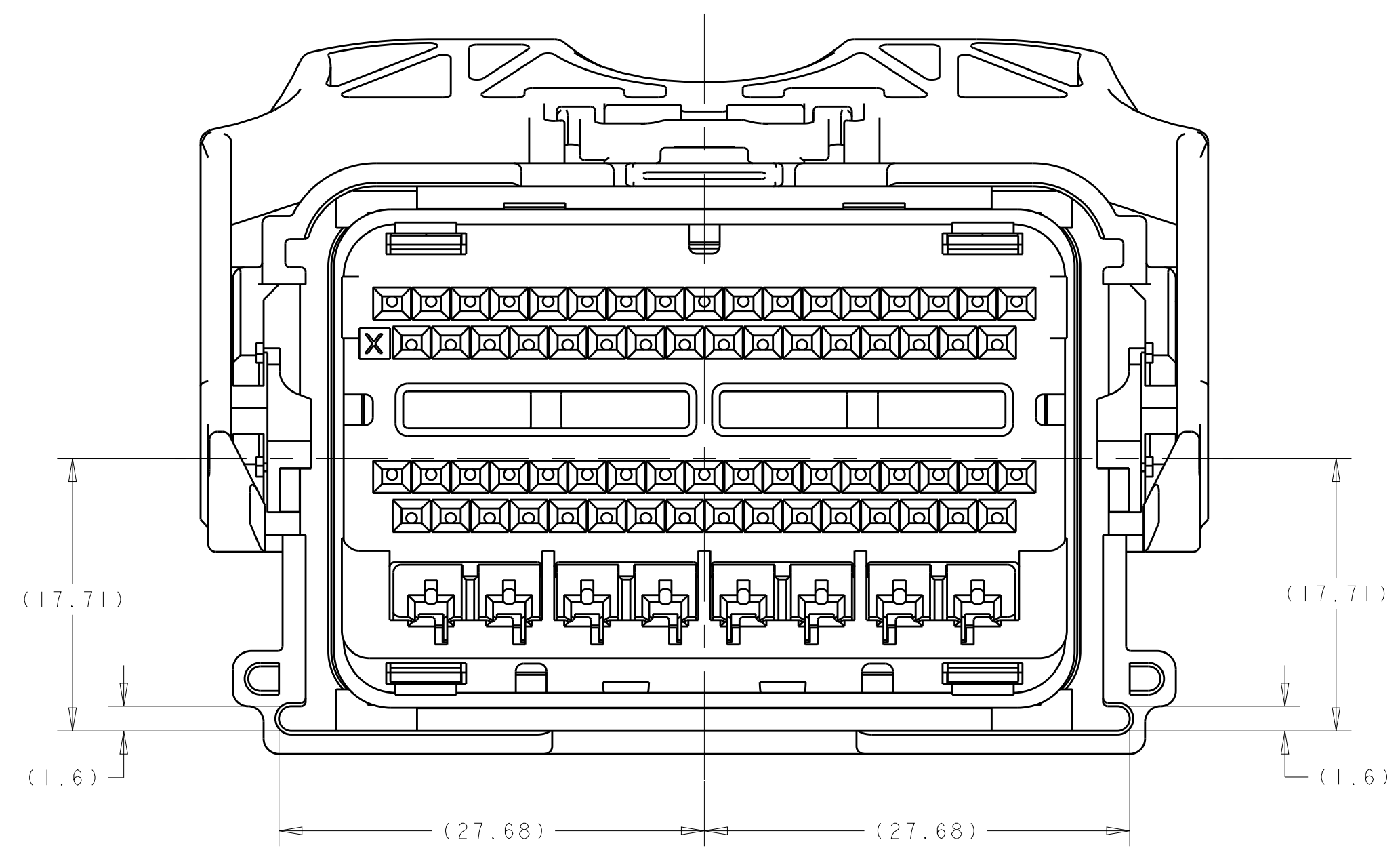


OPTION #2: IN-LINE EXIT

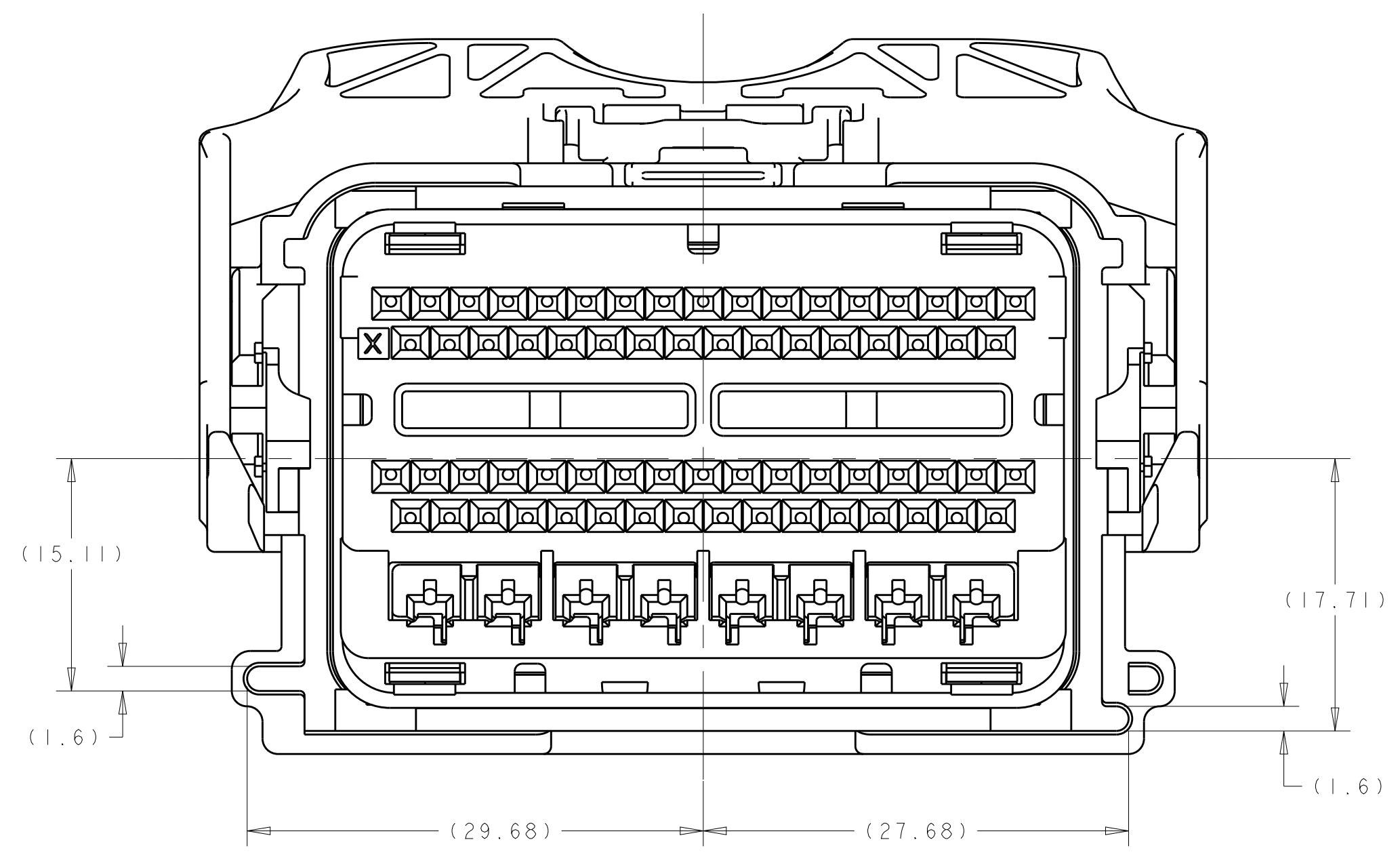


OPTION #3: SIDE EXIT (EITHER RIGHT EXIT OR LEFT EXIT)

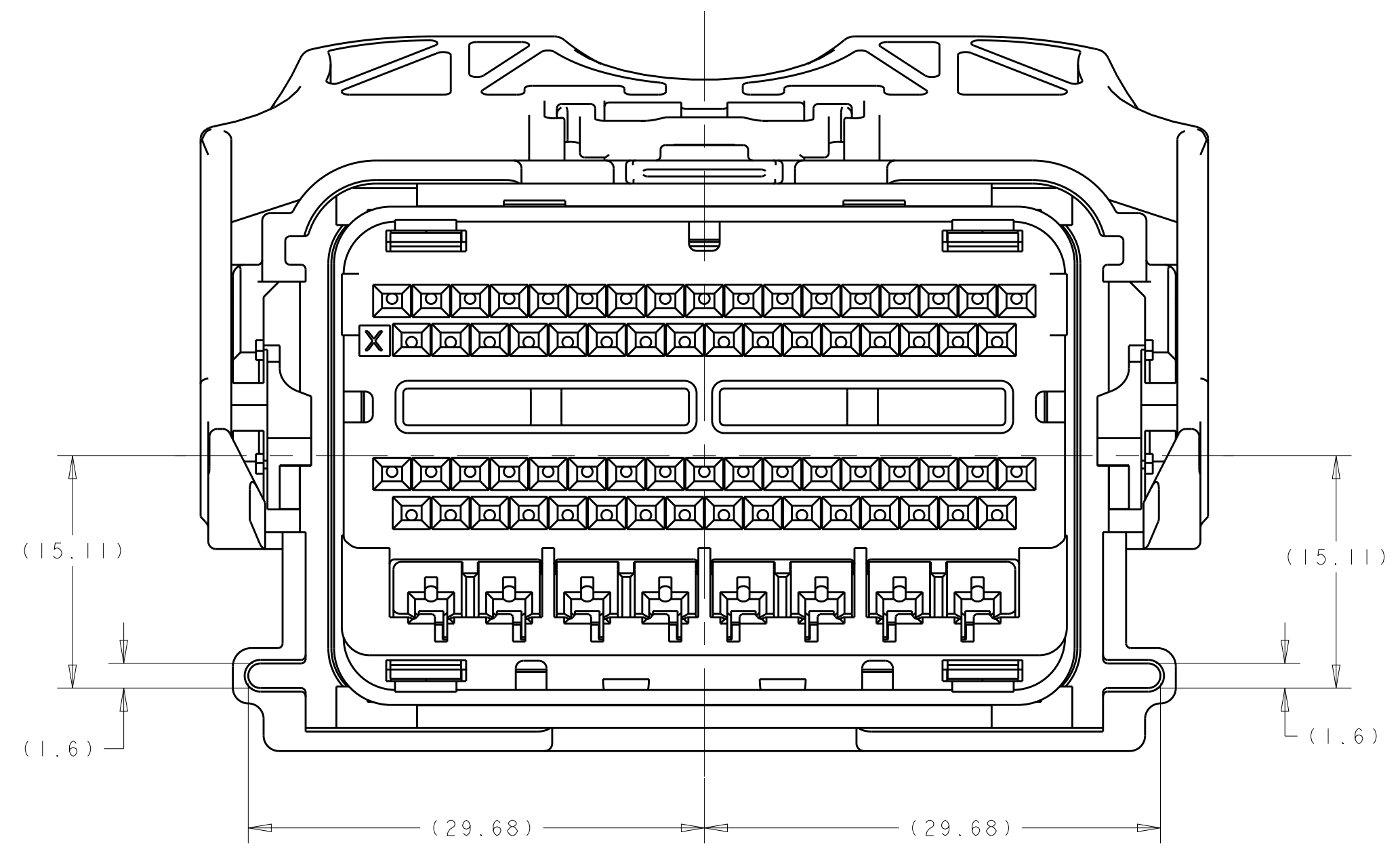
KEYING OPTIONS



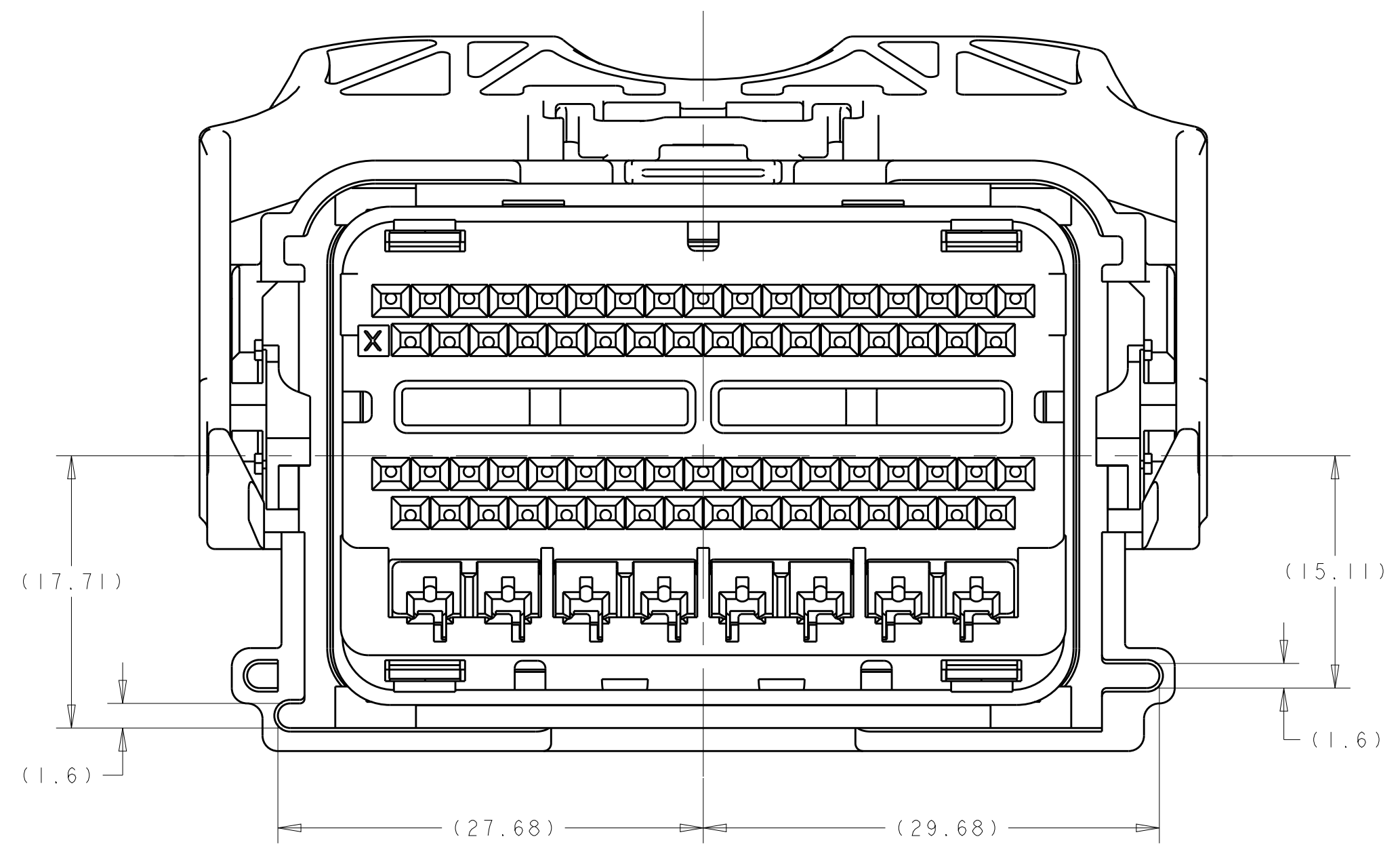
KEY A



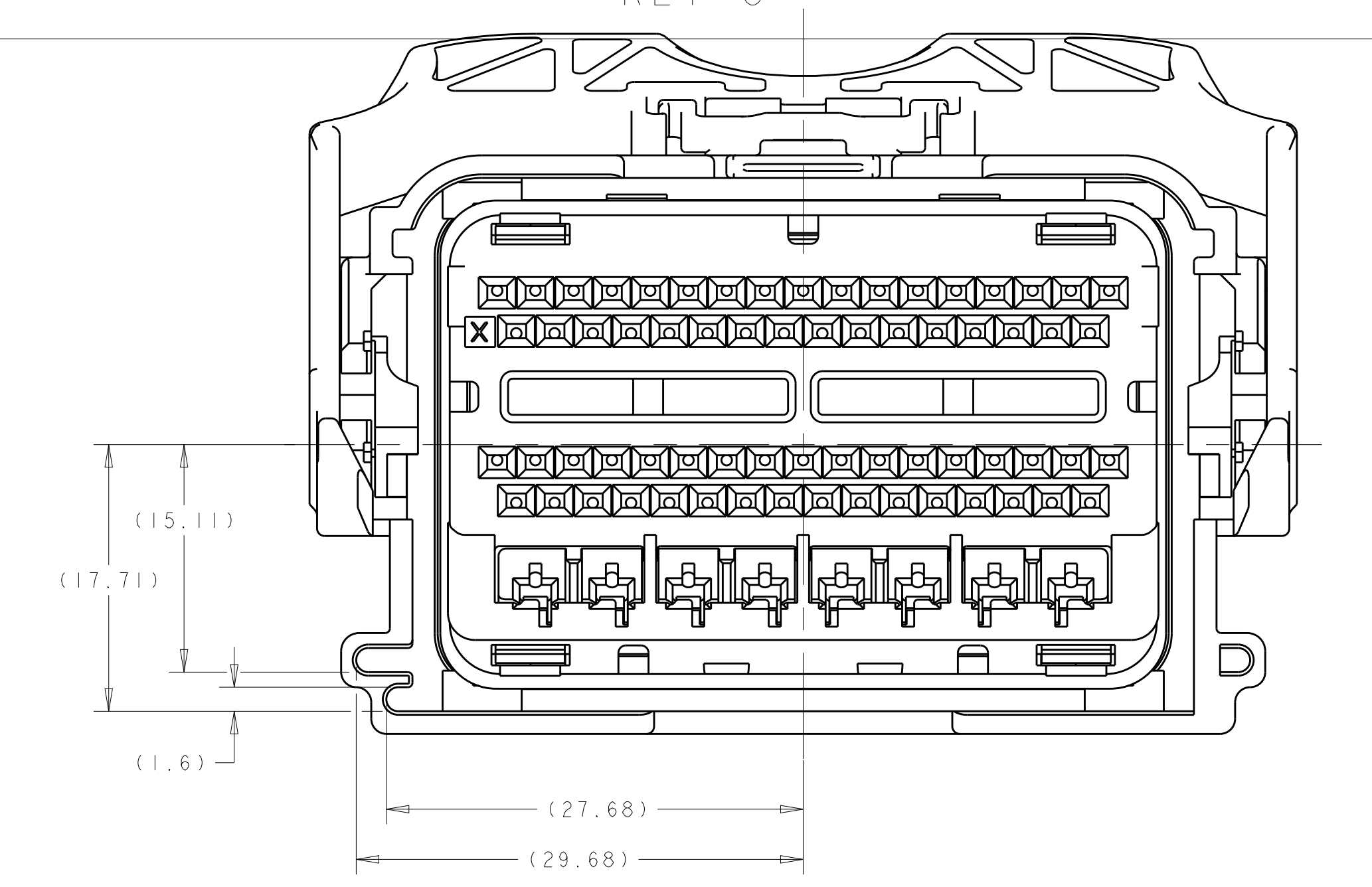
KEY B



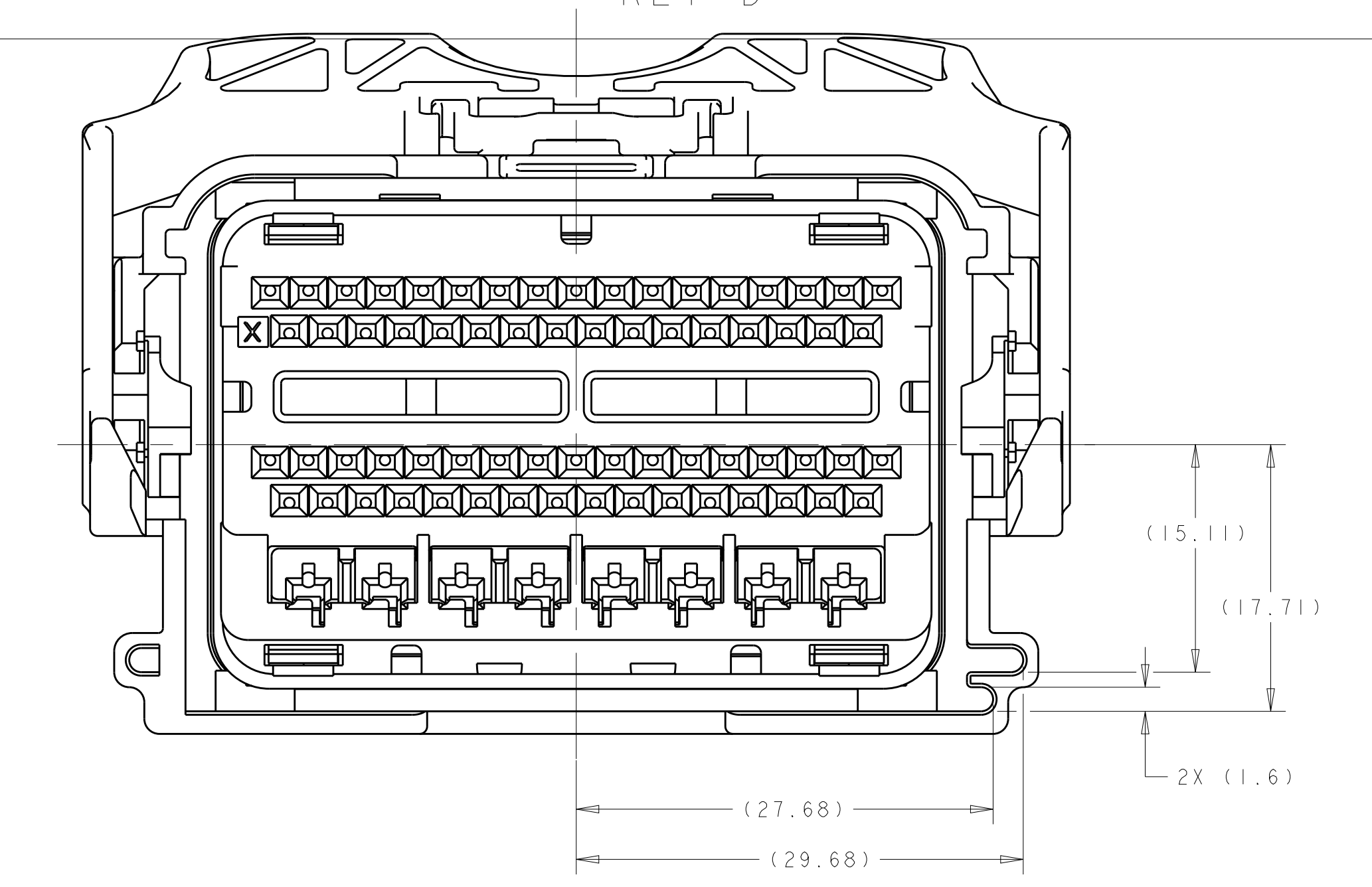
KEY C



KEY D



KEY E



KEY F

THIS DRAWING IS A CONTROLLED DOCUMENT.		DATE FOR ISSUE: 31 AUG 2006	 TE Connectivity
DIMENSIONS: UNLESS OTHERWISE SPECIFIED, DIMENSIONS ARE IN MILLIMETERS.		DATE FOR PUBLICATION: 31 AUG 2006	
0 PLC	0	DATE FOR PUBLICATION: 31 AUG 2006	NAME: PLUG ASSEMBLY, 74 WAY, SEALED, HYBRID, FEMALE SIZE: CASE CODE: DRAWING NO: A000779 © 776905 SCALE: 3:1 SHEET 3 OF 3 REV: A5
1 PLC	1	DATE FOR PUBLICATION: 31 AUG 2006	
2 PLC	2	DATE FOR PUBLICATION: 31 AUG 2006	
3 PLC	3	DATE FOR PUBLICATION: 31 AUG 2006	
MATERIAL: PA66-GF35		DATE FOR PUBLICATION: 31 AUG 2006	RESTRICTED TO:
FINISH: -		DATE FOR PUBLICATION: 31 AUG 2006	CUSTOMER DRAWING